



MK30D green



Mobile refrigerant dehumidifier

Features

- High dehumidification capacity
- Environmentally friendly refrigerant R454C
- Robust construction
- High mobility
- Digital multifunctional display
- Built-in RH/T sensor for hygostat function
- Automatic defrostcycle using hotgas bypass
- Maintenance and service friendly design



Efficient, environmentally friendly dehumidification

Mobile refrigerant dehumidifier MK30D green with digital multifunctional display

Modern technology can only be accomplished with the help of digital components. Consequently Munters MKD green series, utilizing a built-in RH/T sensor in combination with the digital multifunctional display, guarantees intelligent as well as cost effective dehumidification.

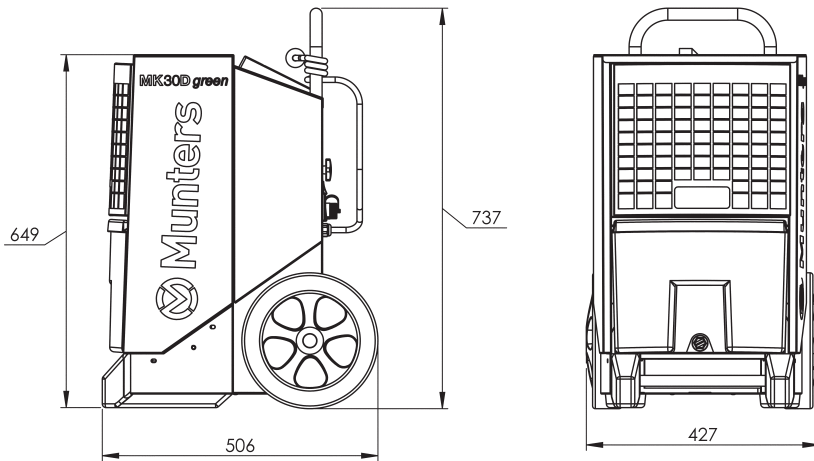
Their most suitable area of use is within the water and fire damage restoration business as well as the construction industry. Of course they also protect pipes and fittings from corrosion and condensate in waterworks. They can also be used reducing relative humidity in storage rooms, cellars, archives and other limited storage spaces. The dehumidifiers are equipped with adjustable handles to increase flexibility. For higher mobility as well as protection of inventory bumpers and wheels are covered with rubber. Accessories like drainage pump, external hygostat and wall brackets put the finishing touch to the Munters MKD green dehumidifiers.

According to the EU regulation, fluorinated greenhouse gases are to be continuously reduced until 2030. The environmentally friendly refrigerant R454C which is implemented in the Munters MKD green series of dehumidifiers individually contributes to environmental protection.

The dehumidification as such takes place in the cooling coil (evaporator) of the dehumidifier following the principle of a water trap. An axial fan pulls ambient air through a coil cooling the air below dew point. Water condensates and is collected in a water tank or directly through a drainage hose. The cooled and dehumidified air is pulled further through a heating coil (condenser) and regains its heat. The additional heat of the compressor results in a slight increase of temperature. By recirculating the air the dehumidification happens fast, effective and careful.



Dimensions

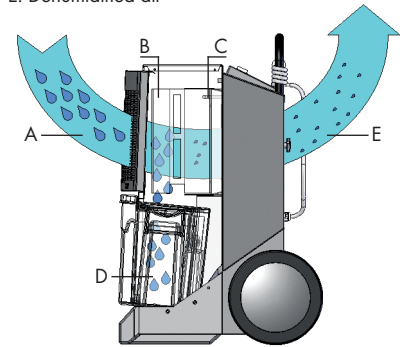


Technical specifications

Drying capacity	
Moisture removal; 30°C, 80% (kg/24h)	31,9
Moisture removal; 20°C, 60% (kg/24h)	15,1
Moisture removal; 10°C, 70% (kg/24h)	8,9
Miscellaneous Data	
Relative humidity (%)	40 - 100
Temperature (°C)	3 - 35
Rated voltage (V/Hz)	230/50
Rated current (A)	3,6
Rated power (W)	800
Energy consumption 30°C, 80% (kWh/kg)	0,53
Air delivery (m³/h)	250
Refrigerant type	R454C
Refrigerant mass (g)	410
Water tank capacity (l)	7
Weight (kg)	34
Noise level max. (dB, A)	56
Protection class (IP)	X4
Cable Length (m)	3,5

Schematic picture

- A: Ambient air
- B: Evaporator
- C: Condenser
- D: Water tank
- E: Dehumidified air



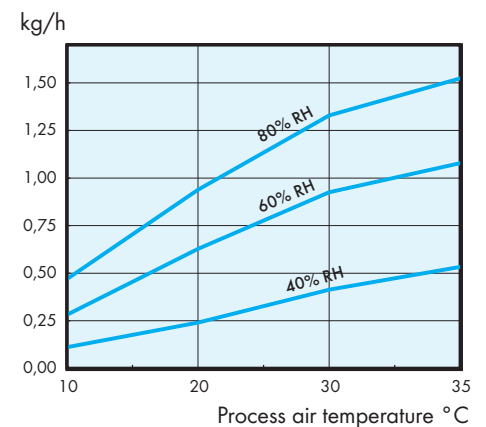
Features

- Mobile
- Flexible
- Robust
- Automatic defrost (hotgas bypass)
- Digital multifunctional display
- Built-in RH/T sensor for hygrostat function
- Hour meter
- External signal for Operation and Alarm
- Socket for external hygrostat
- Water tank
- 3.5 m cable length

Options

- Drainage pump installed in water tank
- External hygrostat
- Wall brackets

Dehumidification capacity



 **Munters**

Find your nearest Munters office at www.munters.com

Munters reserves the right to make alterations to specifications, quantities, etc., for production or other reasons, subsequent to publication. © Munters AB, 2020