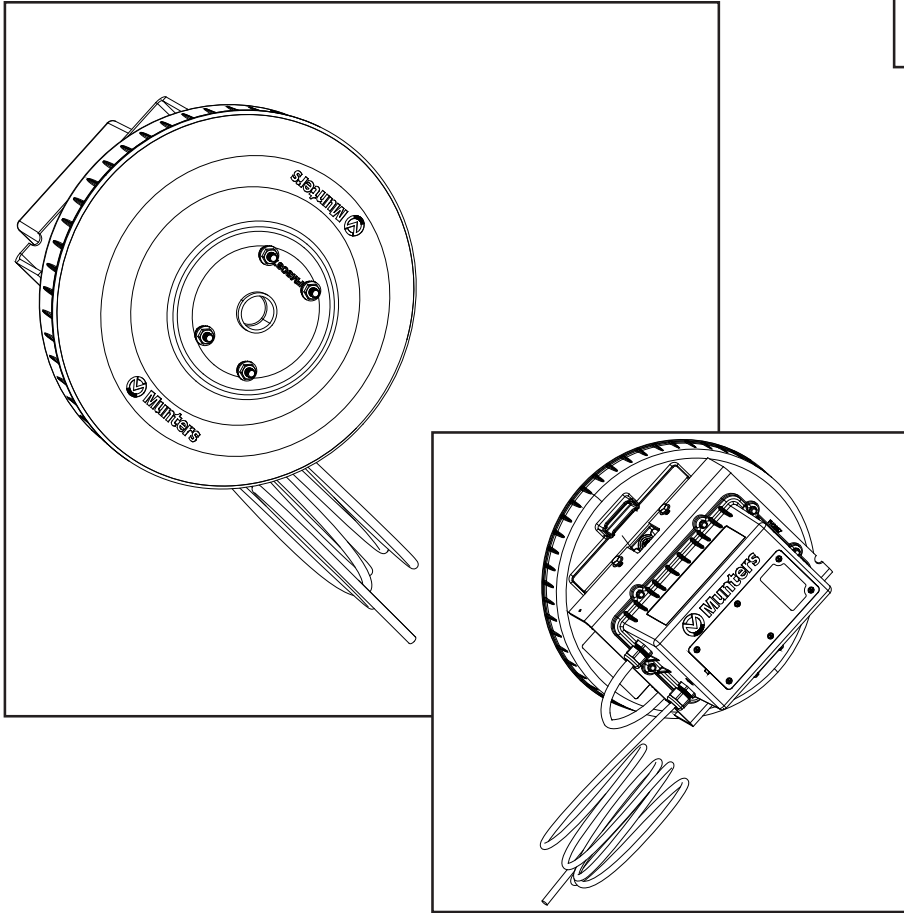


Instruction Manual



**“MD”
Munters Drive ***
Motor & Controller
Replacement Kit
for WM Fans

*Patents Pending

“MD” Munters Drive

Motor and Controller Replacement Kit

Models: MD-WM54xx-Hx



MD - Munters Drive

Motor & Controller Replacement Kit

Instructions for Use and Maintenance

Thank You:

Thank you for purchasing a “MD” motor & controller replacement kit. Munters equipment is designed to be the highest performing, highest quality equipment you can buy. With the proper installation and maintenance it will provide many years of service.

Please Note:

To achieve maximum performance and insure long life from your Munters product it is essential that it be installed and maintained properly. Please read all instructions carefully before beginning installation.

Warranty:

For Warranty claims information see the “Warranty Claims and Return Policy” form QM1021 available from the [Munters Corporation office at 1-800-227-2376 or by e-mail at aghort.info@munters.com](mailto:aghort.info@munters.com).

Conditions and Limitations:

- Products and Systems involved in a warranty claim under the “Warranty Claims and Return Policy” shall have been properly installed, maintained and operated under competent supervision, according to the instructions provided by Munters Corporation.
- Malfunction or failure resulting from misuse, abuse, negligence, alteration, accident or lack of proper installation or maintenance shall not be considered a defect under the Warranty.

Index

Chapters	Page
1. Unpacking the Equipment	4
1.1 Parts List	4
2. Installation Instructions	5
2.1 Motor Installation	8
2.2 Controller Installation	8
3. Electrical Wiring	10
3.1 Recommended Wiring	10
4. Troubleshooting	16
5. Exploded View and Parts List	17

Unpacking the Equipment

1.

1.1 Parts List

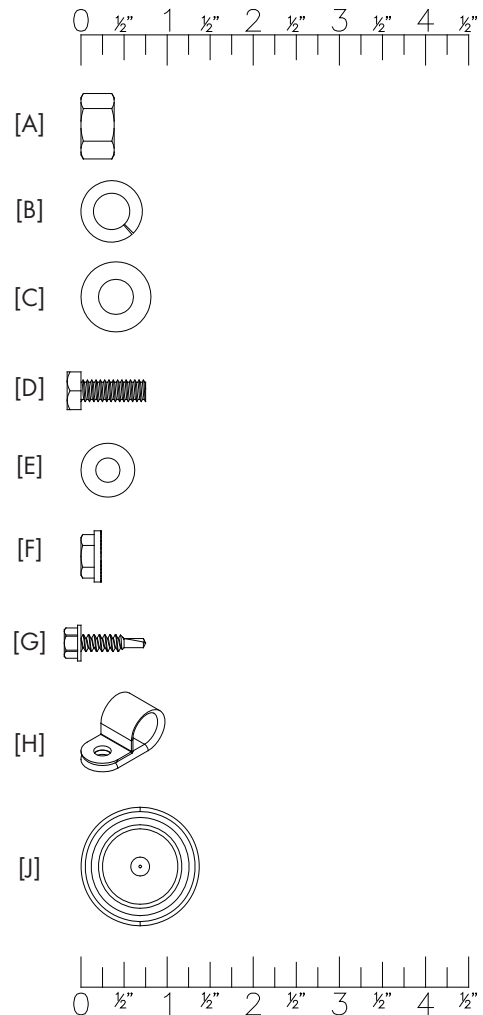
Before beginning installation, check the overall condition of the equipment. Remove packing materials, and examine all components for signs of shipping damage. Any shipping damage is the customer's responsibility and should be reported immediately to your freight carrier. Fan is shipped complete with all accessories. Remove shutter, guard and cone sections before proceeding with installation.

Each "MD" Munters Drive Kit Includes:

- 1 - Munters Drive Motor
- 1 - Munters Drive Controller
- 1 - Hardware Package As Follows:

HP1324 - Hardware Package for "MD" Kit

ID	Qty.	Cat. No.	Description
[A]	2	KN1850	M10-1.5 x 10mm Hex Nut, ZP
[B]	2	KW3509	M10, Splitlock Washer, ZP
[C]	2	KW3016	7/16" Type-A Wide Flat Washer, ZP
[D]	4	KS1019	1/4"-20 x 1" Hex Head Bolt, SS
[E]	4	KW3002	1/4" Type-A Narrow Flat Washer, SS
[F]	4	KN0702	1/4"-20 Serrated Flange Hex Nut, SS
[G]	4	KS2258	#10-16 x 3/8" HXWSR TEK Screw, SS
[H]	4	KX1018	3/8" Dia. X 1/2"W. Wire Clamp, BLK NY
[J]	1	KX1157	1" Dia. Hole Plug, Black Rubber



Installation Instructions

2.

Step 1

Disconnect power from fan before continuing. Remove the guard from the back of the fan and set safely aside to be reinstalled later. [See Figure 1.](#)

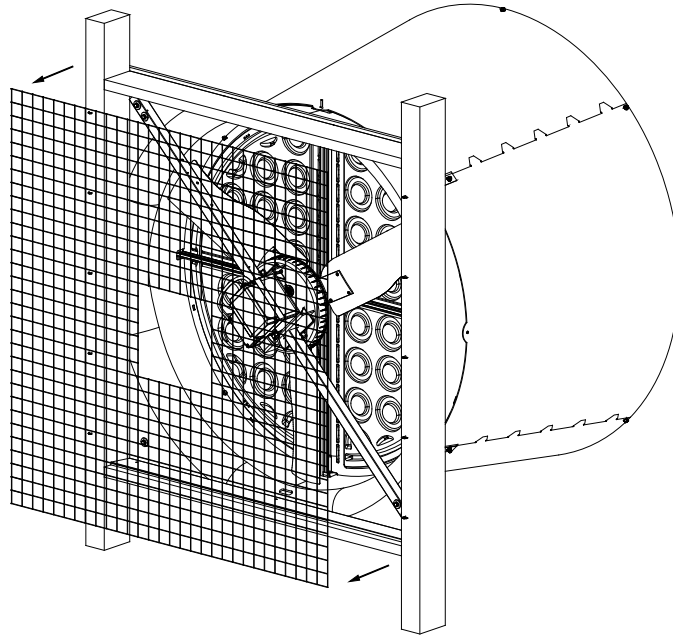


Figure 1

Step 2

Remove cover from small junction box and make a note of and/or mark how the incoming control wire is wired and then disconnect control wire and remove it from junction box. Disconnect electrical cable that is pre-wired to the controller from the incoming power supply. [See Figure 2.](#)

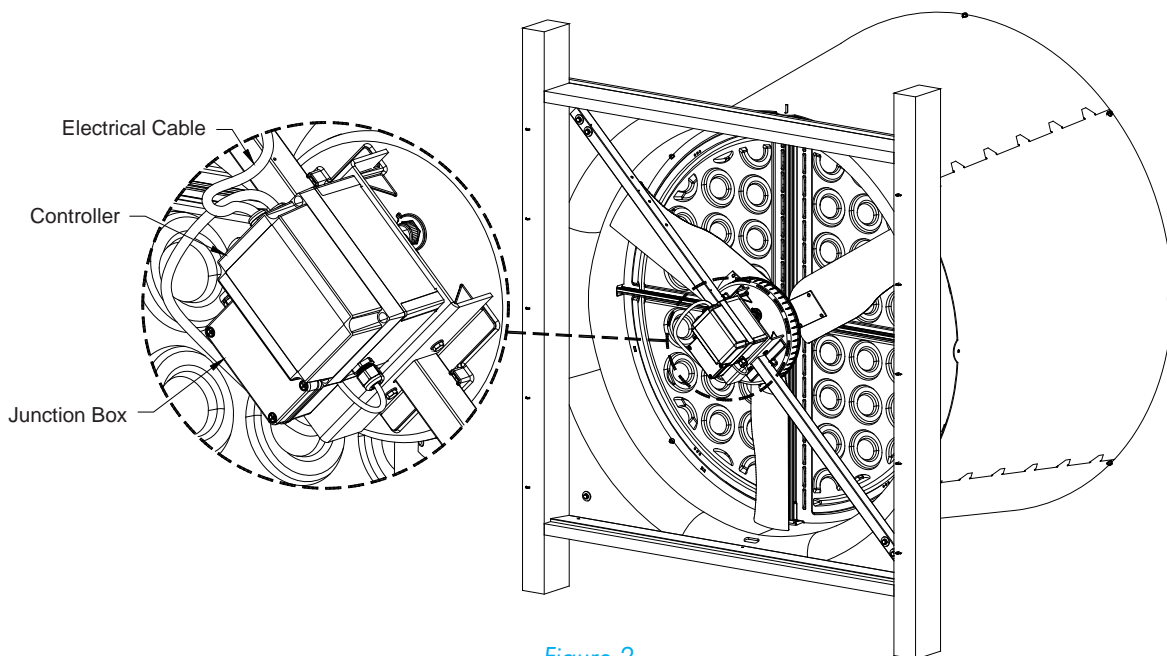


Figure 2

Step 3

Remove the 4 nuts holding the propeller to the Munters Drive Motor. Carefully remove the propeller from the motor and set safely into the cone to be reused. See Figure 3.

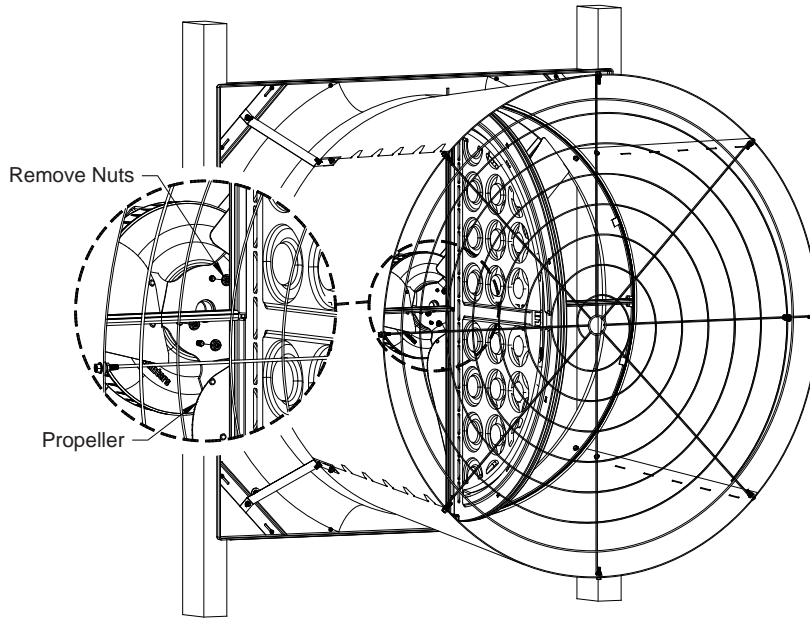


Figure 3

Step 4

Remove the 4 bolts and nuts holding the controller/heat sink bracket to the Munters Drive Motor and disconnect quick connect cable from back of motor. Then carefully set controller aside. See Figure 4.

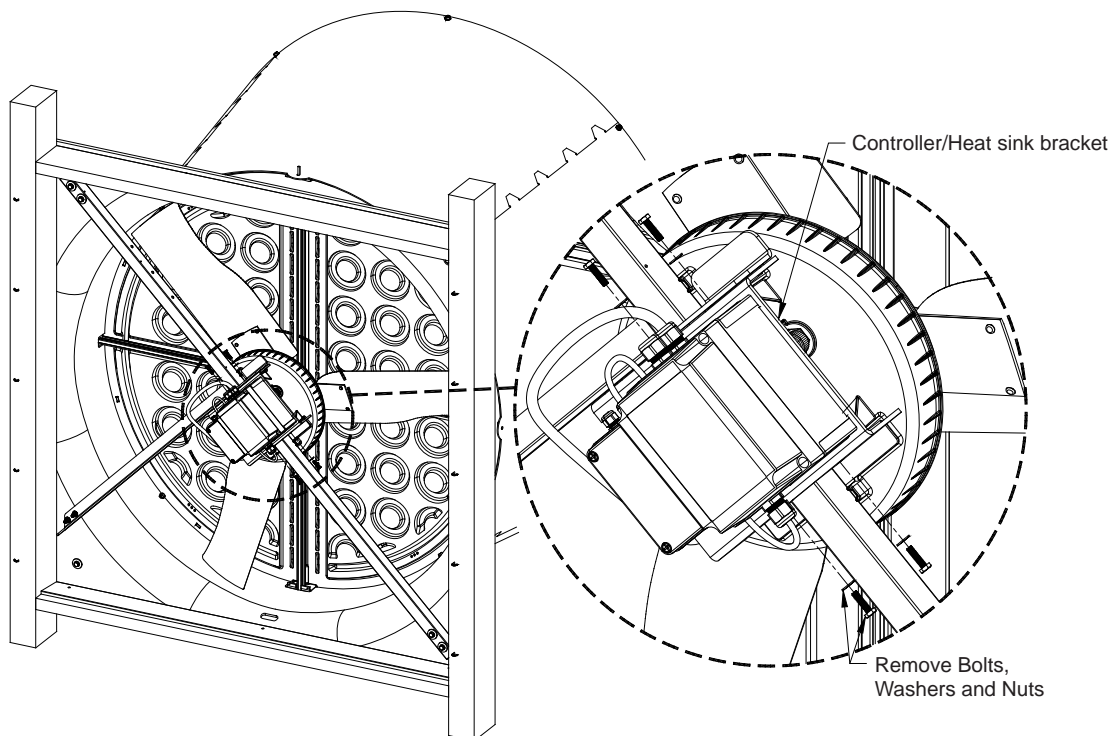


Figure 4

Step 5

Remove the motor from the struts by removing the 2 Nuts and Washers holding the motor to the struts. Motor is heavy, make sure to support it while removing bolts so it does not fall and damage housing or motor. See Figure 5.

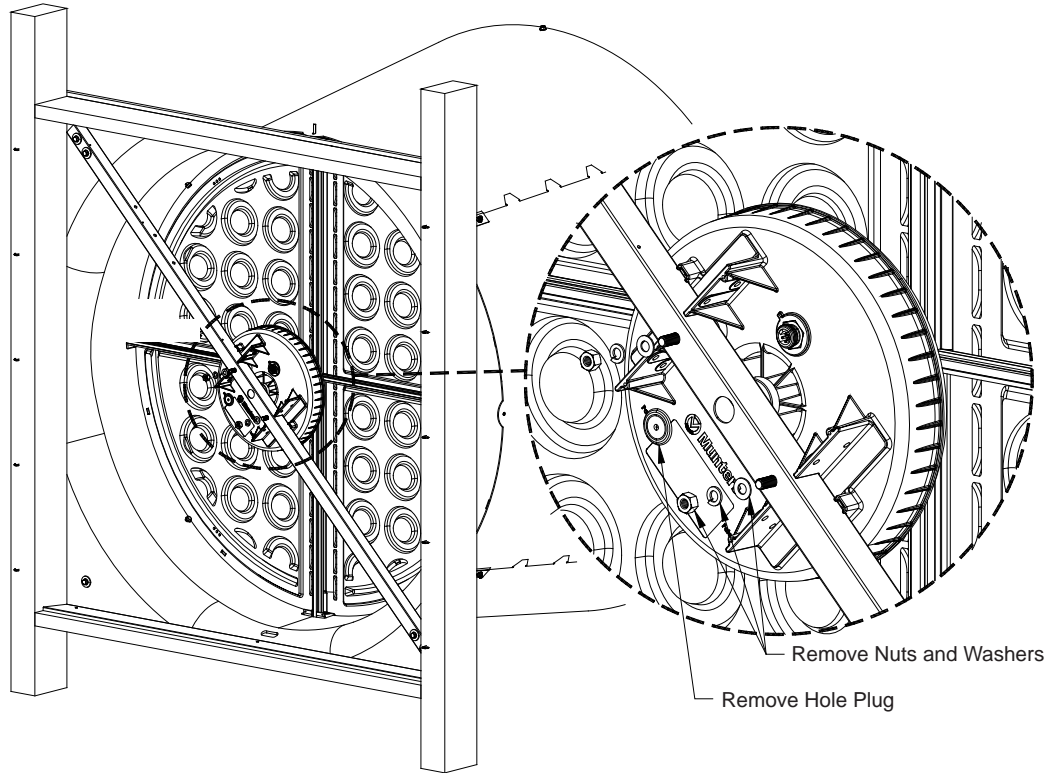


Figure 5

Step 6

Locate box and make sure it is facing up and open the box. Remove the top section of the foam packaging to reveal the Munters Drive Motor and Controller. If the cable from the Controller is connected to the motor then disconnect the cable with the quick connector from the motor. See Figure 6.

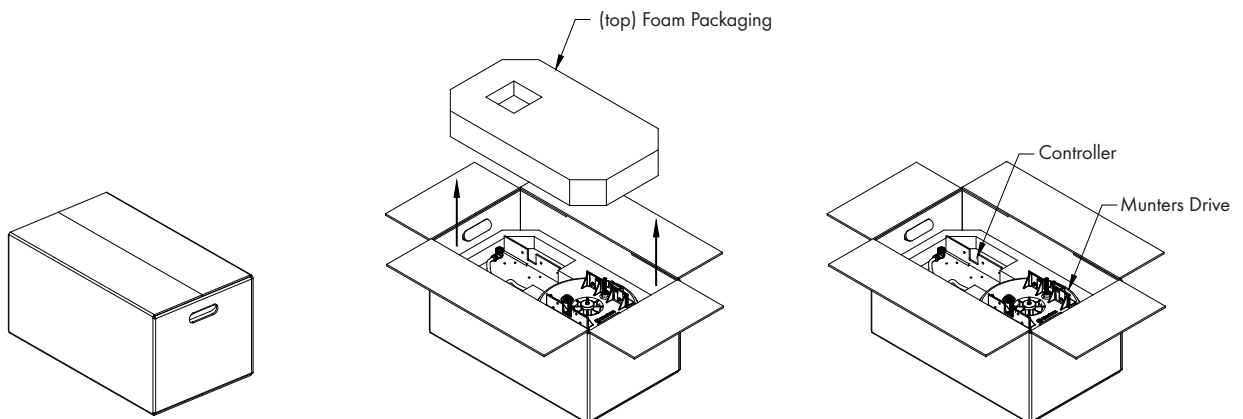


Figure 6

2.1 Motor Installation

Step 7

Carefully lift motor into place with the strut running through the motor flanges and insert the mounting bolts on the motor into holes in strut and secure in place using (2) Washers [C], Splitlock Washers [B] and Nuts [A].

See Figure 7.

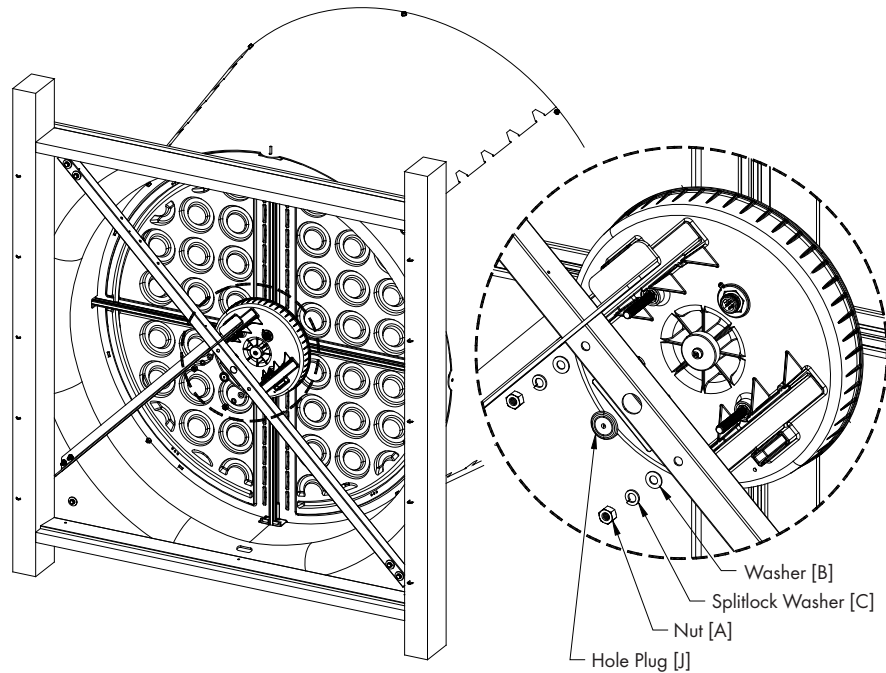


Figure 7

2.2 Controller Installation

Step 8

Carefully remove Munters Drive Controller from foam packaging and reconnect the quick connect connector to the motor. Then position controller mounting bracket over strut with the left flange of bracket between Motor flange and Support Bracket and fasten in place with (4) Bolts [D], Washers [E] and Nuts [F]. See Figure 8.

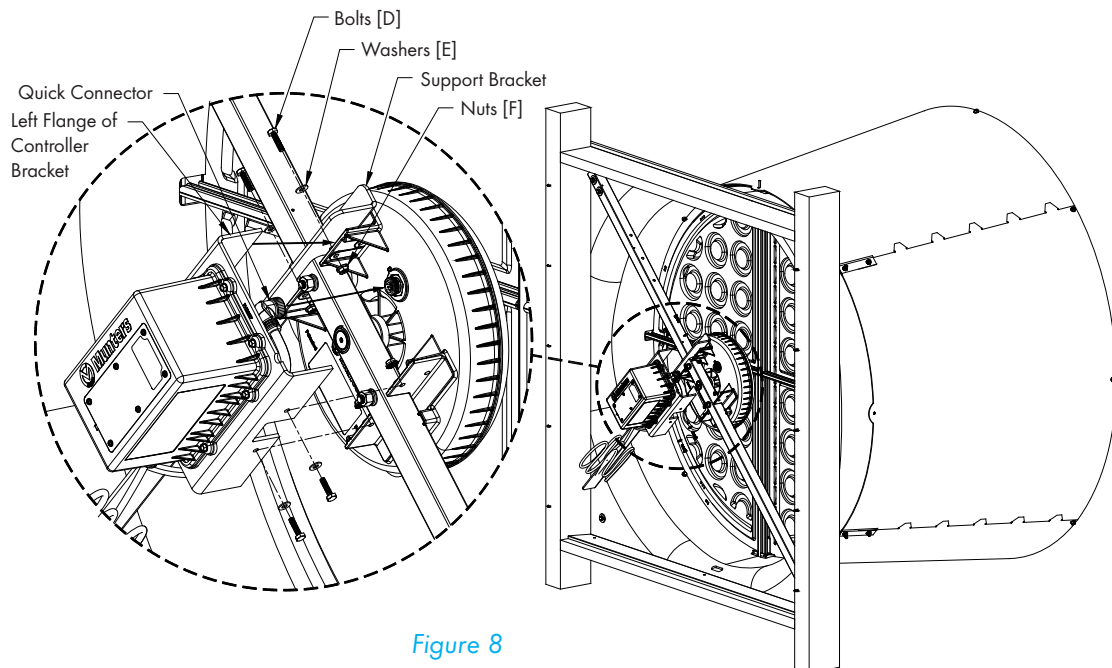


Figure 8

Step 9

Remove (4) nuts from face of the Munters Drive Motor. Position propeller onto bolts of Munters Drive Motor and secure with (4) nuts just removed. Tighten the nuts to 200 in-lbs. of torque. *See Figure 9.*

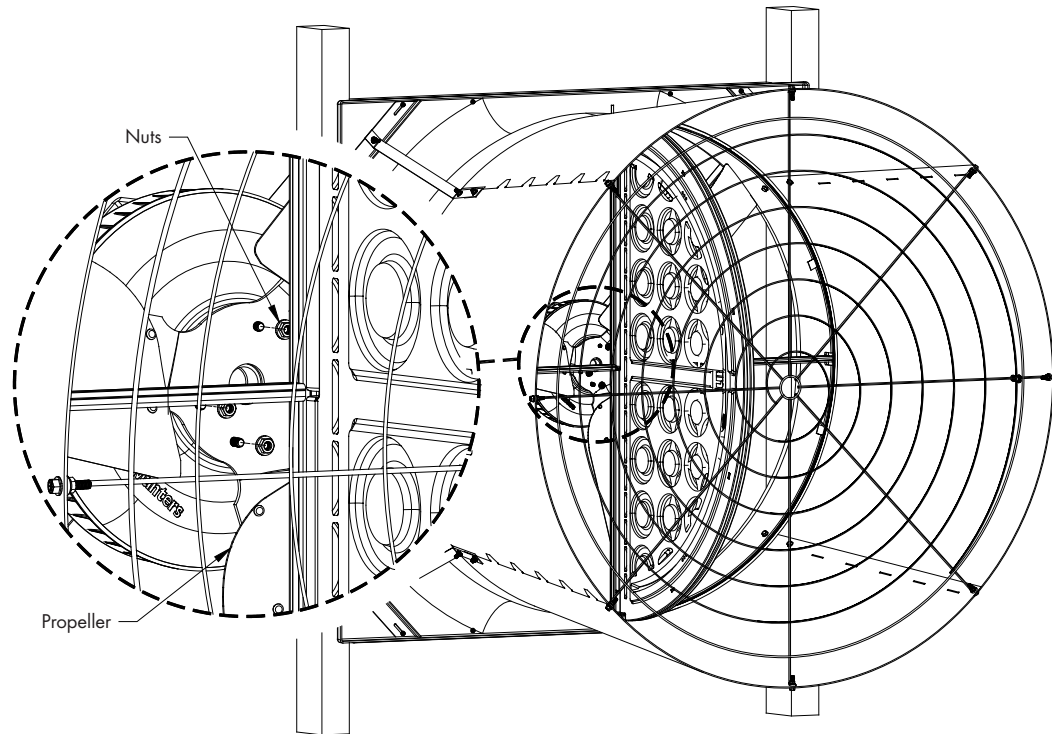


Figure 9

Step 10

The Munters Drive MD Kit comes with a coil of electrical cable that is pre-wired to controller. Determine where the existing power for fan enters housing and route the cable up or down the strut toward the existing power. Create a drip loop in bottom of cable and then fasten it to the strut using (4) Wire Clamps [H] and TEK Screws [G]. Attach new cable to existing power supply for fan.

See Figure 10.

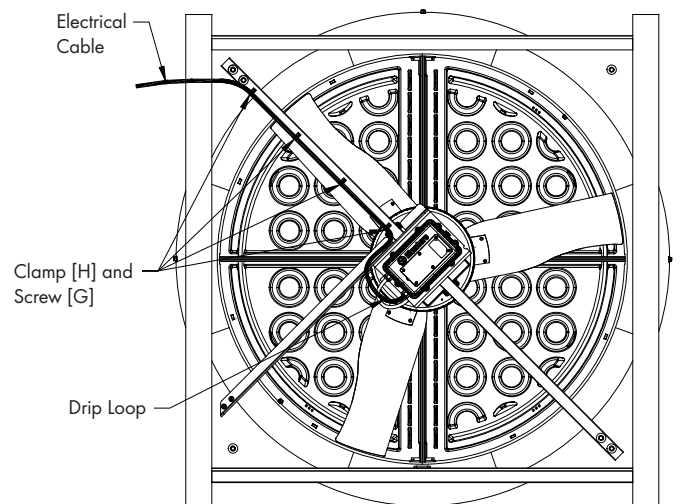


Figure 10

Step 11

Feed the existing control wire through the watertight fitting in the new junction box, refer to Chapter 3 for watertight fitting installation. Connect wire to terminals of circuit board as previously noted or follow steps in Chapter 3 for desired operation of Munters Drive Fan. If the existing control wire is not long enough to reach the watertight fitting, then use a junction box to extend the wire into the new box. The existing junction box may be used for this purpose. Attach either junction box to the strut.

3.1 Recommended Wiring

The Munters Drive fan ships configured for simple ON/OFF operation. When electrical power is applied to the main cable and the 'RUN' Switch is in the 'ON' Position, the fan will start and run at full speed.

See Figure 11A.

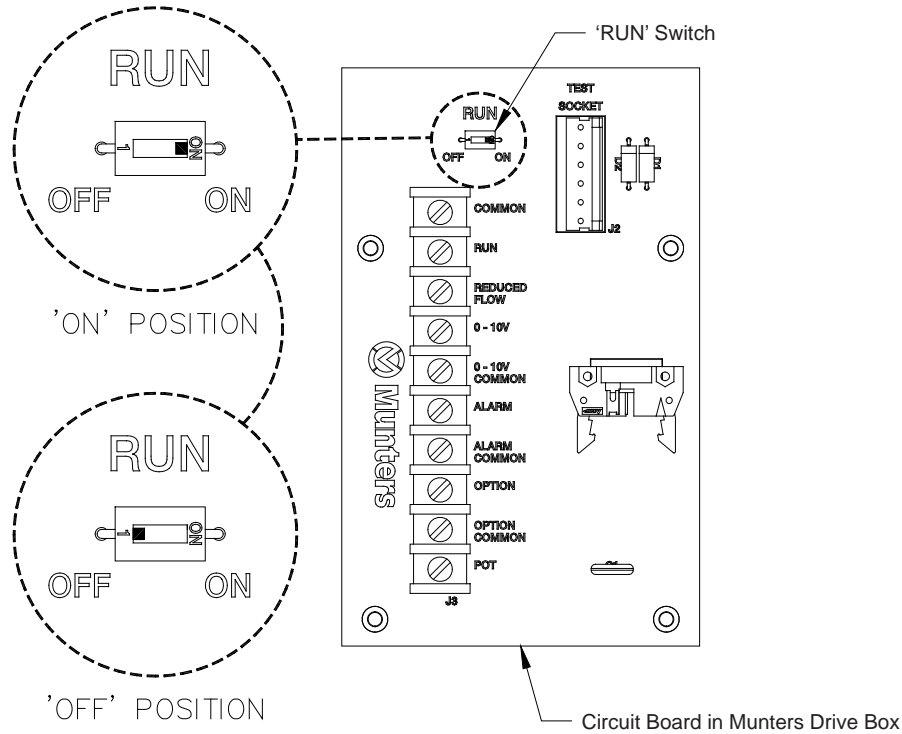


Figure 11A
Default Operation Full Speed

*****WARNING*****

The Blue Box electrical enclosure must not be removed from mounting bracket. Removing Blue Box from the mounting bracket will void the warranty. Any water or other damage to the controller will not be covered if the Blue Box is removed.

*****NOTE*****

All Low Voltage wire must be shielded cable. i.e. Belden 8770 or equivalent.

When making connections to Munters Drive Box, be sure to use the supplied watertight fittings with only 1 cable per fitting. If watertight fittings are not used or if 2 cables or more are in 1 watertight fitting, equipment failure from water damage will not be covered under warranty. If 2 or more cables are used in 1 watertight fitting, they must be sealed on both sides of Munters Drive Box wall to prevent water infiltration.

If you are going to run the Munters Drive with a signal from a control, carefully remove 6 screws and the cover and save to reinstall later. Carefully punch the knock-out from the bottom of the Munters Drive Box and install the Watertight connector as shown. See Figure 11B and 11C.

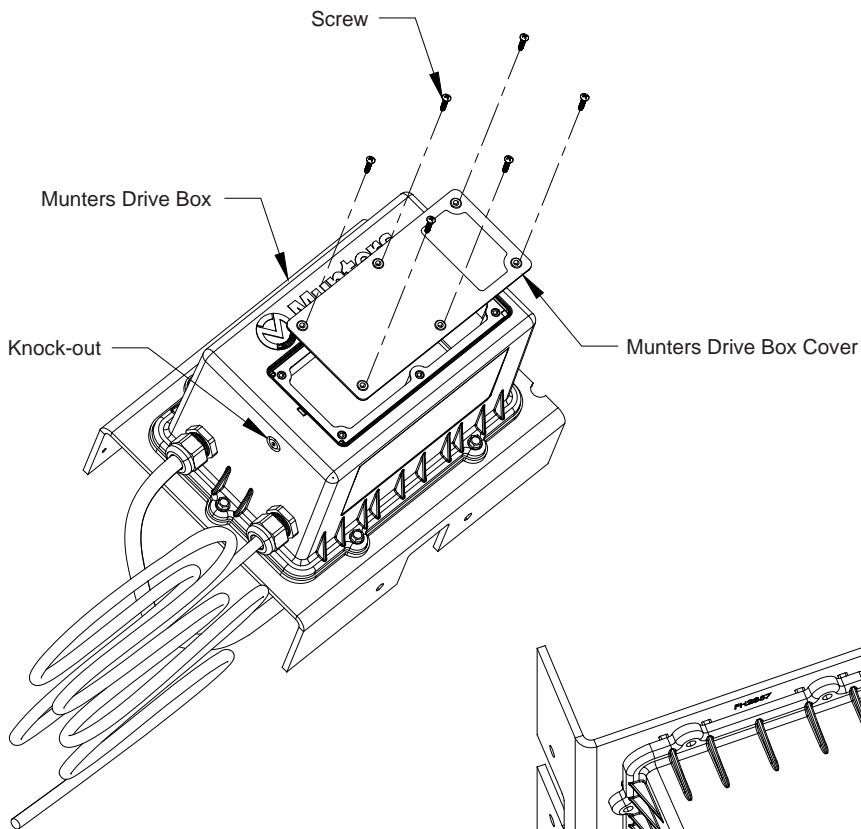


Figure 11B

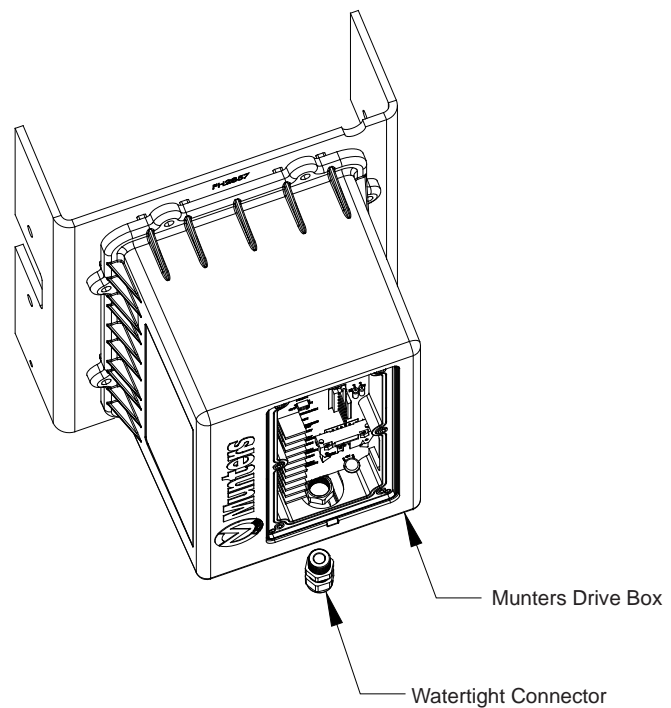


Figure 11C

To operate the Munters Drive On/Off with a control, Slide the 'RUN' switch, located on the circuit board in the Munters Drive Box, to the 'OFF' position. Now wire an 'ON' command from the 'COMMON' terminal to the input of the relay in the control and from the output of the control relay to the 'RUN' terminal in the Munters Drive Box. See Figure 11A and 11D.

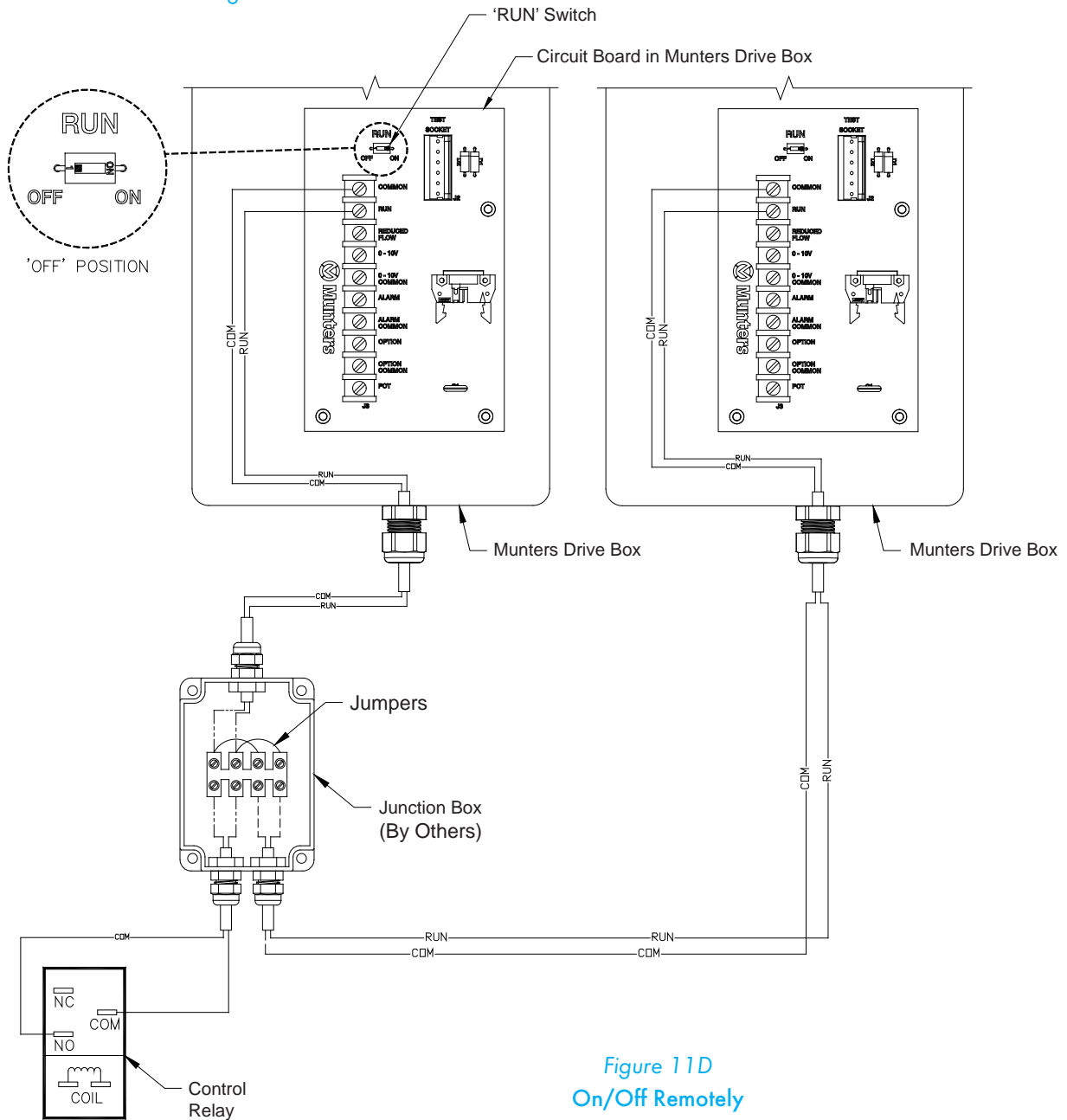


Figure 11D
On/Off Remotely

*****WARNING*****

The Blue Box electrical enclosure must not be removed from mounting bracket. Removing Blue Box from the mounting bracket will void the warranty. Any water or other damage to the controller will not be covered if the Blue Box is removed.

*****NOTE*****

All Low Voltage wire must be shielded cable. i.e. Belden 8770 or equivalent.

To operate the Munters Drive Off/Low/High with a control, slide the 'RUN' switch, located on the circuit board in the Munters Drive Box, to the 'OFF' position. Now wire an 'ON' command from the 'COMMON' terminal to the input of the relay in the control and from the output of the control relay to the 'RUN' terminal in the Munters Drive Box. Then connect the output of the control relay for 'LOW' to the 'REDUCED FLOW' terminal in the Munters Drive Box. See Figure 11E.

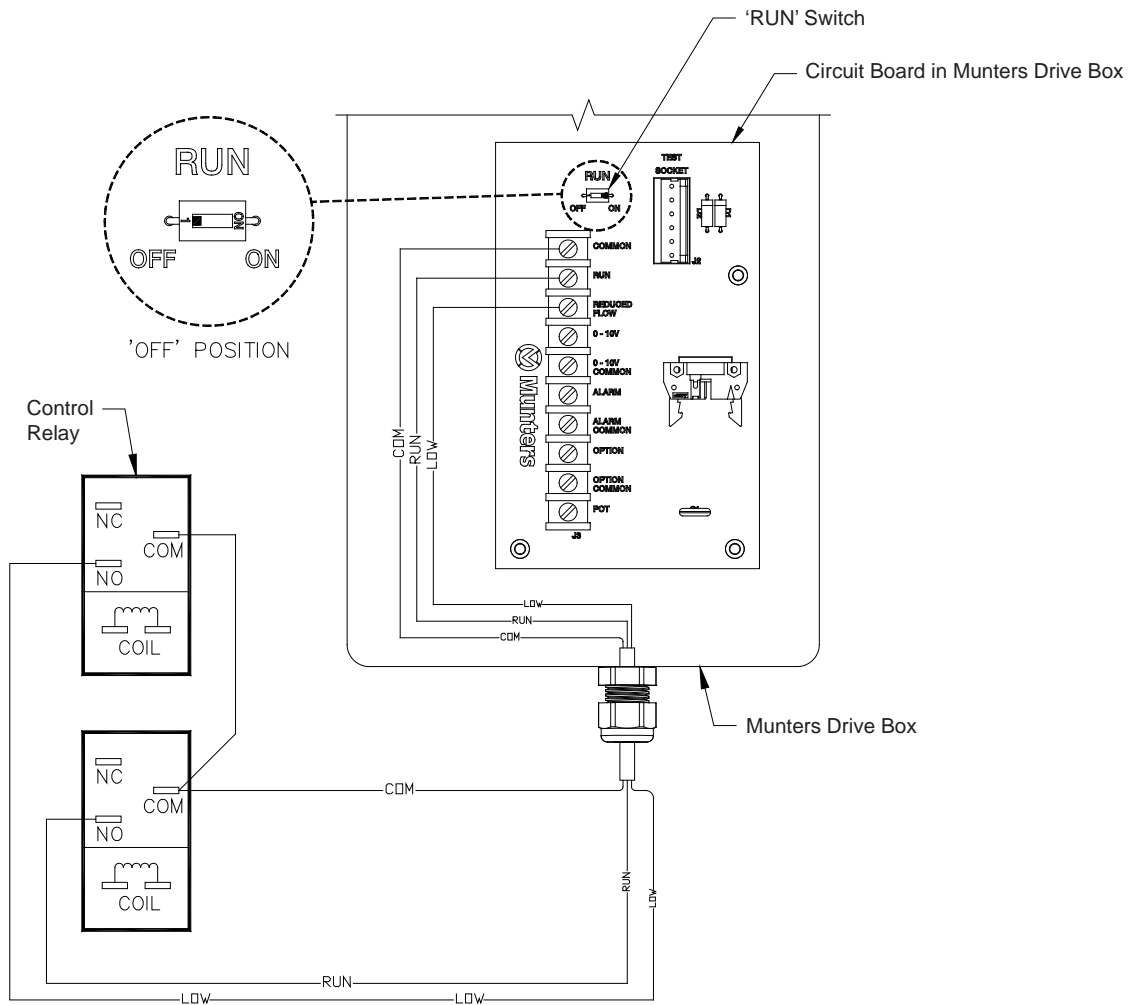


Figure 11E
Off/Low/High Remotely

*****WARNING*****

The Blue Box electrical enclosure must not be removed from mounting bracket. Removing Blue Box from the mounting bracket will void the warranty. Any water or other damage to the controller will not be covered if the Blue Box is removed.

*****NOTE*****

All Low Voltage wire must be shielded cable. i.e. Belden 8770 or equivalent.

To Operate the Munters Drive variable with a 10-0V Signal, slide the 'RUN' switch, located on the circuit board in the Munters Drive Box, to the 'ON' position. Connect wires from the '0-10V IN' and '0-10V COMMON' terminals in the Munters Drive Box to the 10-0V output in the control. See Figure 11F.

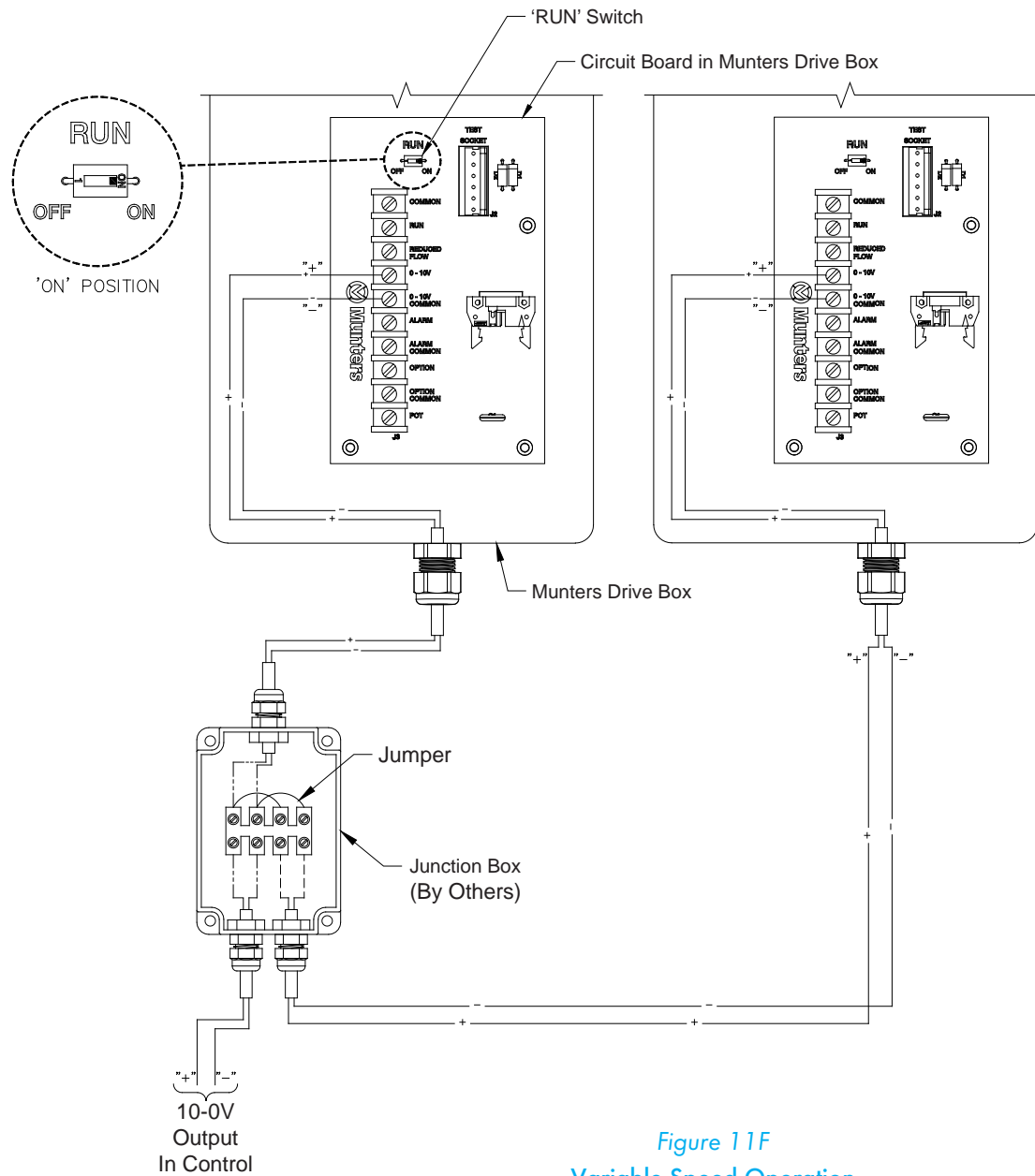


Figure 11F
Variable Speed Operation

*****WARNING*****

The Blue Box electrical enclosure must not be removed from mounting bracket. Removing Blue Box from the mounting bracket will void the warranty. Any water or other damage to the controller will not be covered if the Blue Box is removed.

*****NOTE*****

All Low Voltage wire must be shielded cable. i.e. Belden 8770 or equivalent.

To operate the Munters Drive Off/Variable with a 10-0V Signal, slide the 'RUN' switch, located on the circuit board in the Munters Drive Box, to the 'OFF' position. Now wire an 'ON' command from the 'COMMON' terminal to the input of the relay in the control and from the output of the control relay to the 'RUN' terminal in the Munters Drive Box. Also, connect wires from the '0-10V IN' and '0-10V COMMON' terminals in the Munters Drive Box to the 10-0V output in the control. See Figure 11G.

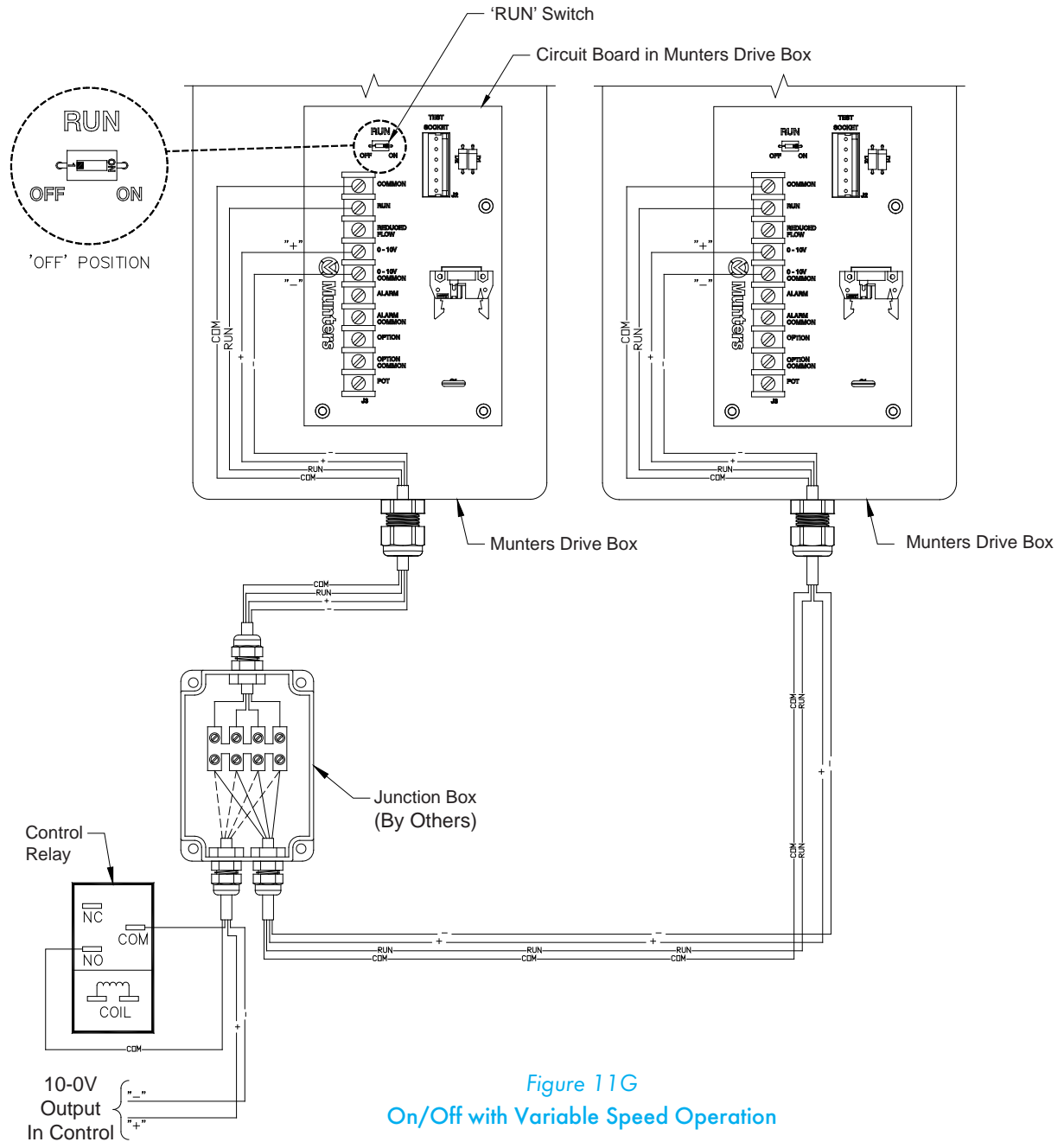
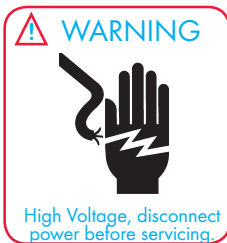


Figure 11G
On/Off with Variable Speed Operation

WARNING: Fan is designed to be operated with shutter in place. Do not apply power to fan without shutter being installed.

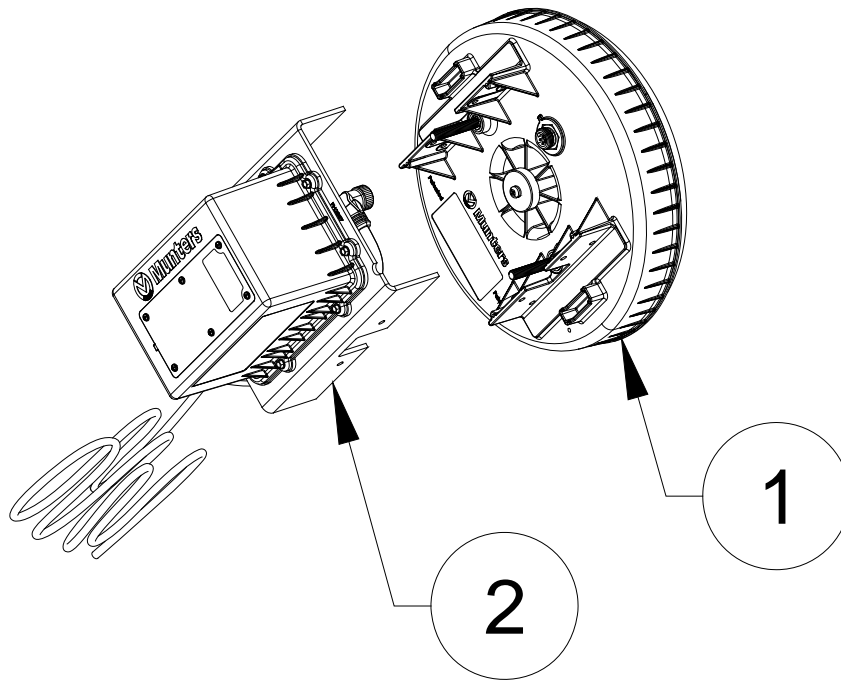
4.1 Troubleshooting



SYMPTOM	POSSIBLE CAUSES	CORRECTIVE ACTION
<ul style="list-style-type: none"> Fan Not Operating 	<ul style="list-style-type: none"> Fan control set above room temperature Blown Fuse or open circuit breaker Propeller blade contacting fan housing Fan control defective (i.e. environmental control, etc.) 	<ul style="list-style-type: none"> Set to a lower temperature Replace fuse or reset breaker Realign motor in fan housing Repair or replace control
<ul style="list-style-type: none"> Fan Does Not Start Caution: There is a 10 second delay for the fan to start when an 'On' command is present. 	<ul style="list-style-type: none"> Munters Drive motor/controller issue 	<ol style="list-style-type: none"> Verify AC voltage is present at fan. Turn AC power off to fan for 1 minute Verify Prop turns freely <ol style="list-style-type: none"> If not contact Munters Product Support If it turns freely go to next step Turn AC power back on to fan <ol style="list-style-type: none"> If starts up and runs, fan OK <ul style="list-style-type: none"> Periodically observe fan to verify it is still running If it continues to run, fan is OK If fan stops, look through clear window in drive cover to check what drive display reads. Contact Munters Product Support If fan tries to start but stops, look through clear window in drive cover to check what drive display reads. Contact Munters Product Support If fan doesn't try to start, verify 'On' command signal is present at circuit board. Also, slide the switch on the circuit board to the 'On' position.
<ul style="list-style-type: none"> Fan Operating - Insufficient Airflow 	<ul style="list-style-type: none"> Shutter or Damper door jammed Guard dirty/clogged 10-0V signal set incorrectly 	<ul style="list-style-type: none"> Clean shutter or damper door Clean guard Check and adjust 10-0V signal
<ul style="list-style-type: none"> Excessive Noise 	<ul style="list-style-type: none"> Propeller blade contacting fan housing 	<ul style="list-style-type: none"> Sand fan housing to remove high spot
<ul style="list-style-type: none"> Excessive Vibration 	<ul style="list-style-type: none"> Motor loose on mount Propeller damaged 	<ul style="list-style-type: none"> Tighten fasteners Replace propeller

Exploded View and Parts List

5.



Item	Catalog No.	Part Name/Description	
1	Various*	Motor for Munters Drive, less controller	1
2	Various*	Controller, WM Munters Drive	1

* Contact office for replacement part numbers for your fan configuration.

Munters Drive replacement kit is developed and produced by Munters Corporation, Lansing, Michigan U.S.A. 1-800-227-2376



Munters Europe AB, Isafjordsgatan 1, P.O. Box 1150, SE-164 26 Kista, Sweden. Phone +46 08 626 63 00, Fax +46 8 754 56 66.

Munters Corporation 2691 Ena Drive Lansing, MI 48917 U.S.A. Phone +1 800-227-2376, Fax +1 517-676-7078

www.munters.us

[Australia](#) Munters Pty Limited, Phone +61 2 6025 6422, [Brazil](#) Munters Brasil Industria e Comercio Ltda, Phone +55 41 3317 5050, [Canada/US](#) Munters Corporation Lansing, MI Phone +1 517 676 7070, [China](#) Munters Air Treatment Equipment (Beijing) Co. Ltd, Phone +86 10 80 481 121, [Denmark](#) Munters A/S, Phone +45 9862 3311, [India](#) Munters India, Phone +91 20 3052 2520, [Indonesia](#) Munters, Phone +62 818 739 235, [Italy](#) Munters Italy S.p.A., Chiusavecchia, Phone +39 0183 52 11, [Japan](#) Munters K.K., Phone +81 3 5970 0021, [Korea](#) Munters Korea Co. Ltd., Phone +82 2 761 8701, [Mexico](#) Munters Mexico, Phone +52 818 262 54 00, [Russia](#) Munters AB, Phone +7 812 448 5740, [Singapore](#) Munters Pte Ltd., Phone +65 744 6828, [South Africa and Sub-Sahara Countries](#) Munters (Pty) Ltd., Phone +27 11 997 2000, [Spain](#) Munters Spain S.A., Phone +34 91 640 09 02, [Sweden](#) Munters AB, Phone +46 8 626 63 00, [Thailand](#) Munters Co. Ltd., Phone +66 2 642 2670, [Turkey](#) Munters Form Endüstri Sistemleri A.Ş., Phone +90 322 231 1338, [USA](#) Munters Corporation Lansing, MI Phone +1 517 676 7070, [Vietnam](#) Munters Vietnam, Phone +84 8 3825 6838, [Export & Other countries](#) Munters Italy S.p.A., Chiusavecchia Phone +39 0183 52 11