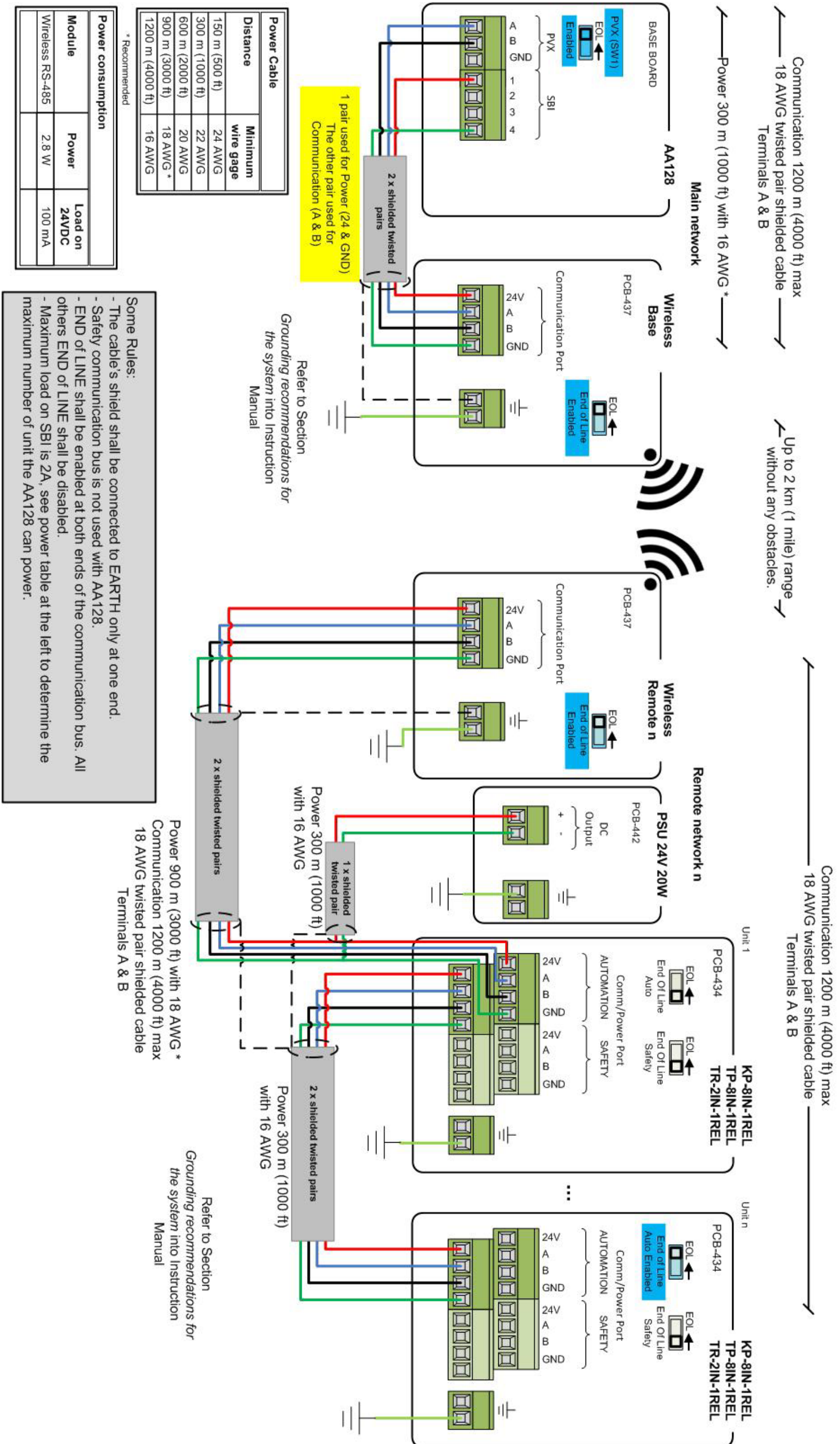


NOTE: For more complete information on the product, please refer to the manual on the USB key provided with your Agri Alert 128 Touch or go to the following web sites :

<http://www.munters.com>

OR call the Munters Office: 1-800-227-2376

POWER SUPPLY and COMMUNICATION Scheme in an AA128 TOUCH SYSTEM



Power Cable	
Distance	Minimum wire gage
150 m (500 ft)	24 AWG
300 m (1000 ft)	22 AWG
600 m (2000 ft)	20 AWG
900 m (3000 ft)	18 AWG *
1200 m (4000 ft)	16 AWG

* Recommended

Power consumption		
Module	Power	Load on 24VDC
Wireless RS-485	2.8 W	100 mA

Some Rules:

- The cable's shield shall be connected to EARTH only at one end.
- Safety communication bus is not used with AA128.
- END of LINE shall be enabled at both ends of the communication bus. All others END of LINE shall be disabled.
- Maximum load on SBI is 2A, see power table at the left to determine the maximum number of unit the AA128 can power.

POWER SUPPLY and COMMUNICATION Scheme in an AA9600 SYSTEM

Communication 1200 m (4000 ft) max
 18 AWG twisted pair shielded cable
 Terminals A & B

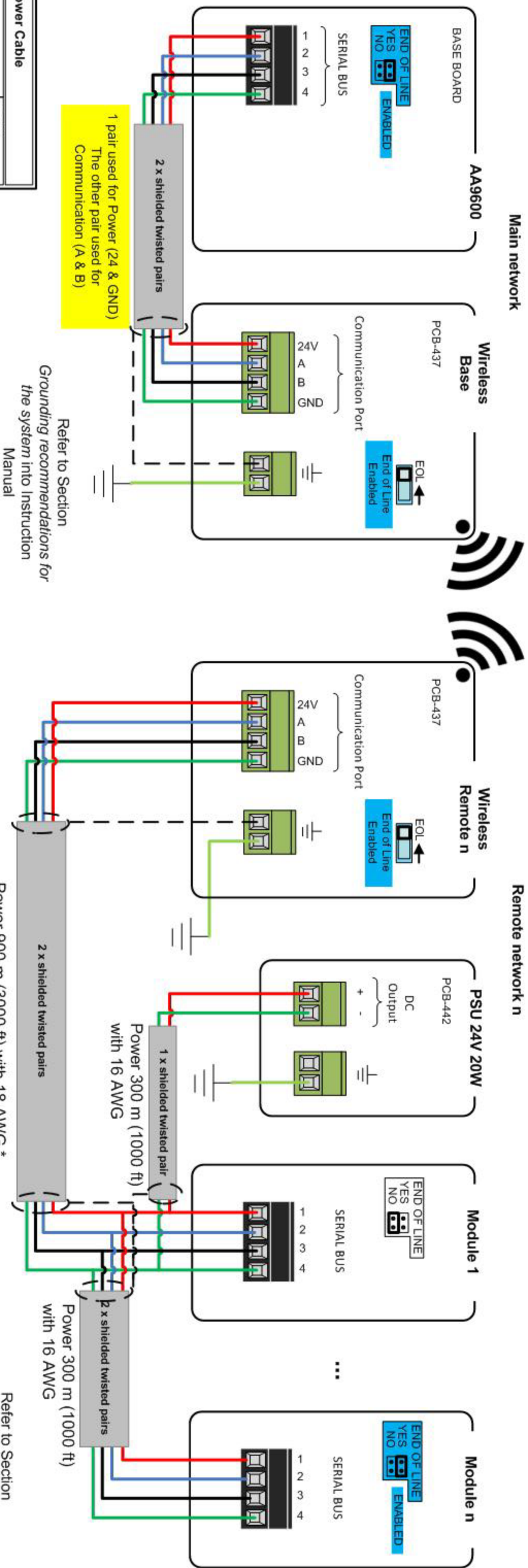
Up to 2 km (1 mile) range
 without any obstacles.

Communication 1200 m (4000 ft) max
 18 AWG twisted pair shielded cable
 Terminals A & B

Power 300 m (1000 ft) with 16 AWG *

Main network

Remote network n



Power Cable	Distance	Minimum wire gage
	150 m (500 ft)	24 AWG
	300 m (1000 ft)	22 AWG
	600 m (2000 ft)	20 AWG
	900 m (3000 ft)	18 AWG *
	1200 m (4000 ft)	16 AWG

* Recommended

Power consumption		
Module	Power	Load on 24VDC
Wireless RS-485	2.8 W	100 mA

- Some Rules:
- The cable's shield shall be connected to EARTH only at one end.
 - Safety communication bus is not used with AA9600.
 - END of LINE shall be enabled at both ends of the communication bus. All others END of LINE shall be disabled.
 - Maximum load on SERIAL BUS is 2A, see power table at the left to determine the maximum number of unit the AA9600 can power.

Technical Specifications

Wireless RS-485 safety ratings

INPUTS : Supply Input : 24/28VDC, 2.8W

Operating Temperature: -40 to 40°C (-40 to 104°F)

Storage Temperature: -20 to 50°C (-4 to 122°F)

Environment type: Outdoor use

Pollution Degree: 2

Installation Category: 2

Altitude: 2000 Meters Max. (6561 Ft. Max)

Humidity (maximum relative) operating:

- -40 to 0°C (-40 to 32°F) Non condensing
- 0 to 10 °C (32 to 50 °F) Non condensing
- 10 to 30 °C (50 to 86 °F) 95 % (± 3 %) Non condensing
- 30 to 40 °C (86 to 104 °F) 95 % (± 3 %) Non condensing

IP rating (IEC 60529): 66

Nema Rating (Nema 250): 4X

Flame rating (UL94): 5VA V-0

Flame rating (IEC 60695 or IEC 60707): FV-0

IK rating (degree of mechanical protection - impact, IEC 62262): 08

Main supply voltage fluctuations shall not exceed +/- 10% of the nominal supply voltage.

Table 1 *Wireless RS-485 functional ratings*

Enclosure Dimensions	Height	178 mm (7 inches)
	Width	229 mm (9 inches)
	Depth	76.2 mm (3 inches)
Weight	1 769.01 grams (3.90lbs)	
Radio ratings		
Frequency Band	US/Canada: 2409.33MHz – 2467.11MHz Europe: 2409.33MHz – 2467.89MHz	
Modulation	FSK/MSK	

Table 1 *Wireless RS-485 functional ratings (cont'd.)*

Radio Output Power	63mW max.
Receiver Sensitivity	-96 dBm typical at 200kb/s
Optimum Antenna Impedance	50Ω
RF Data Transmission Rates	200kb/s
RF Connection	DNT2400P - U.FL Connector
Network Topologies	Point-to-Multipoint
Access Schemes	CSMA
Number of Network Nodes on EDGE system	16 Wireless Remotes per Wireless Base
Number of Network Nodes on Legacy systems	7 Wireless Remotes per Base Wireless
Maximum distance between the receiver and the transmitter outside	2km (6562 ft or 1.24 mile)
Equipment classification (ETSI EN 301 489-1)	Equipment for fixed use