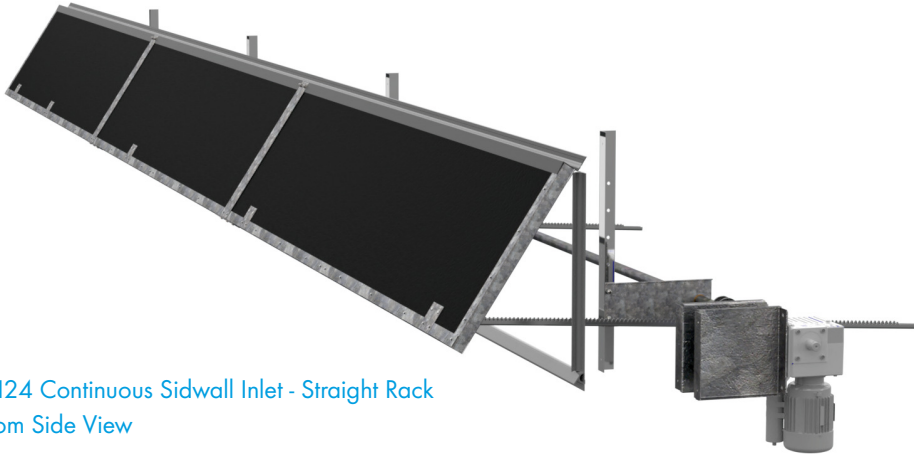


HORIZON CSI24 Continuous Sidewall Inlet - Offset Mount

Instruction Manual



CSI24 Continuous Sidewall Inlet - Straight Rack
Room Side View



CSI24 Continuous Sidewall Inlet - Curved Rack
Outside/Hallway Side View

Horizon Series CSI24 Continuous Sidewall Inlet

Models: CSI24100SO • CSI2410SO • CSI24100CO •
CSI2410CO

CSI24 Continuous Sidewall Inlet

Instructions for Use and Maintenance

Thank You:

Thank you for purchasing a Munters CSI24 Continuous Sidewall Inlet. Munters equipment is designed to be the highest performing, highest quality equipment you can buy. With the proper installation and maintenance it will provide many years of service.

Please Note:

To achieve maximum performance and insure long life from your Munters product it is essential that it be installed and maintained properly. Please read all instructions carefully before beginning installation.

Warranty:

For Warranty claims information see the "Warranty Claims and Return Policy" form QM1021 available from the [Munters Corporation office at 1-800-227-2376 or by e-mail at aghort.info@munters.com](mailto:aghort.info@munters.com).

Conditions and Limitations:

- Products and Systems involved in a warranty claim under the "Warranty Claims and Return Policy" shall have been properly installed, maintained and operated under competent supervision, according to the instructions provided by Munters Corporation.
- Malfunction or failure resulting from misuse, abuse, negligence, alteration, accident or lack of proper installation or maintenance shall not be considered a defect under the Warranty.

Index

Chapters	Page
1. Unpacking the Equipment	4
1.1 Catalog Number Definition	4
1.2 Parts List	4-6
2. Installation Instructions	7
2.1 Framing	7
2.2 Foam Seal	8
2.3 Door Assembly	9
2.4 Left Door Assembly	9
2.5 Middle Door Assembly	12
2.6 Right Door Assembly	14
2.7 Door Installation	17
2.8 Drive Frame Installation	22
2.9 Actuator Installation	26
2.10 Drive Pipe Preparation	26
2.11 Drive Pipe Installation	27
3. Maintenance	33

Unpacking the Equipment

1.

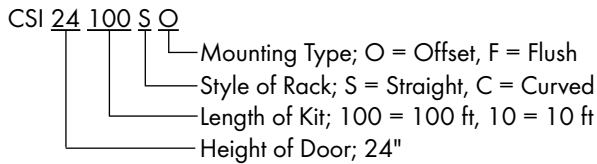
Before beginning installation, check the overall condition of the equipment. Remove packing materials, and examine all components for signs of shipping damage. Any shipping damage is the customer's responsibility and should be reported immediately to your freight carrier.

1.1 System Description

The Munters CSI24 Continuous Sidewall Inlet is a 24"H. door that can be continuous for a total of 150'L. and can be mounted flush to the wall or offset so the drive pipe can be mounted away from the wall to avoid columns or posts. It can also use either Straight Racks or Curved Racks. The CSI24 Continuous Sidewall Inlet is sold in 100' Door Kits and 10' Door Kits, an Ending Kit and the Actuator (actuator sold separately). **For example:** For a system that is 450'L. with Offset Mount and Straight Racks, operated by 3 Actuators, the customer would receive the following: (4) CSI24100SO, (5) CSI2410SO, (3) AC2871 and (3) Actuators (actuator sold separately).

Catalog Number Definition:

Door Kits



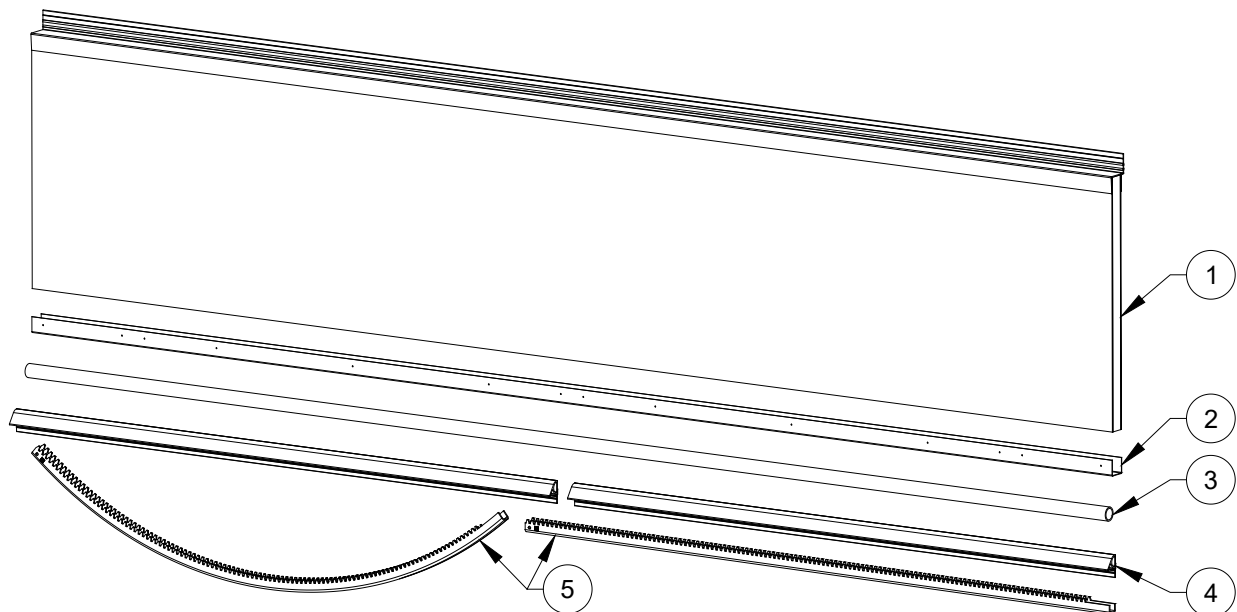
Ending Kits

- AC2871 = Straight Offset Mount Ending Kit
- AC2872 = Straight Flush Mount Ending Kit
- AC2873 = Curved Offset Mount Ending Kit
- AC2874 = Curved Flush Mount Ending Kit

1.2 Parts List

Each 10'L. CSI Door Kit, CSI24 Includes:

ID	CSI2410 Cat. No.	Qty.	Description
[1]	AC3470	1	Door w/ Hinge, 24"H. x 10'L. x 1.5"T., Blk/Wht, CSI24
[2]	AC3440	1	Door Edge Trim, 120"L, GZ
[3]	AC1415	1	1" SCHD10 (1.32"O.D.) Pipe x 126"L, SOE, 12GA, GZ
[4]	KA2156	2	Foam Seal, P-Shape w/ TAB, 2.14"W. x 1.31"H. x 60"L, BLK
[5]	AC3727	1	Straight Rack, 57"Travel, 65"(1650mm) L, GZ
	AC3735	1	Curved Rack, 57"Travel, 65"(1650mm) L, GZ

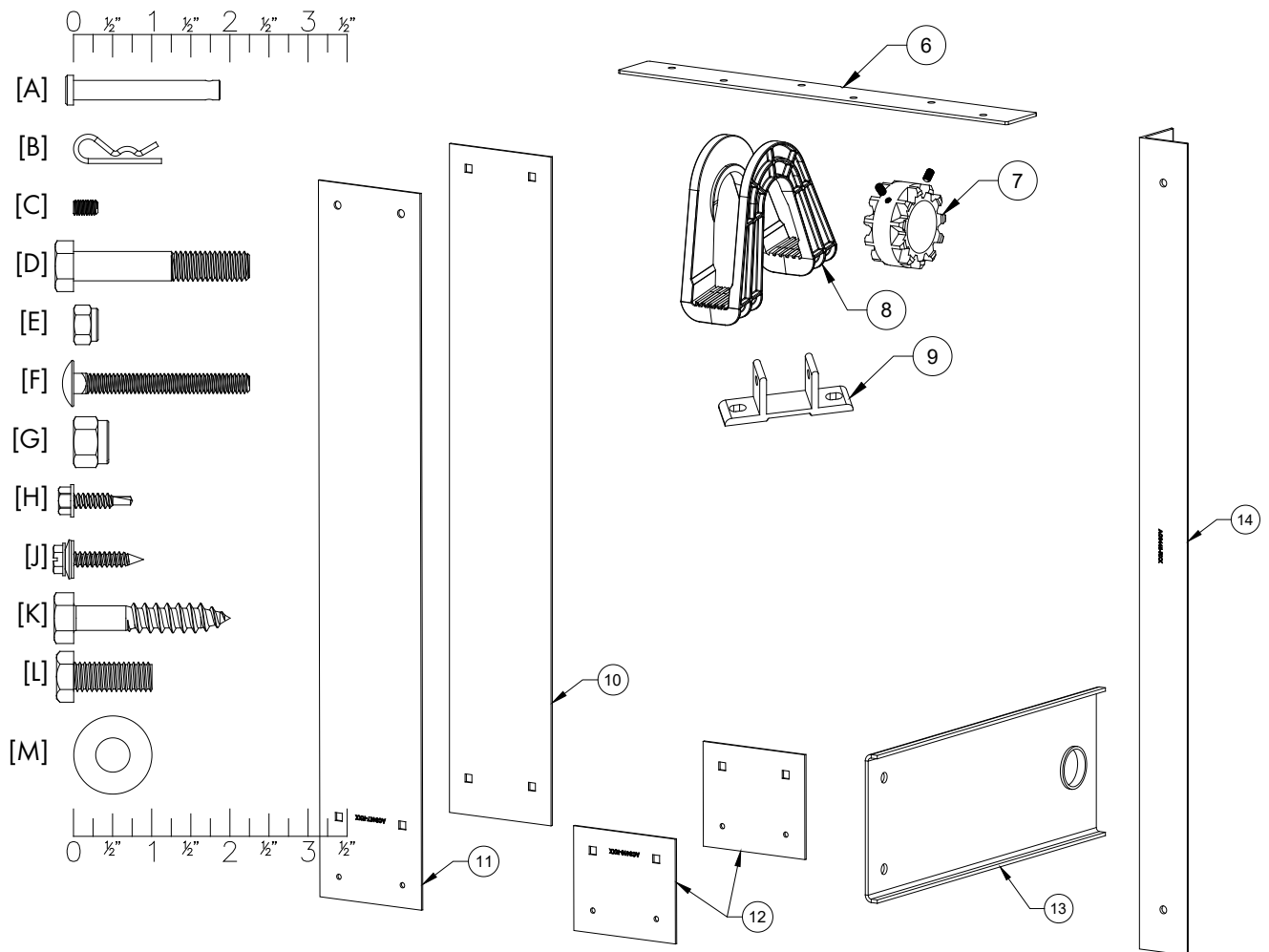


CSI2410 Door Kit

1.2 Parts (continued)

10'L. CSI Door Kit (continued)

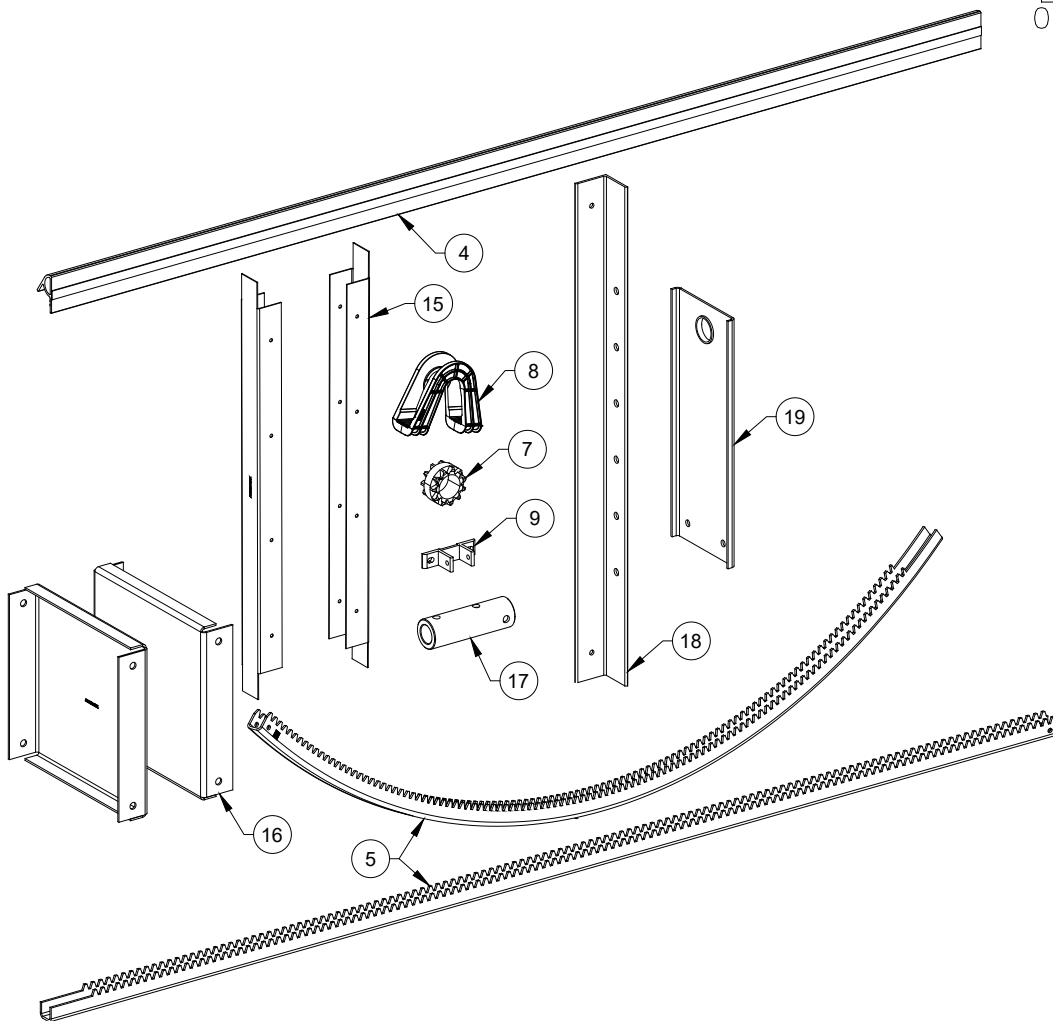
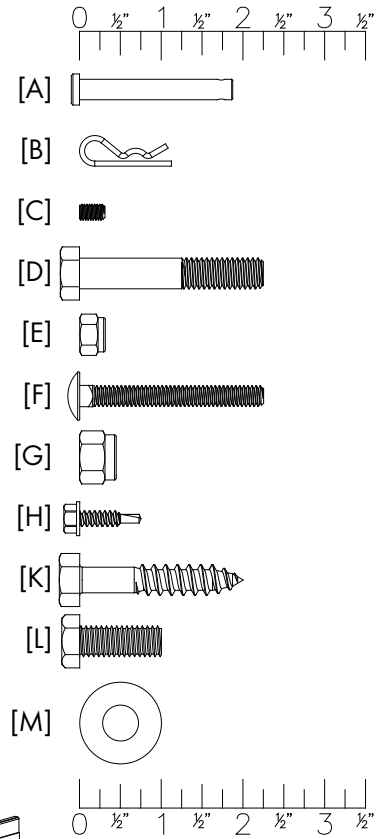
ID	CSI2410 Cat. No.	Qty.	Description
[6]	AC3441	1	Flat Joiner Plate, 12"L., GZ
[7]	AC3720	1	Pinion Gear for 1" Pipe, AL
[8]	AC3708	1	Housing Rack Pinion Gear, PL
[9]	AC3722	1	Pivoting Connector, Rack to Door, AL
[A]	KP1257	1	Clevis Pin, 1/4"D x 2"L., ZP
[B]	KP1105	1	Hairpin Cotter Pin, 0.59"D x 1.13"L., SS
[C]	KS2808	2	M8-1.0, INT-HX, Set Screw, KNRL-CUP, ZP
[D]	KS1064	2	3/8"-16 x 2.25" Hex Bolt, ZP
[E]	KN1717	6	1/4"-20 Hex Flange Nylock Nut, SS
[F]	KS1513	6	1/4"-20 x 2.25" Carriage Bolt, ZP
[G]	KN1709	2	3/8"-16 Nylock Nut, ZP
[H]	KS2282	64	#10-16 x 3/4" HXWSR TEK Screw, SS
[J]	KS1402	64	#9-15 x 1 1/2" Seal Washer Polebarn Screw, ZP
[K]	KS2466	6	3/8" x 2" Lag Screw, ZP
[L]	KS1080	2	3/8"-16 x 1" Hex Bolt, ZP
[M]	KW3036	6	3/8" Flat Washer, USS, ZP
[10]	AC3407	1	Inside Door Support, 24", GZ
[11]	AC3417	1	Outside Door Support, 24", GZ
[12]	AC3410	2	Rack Mounting Plate, GZ
[13]	AC3711	1	Guide Plate w/BRNZ Bushing, 1" Pipe, GZ
[14]	AC3445	1	Guide Plate Angle Mount, AL



1.2 Parts (continued)

Each AC2871 Ending Kit, Offset, Straight Rack Includes:

ID	Cat. No.	Qty.	Description
[4]	KA2156	1	Foam Seal, P-Shape w/ TAB, 2.14"W. x 1.31"H. x 60"L., BLK
[5]	AC3727	1	Straight Rack, 57"Travel, 65"(1650mm) L., GZ
	AC3735	1	Curved Rack, 57"Travel, 65"(1650mm) L., GZ
[7]	AC3722	1	Pivoting Connector, Rack to Door, AL
[8]	AC3708	1	Housing Rack Pinion Gear, PL
[9]	AC3720	1	Pinion Gear for 1" Pipe, AL
[15]	AC3484	2	Door End Trim, 24"L., CSI24, GZ
[16]	AC1438	2	Mounting Bracket, LA Actuator, CTD-GZ
[17]	AC3706	1	Straight Coupling, Actuator to 1" Pipe, 3.5" to CL, GZ
[18]	AC3445	1	Guide Plate Angle Mount, AL
[19]	AC3711	1	Guide Plate w/BRNZ Bushing, 1" Pipe, GZ
[A]	KP1257	1	Clevis Pin, 1/4"D x 2"L., ZP
[B]	KP1105	1	Hairpin Cotter Pin, 0.59"D x 1.13"L., SS
[C]	KS2808	2	M8-1.0, INT-HX, Set Screw, KNRL-CUP, ZP
[D]	KS1064	3	3/8"-16 x 2.25" Hex Bolt, ZP
[E]	KN1717	13	1/4"-20 Hex Flange Nylock Nut, SS
[F]	KS1513	6	1/4"-20 x 2.25" Carriage Bolt, ZP
[G]	KN1709	2	3/8"-16 Nylock Nut, ZP
[H]	KS2282	20	#10-16 x 3/4" HXWSR TEK Screw, SS
[K]	KS2466	10	3/8" x 2" Lag Screw, ZP
[L]	KS1080	6	3/8"-16 x 1" Hex Bolt, ZP
[M]	KW3036	6	3/8" Flat Washer, USS, ZP



2.2 Foam Seal

Step 2

After the Framed Openings are completed, make sure the surface of the 2x lumber is clean and free from debris. The P-Shaped Foam Seal [4], comes in 60" lengths. Starting at 2" from the inside edge of the End Framing, so that it will overlap the side Foam Seal, peel the back from the adhesive on the back of the Foam Seal and affix to the framing with the top of the "P" flush with the top of the framing.

See Figure 2A and 2B. For the Foam Seal on the End Framing, the top of the "P" should be flush with the inside edge of the framing and should run from the inside edge of the Top Framing to the bottom of the Foam Seal on the next frame member. See Figure 2A and 2B.

Step 3

Continue attaching the P-Shaped Foam Seal until there is Foam Seal attached to 3 sides of each Framed Opening. Once the Foam Seal is completely attached, go back and permanently attach to the framing using Staples or Nails in the nailing groove of the Foam Seal Flap. Staples or Nails are not provided and should be spaced every 4" - 6". See Figure 2A and 2B.

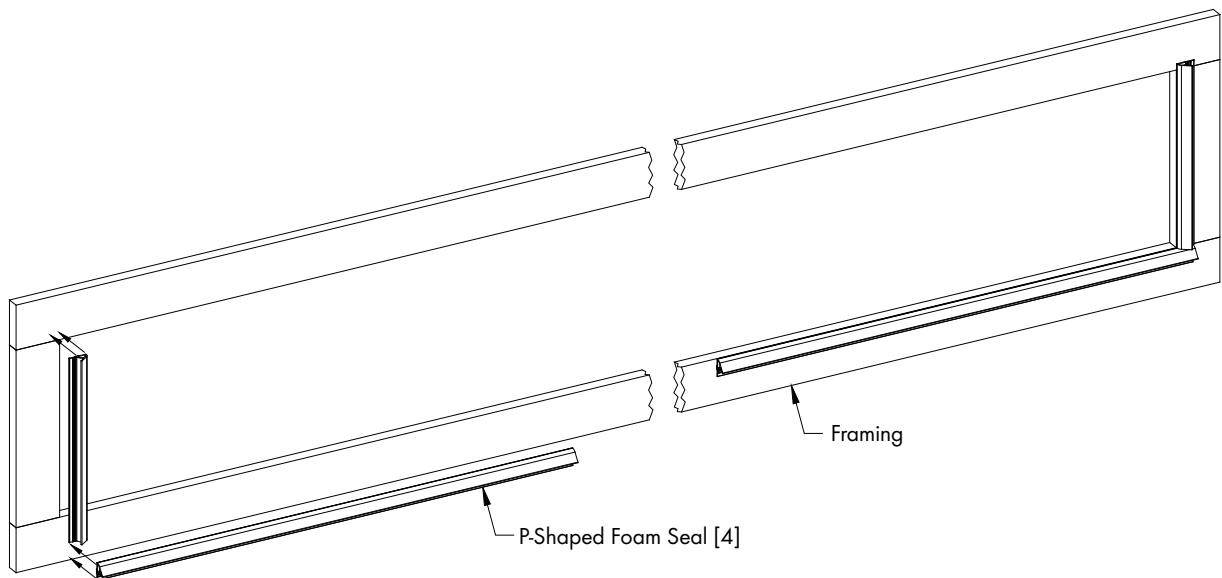


Figure 2A

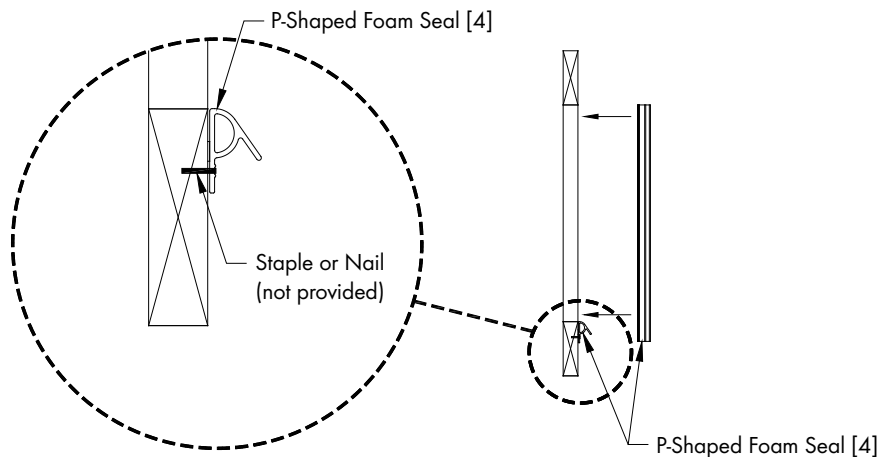


Figure 2B

2.3 Door Assembly

Step 4

Each CSI24 Inlet system that is 30'L. or longer consists of (1) Left Door, (1 or more) Middle Doors and (1) Right Door. The number of Middle Doors depends on the length of the run of CSI24 Doors. For example, if the run of CSI24 Doors is 40'L. then there is (1) Left Door, (2) Middle Doors and (1) Right Door. If the run is 100'L. then there is (1) Left Door, (8) Middle Doors and (1) Right Door. In the next steps all the doors will be assembled before installing them to the framed openings. See Figure 3. If the run is only 20'L. then there is only the Left Door and the Right Door.

NOTE: The Left and Right ends of the system are determined from the Hallway/Actuator side of the inlet, with the inlet mounted in the room.

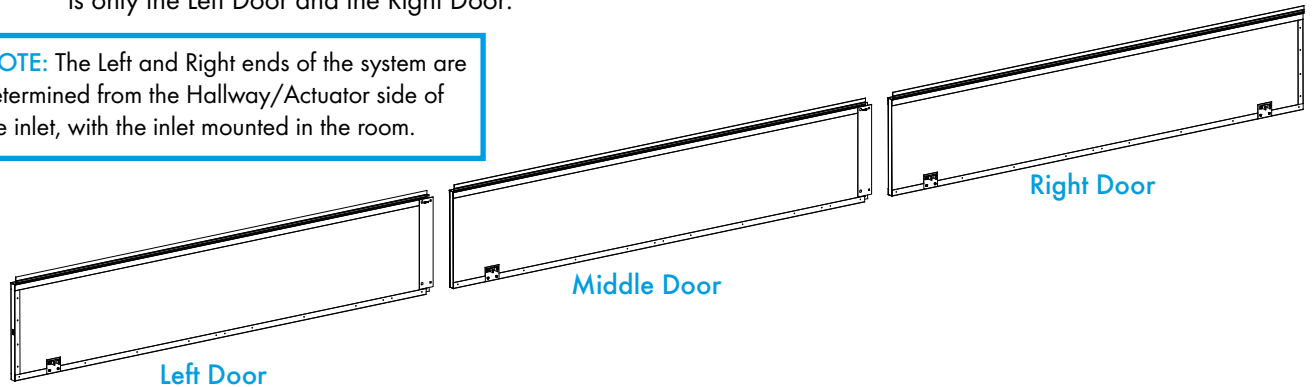


Figure 3
View from Hallway/Hinge Side

2.4 Left Door Assembly

Step 5

Slide Door Edge Trim [2] onto the bottom edge of the CSI24 Door [1] and secure it with (14) TEK Screws [H] through the (6) single holes in the middle area of the Door Edge Trim and the left most hole. See Figure 4.

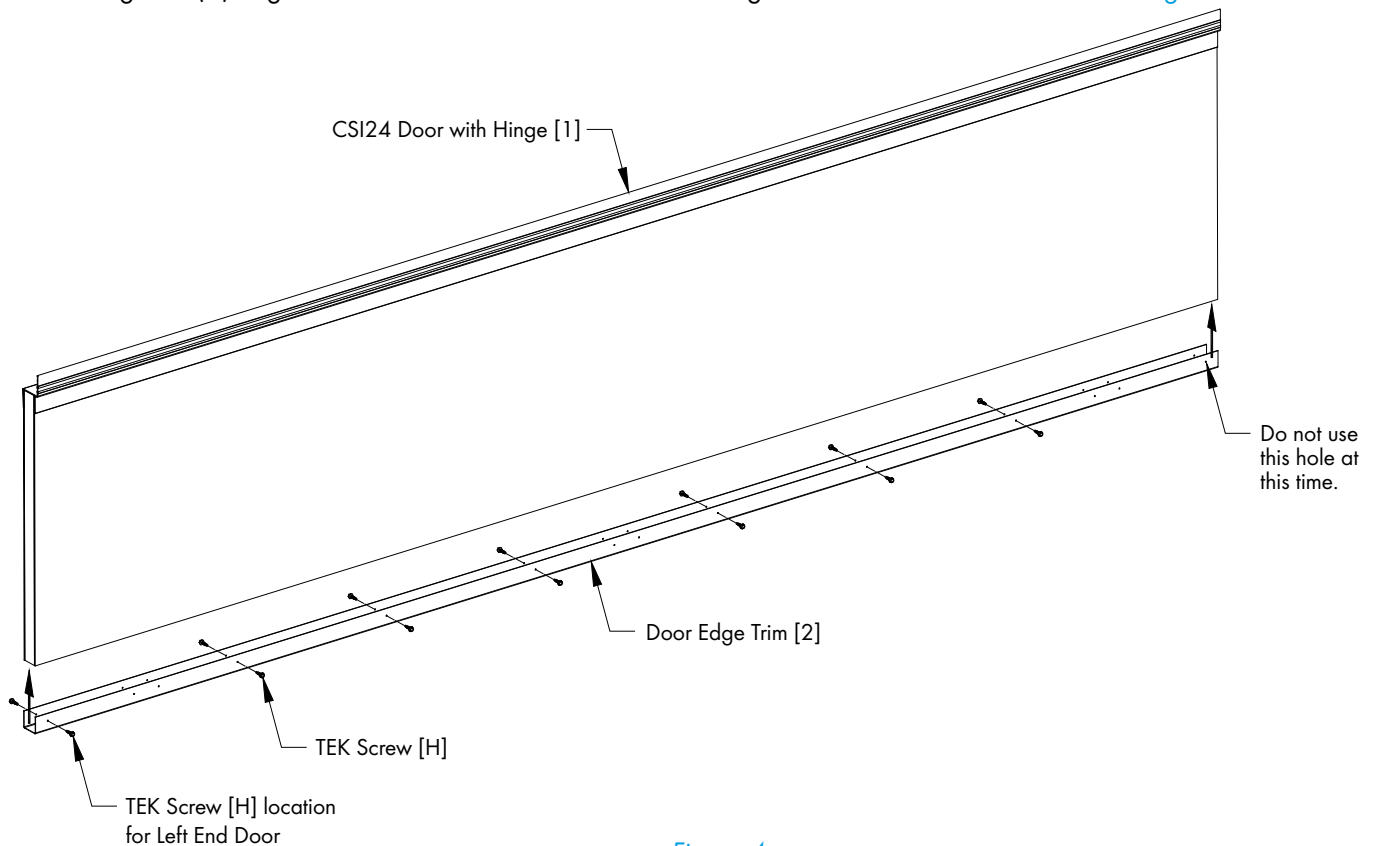


Figure 4

Step 6

Slide a Door End Trim [15] over the Left Door and secure in place with (8) TEK Screws [H]. See Figure 5.

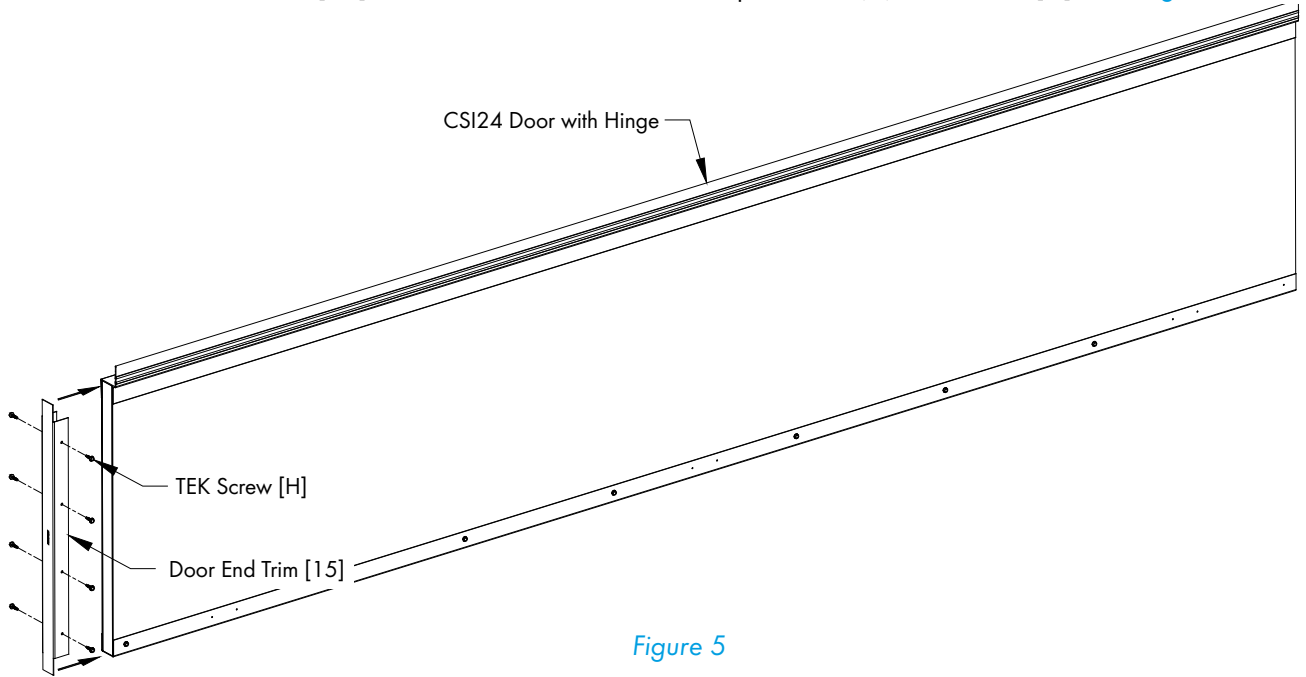


Figure 5

Step 7

For the Left Door, attach a Rack Mounting Plate [12] on each side of the door to the left pair of holes in the Door Edge Trim using (2) TEK Screws [H] per Plate. See Figure 6. Then attach an Outside Door Support [11] (24") at the right end of the CSI24 Door, on the room side, so that half of the Support is on the Door and the other half of the Support hangs off the end. See Figure 6.

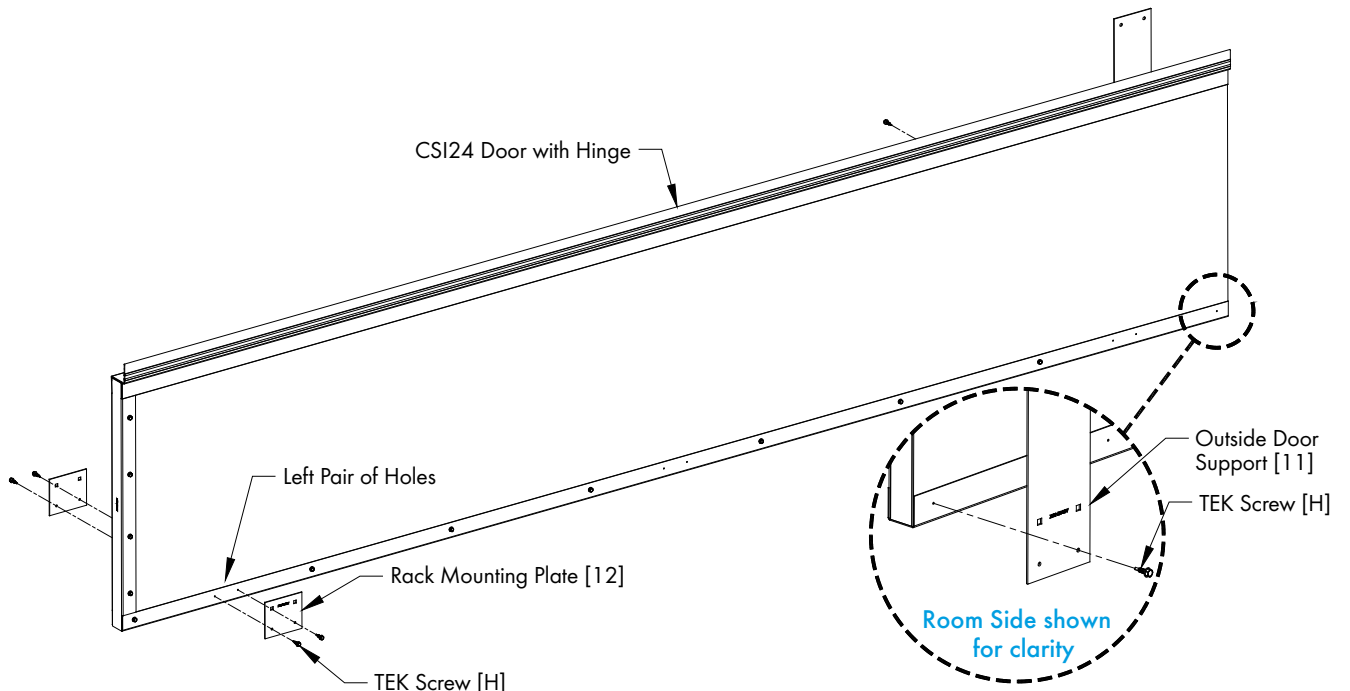


Figure 6

Step 8

Drill a $\frac{3}{32}$ " hole through the CSI24 Door using the Square Holes in the Rack Mounting Plate [12] as a guide. See Figure 7. Make sure the holes go through the holes on one side of the door, through the holes on the other side. Also, drill a $\frac{3}{32}$ " hole through the 2 holes in the Outside Door Support [11]. See Figure 7.

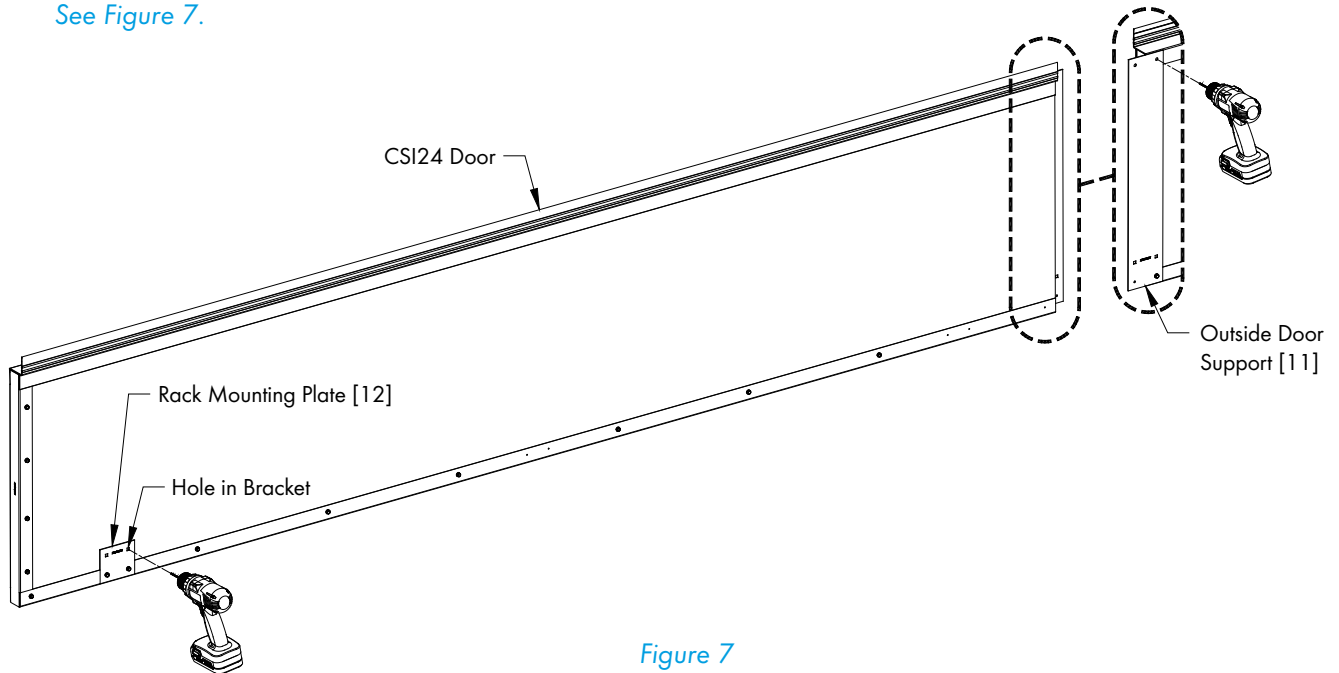


Figure 7

Step 9

Fasten Inside Door Support [10] to back of CSI24 Door in line with Outside Door Support [11] using (2) Carriage Bolts [F] and Nylock Nuts [E] with the Carriage Bolts on the Hinge side of the door. See Figure 8. Secure the Pivoting Connector [9] to the Pair of holes in Rack Mounting Plate on Hinge Side using (2) Carriage Bolts [F] and Nylock Nuts [E], with the Nuts on the Pivoting Connector. See Figure 8.

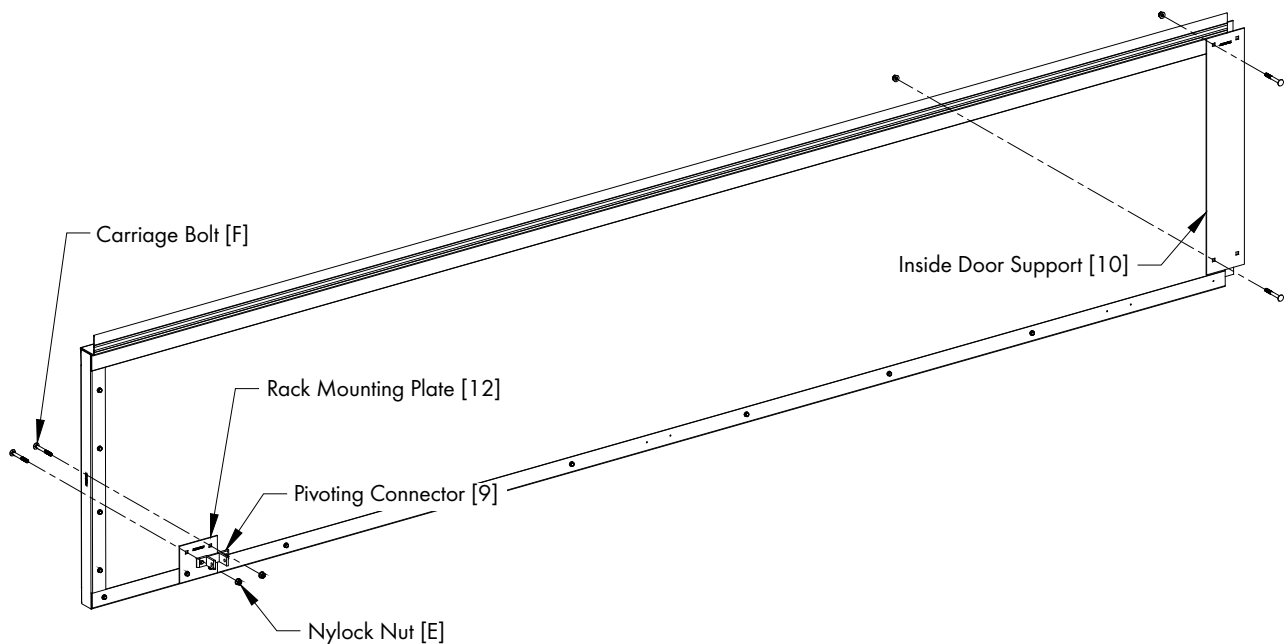


Figure 8

2.5 Middle Door Assembly

Step 10

Slide Door Edge Trim [2] onto the bottom edge of the CSI24 Door [1] and secure it with (12) TEK Screws [H] through the (6) single holes in the middle area of the Door Edge Trim, leave the left most and right most holes empty. See Figure 9.

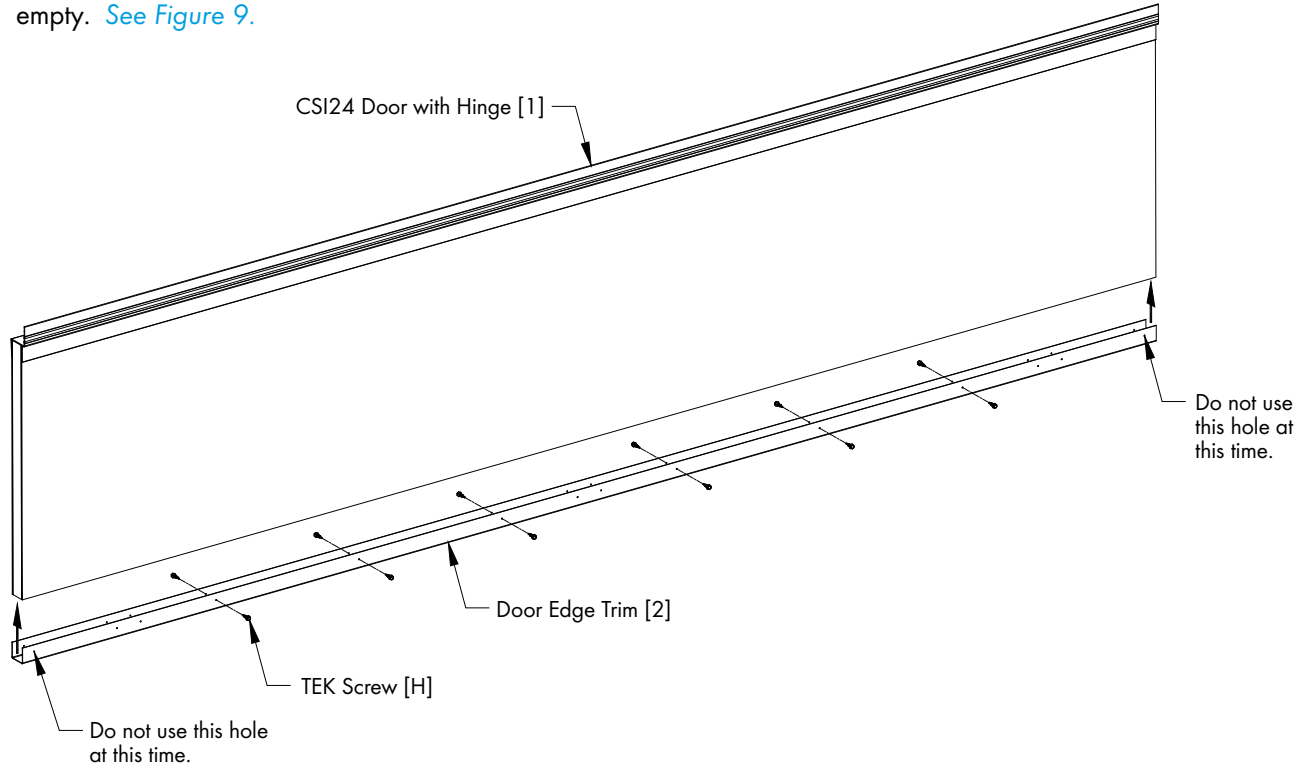


Figure 9

Step 11

Attach a Rack Mounting Plate [12] on each side of the door to the left pair of holes in the Door Edge Trim using (2) TEK Screws [H] per Plate. See Figure 10. Then attach an Outside Door Support [11] (24") at the right end of the CSI24 Door, on the room side, so that half of the Support is on the Door and the other half of the Support hangs off the end. See Figure 10.

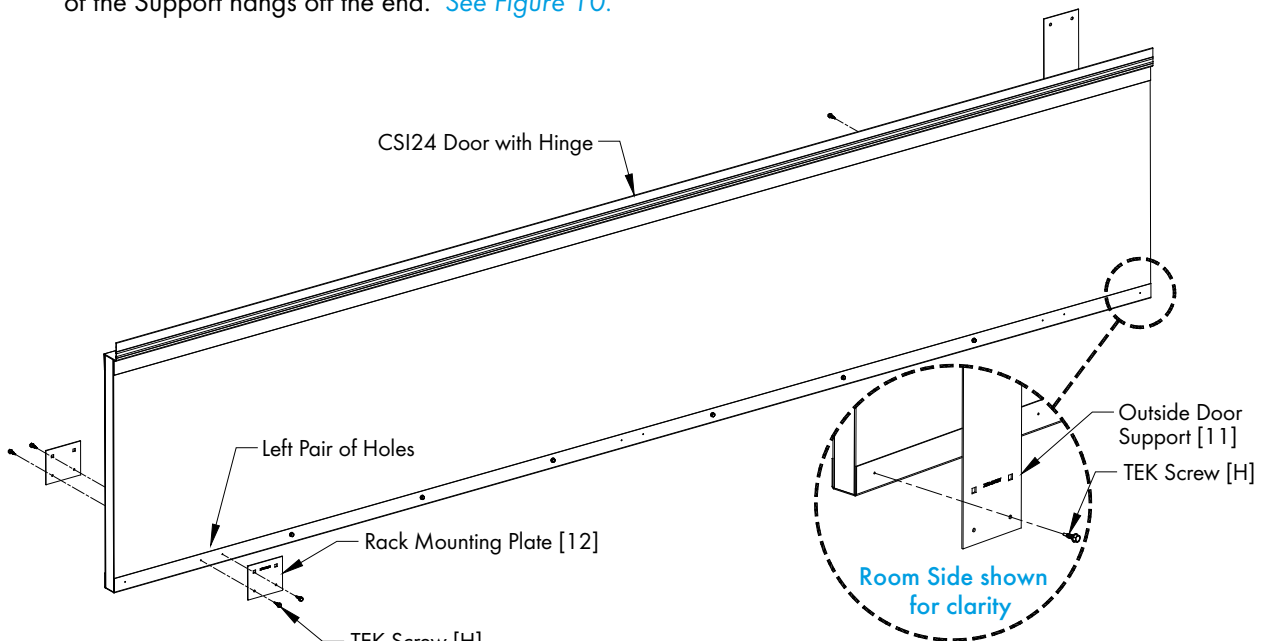


Figure 10

Step 12

Drill a $\frac{1}{32}$ " hole through the CSI24 Door using the Square Holes in the Rack Mounting Plate [12] as a guide. See Figure 11. Make sure the holes go through the holes on one side of the door, through the holes on the other side. Also, drill a $\frac{1}{32}$ " hole through the 2 holes in the Outside Door Support [11]. See Figure 11.

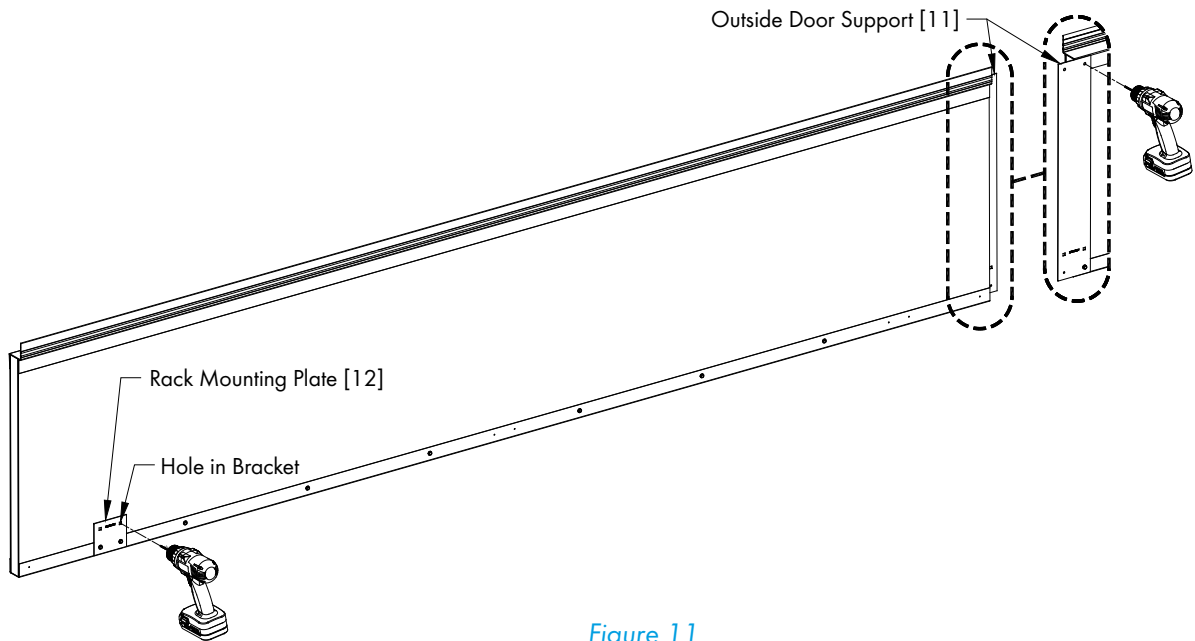


Figure 11

Step 13

Fasten Inside Door Support [10] to back of CSI24 Door in line with Outside Door Support [11] using (2) Carriage Bolts [F] and Nylock Nuts [E] with the Carriage Bolts on the Hinge side of the door. See Figure 12. Secure the Pivoting Connector [9] to the Pair of holes in Rack Mounting Plate on Hinge Side using (2) Carriage Bolts [F] and Nylock Nuts [E], with the Nuts on the Pivoting Connector. See Figure 12.

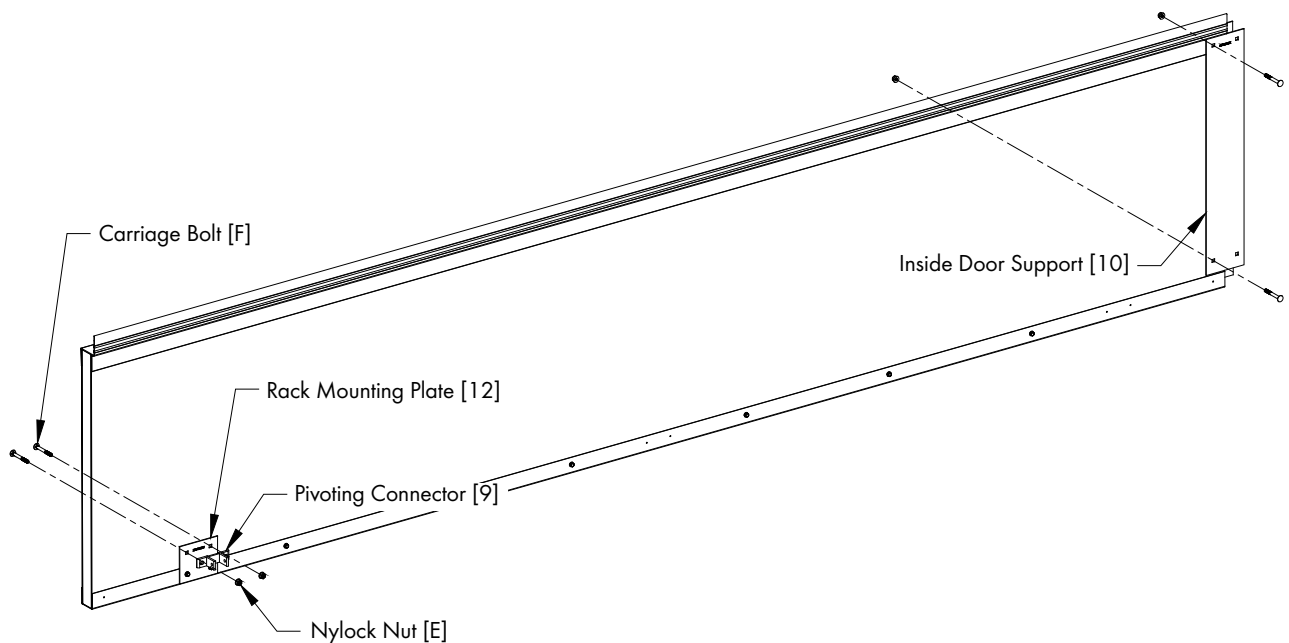


Figure 12

2.6 Right Door Assembly

Step 14

Slide Door Edge Trim [2] onto the bottom edge of the CSI24 Door [1] and secure it with (14) TEK Screws [H] through the (6) single holes in the middle area of the Door Edge Trim and the right most hole. See Figure 13.

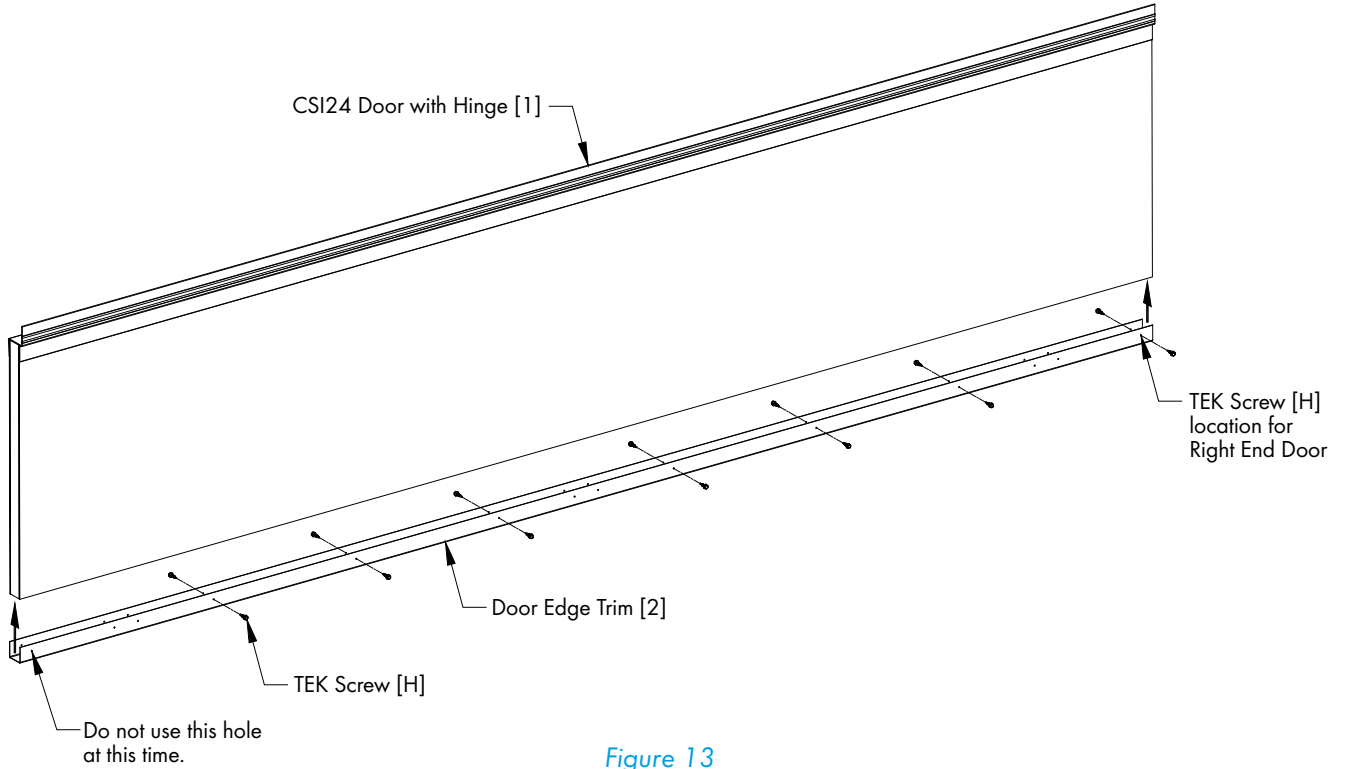


Figure 13

Step 15

Slide a Door End Trim [15] over the Left Door and secure in place with (8) TEK Screws [H]. See Figure 14.

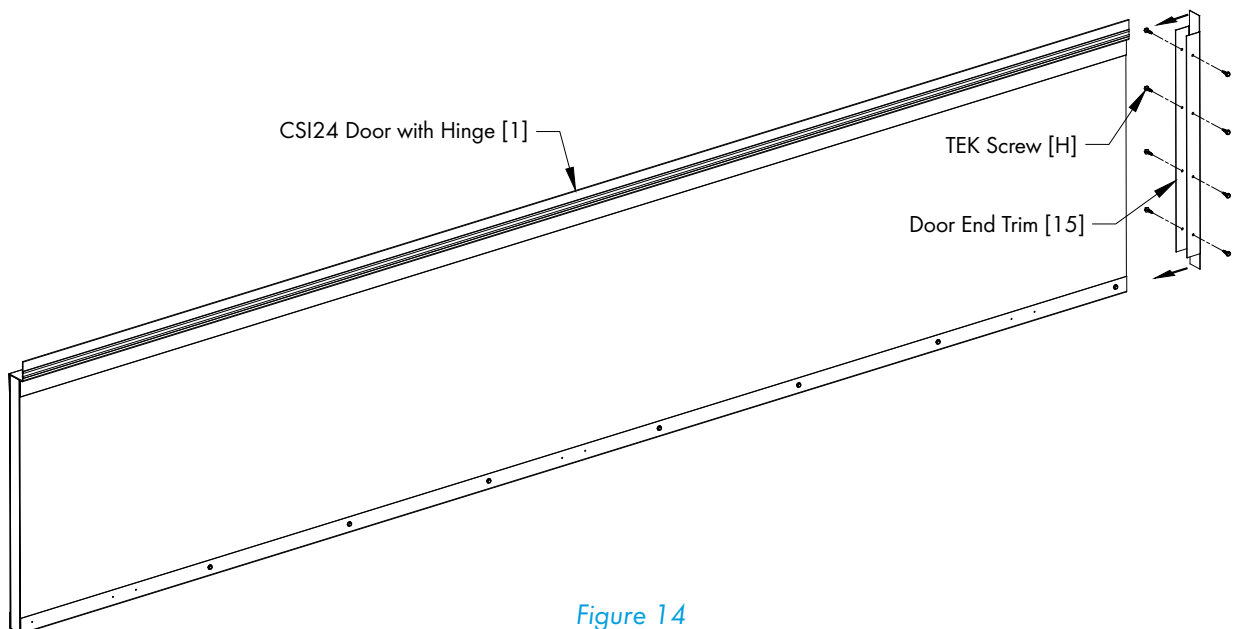


Figure 14

Step 16

Attach (2) Rack Mounting Plates [12] on each side of the door to the left pair of holes and to the right pair of holes in the Door Edge Trim using (2) TEK Screws [H] per Plate. [See Figure 6.](#)

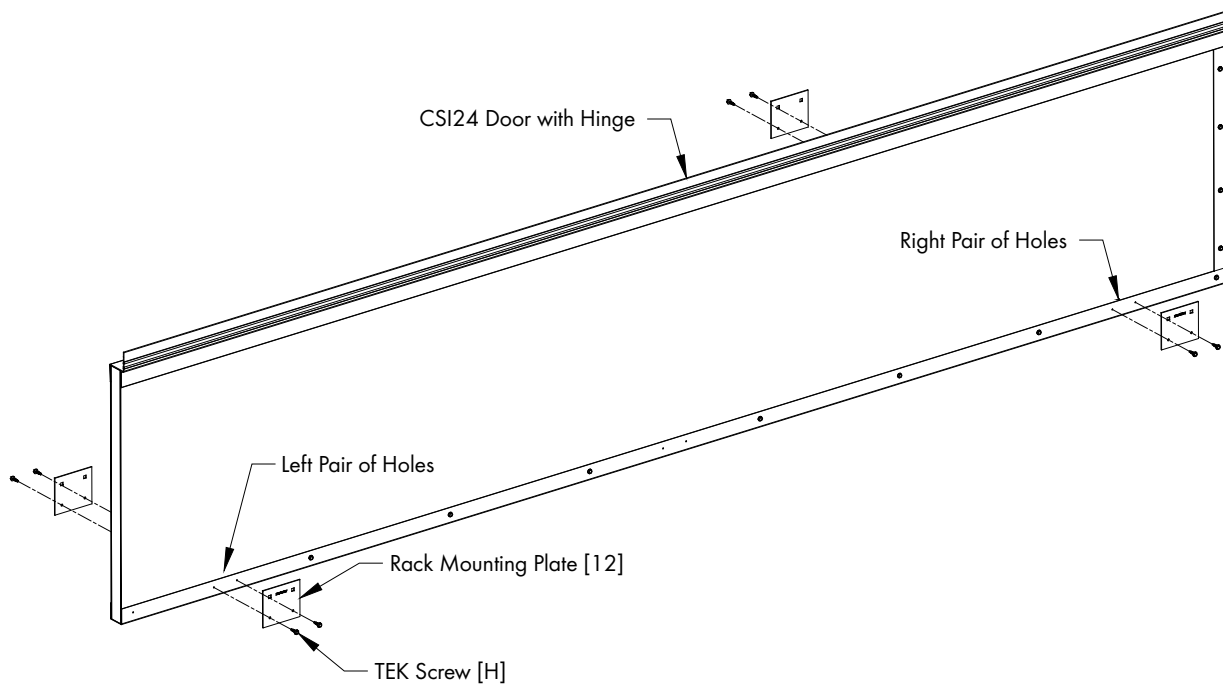


Figure 15

Step 17

Drill a $\frac{3}{32}$ " hole through the CSI24 Door using the Square Holes in the Rack Mounting Plate [12] as a guide. [See Figure 11.](#) Make sure the holes go through the holes on one side of the door, through the holes on the other side.

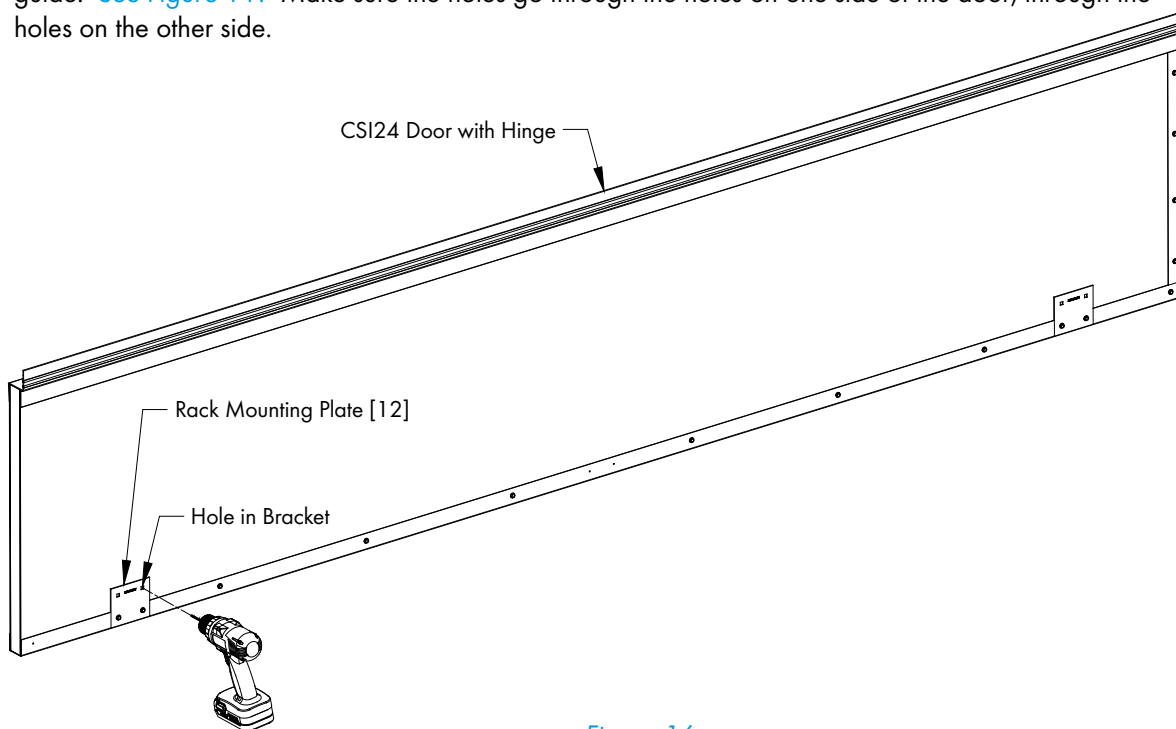


Figure 16

Step 18

Secure a Pivoting Connector [9] to the Pair of holes in each Rack Mounting Plate on Hinge Side using (2) Carriage Bolts [F] and Nylock Nuts [E], with the Nuts on the Pivoting Connector. See Figure 17.

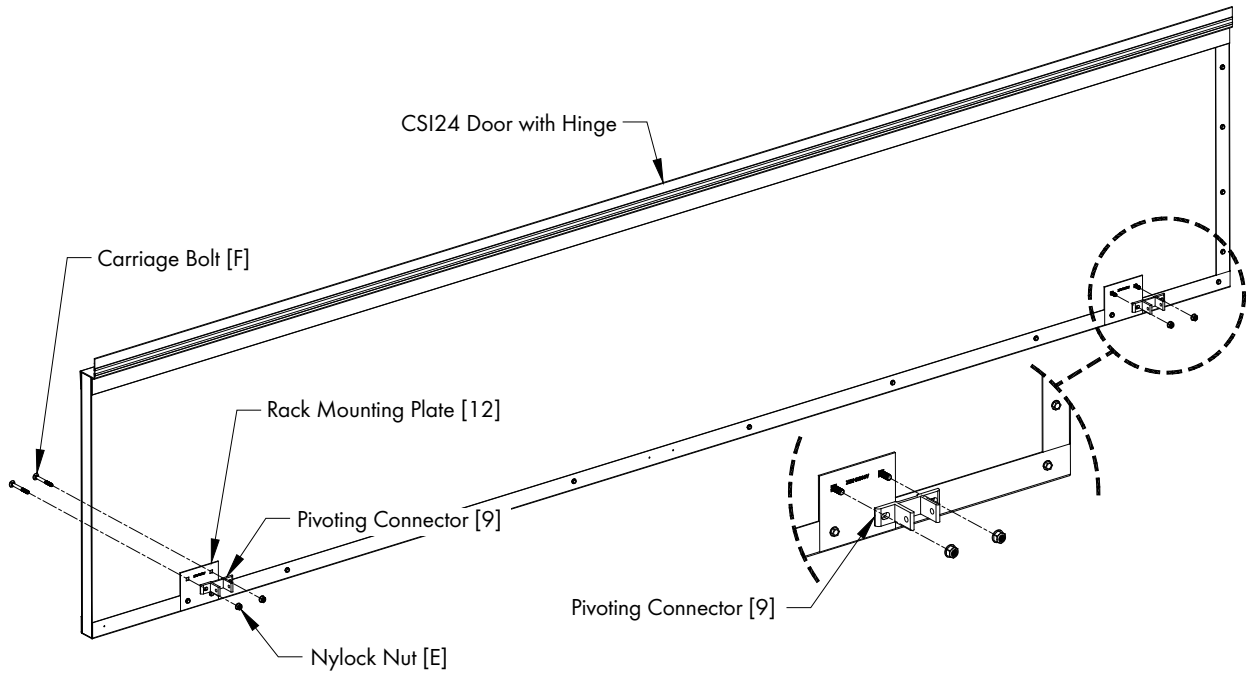


Figure 17

2.7 Door Installation

Step 19

Begin hanging the CSI24 Doors by snapping a chalk line $2\frac{1}{2}$ " up from the bottom edge of the Top Framing piece. Then hold a Left CSI24 Door in place with the Top Edge of the CSI24 Door Hinge aligned with chalk line and the End of the Door overlapping the End Framing by 2" and attach Left CSI24 Door to Framing using Polebarn Screws [J]. The first screw should be 2" from the end and space the rest of the screws 4" apart.

See Figure 18.

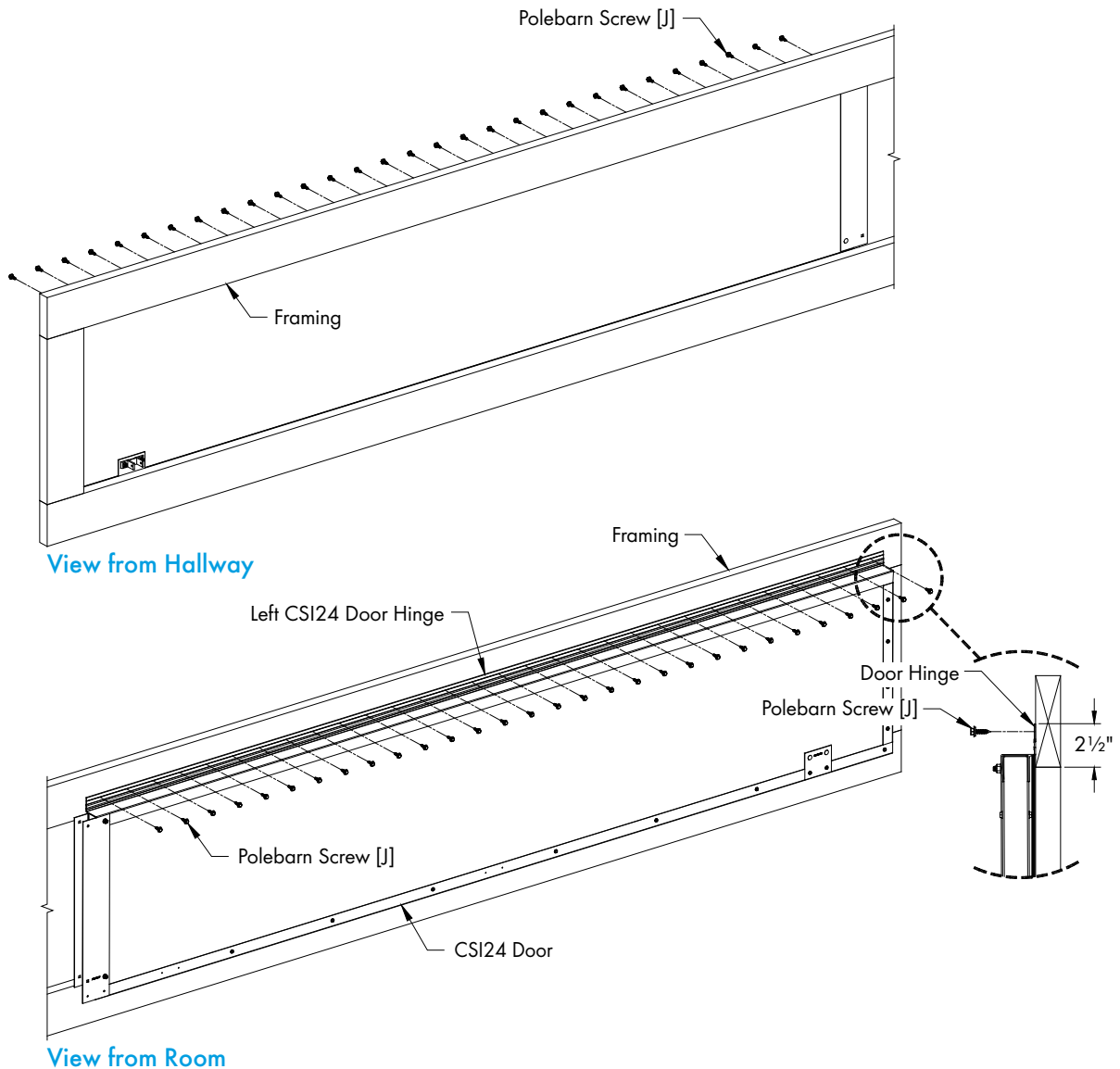


Figure 18

Step 20

Apply a Bead of Caulk (not provided) to the end of the Middle CSI24 Door that will attach to left door. Carefully slide caulked end of Middle CSI24 Door in between the Outside Door Support and Inside Door Support on the end of Left Door. Align Middle CSI24 Door Hinge to chalk line and hold firmly against installed CSI24 Door and attach to framing using Polebarn Screws [J] spaced 4" apart. See Figure 19.

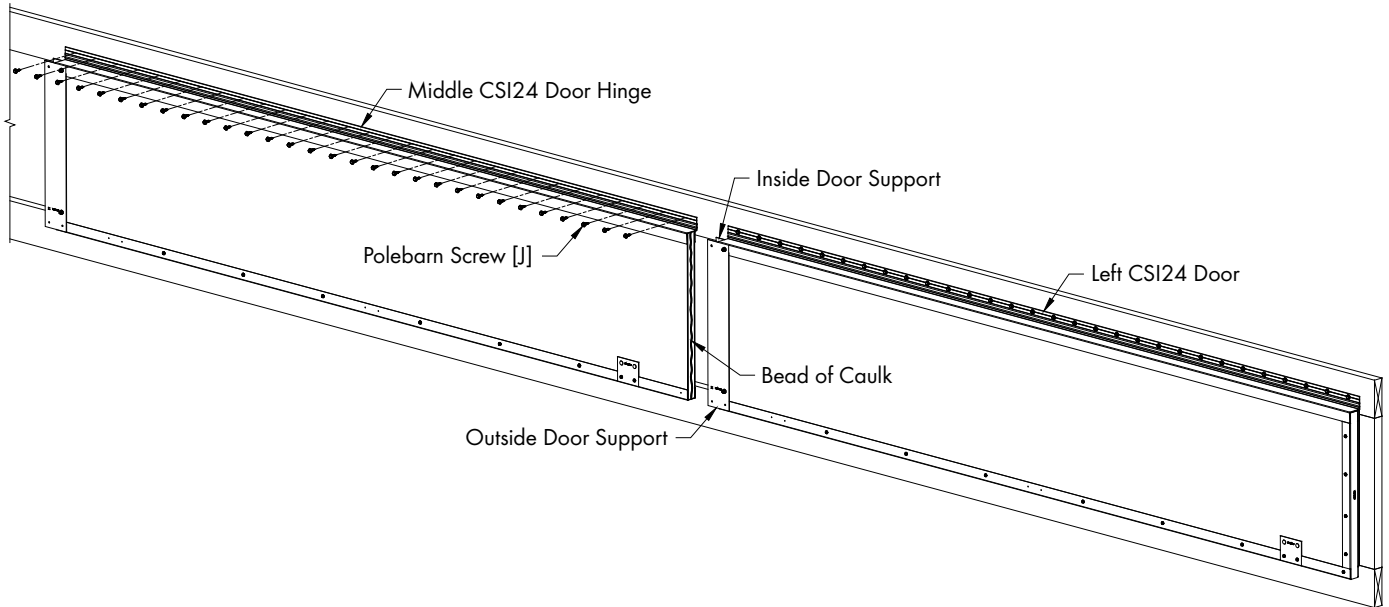


Figure 19

Step 21

Secure Outside Door Support from Left Door to Middle Door using (1) TEK Screws [H]. Then using the round hole and square hole as a guide, drill (2) 3/32" holes through Middle Door. See Figure 20. Make sure the drill bit goes through straight and goes through the holes in the Inside Door support.

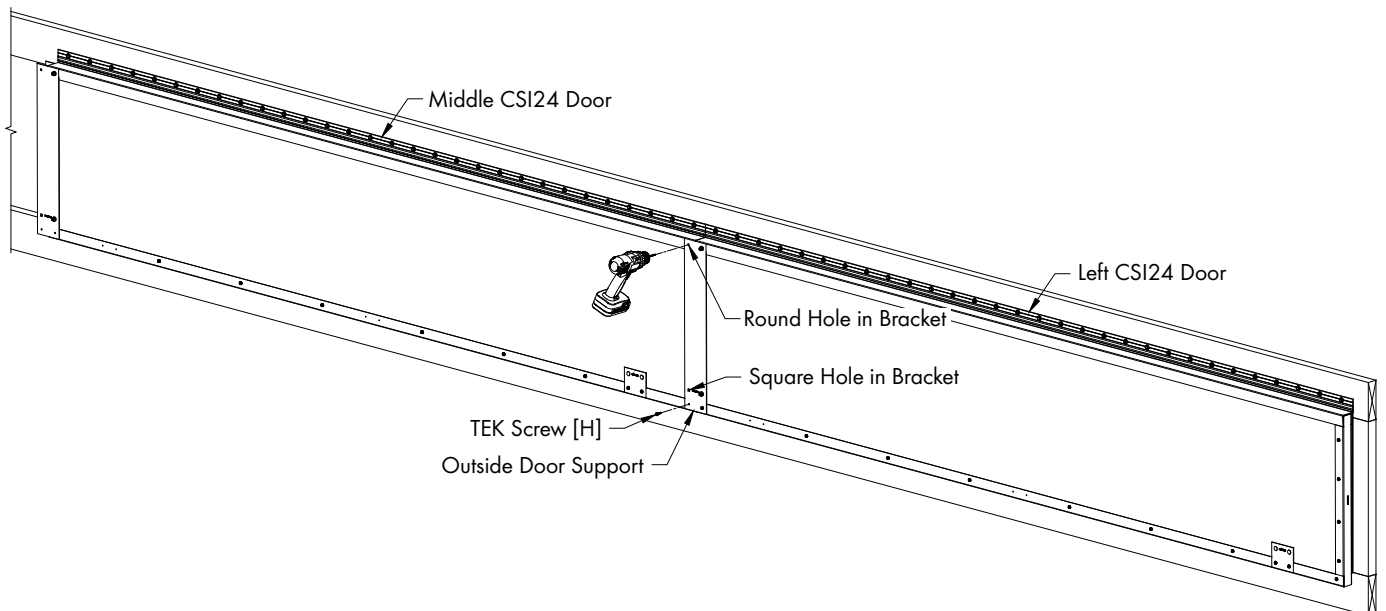


Figure 20

Step 22

Secure Left Door and Middle Door together with (2) Carriage Bolts [F] and Nuts [E] through (2) holes in Inside and Outside Door Supports. See Figure 21. Apply a bead of caulk to the joint between doors at the hinge and the top of the doors.

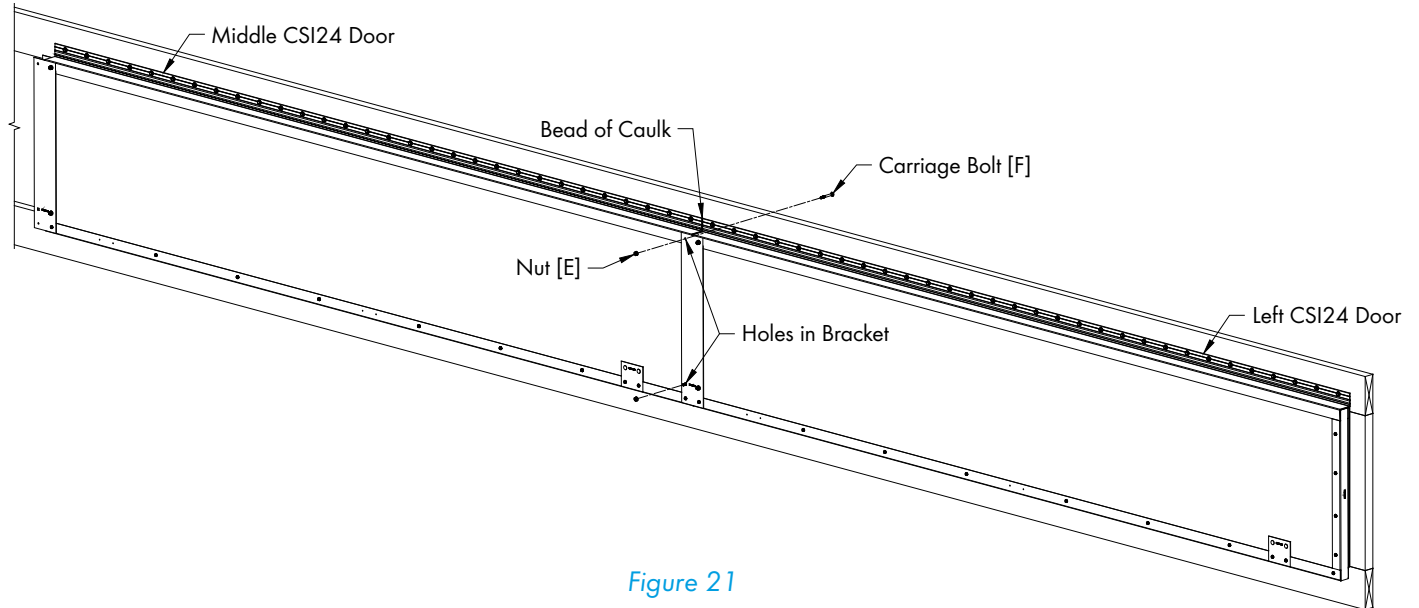


Figure 21

Step 23

Repeat Steps 20, 21 and 22 for the remainder of the Middle Doors in the row until you just have the Right CSI24 Door to install.

Step 24

When the Right CSI24 Door is installed, tight against the last Middle Door, it should overlap the right End Framing by 2". If needed, the left end of the Right CSI24 Door may be trimmed to allow proper fit and overlap. See Figure 22.

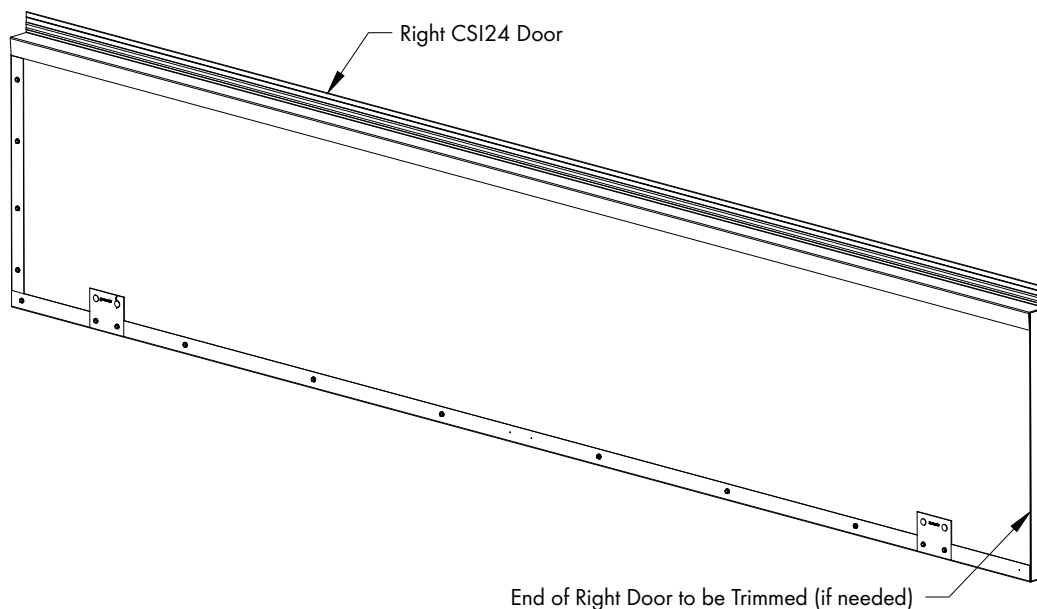


Figure 22

Step 25

Apply a Bead of Caulk (not provided) to the end of the Right CSI24 Door and carefully slide end of Right CSI24 Door in between the Outside Door Support and Inside Door Support on the end of Middle Door. Align Right CSI24 Door Hinge to chalk line and hold firmly against Middle CSI24 Door and attach to framing using Polebarn Screws [J] spaced 4" apart. See Figure 23.

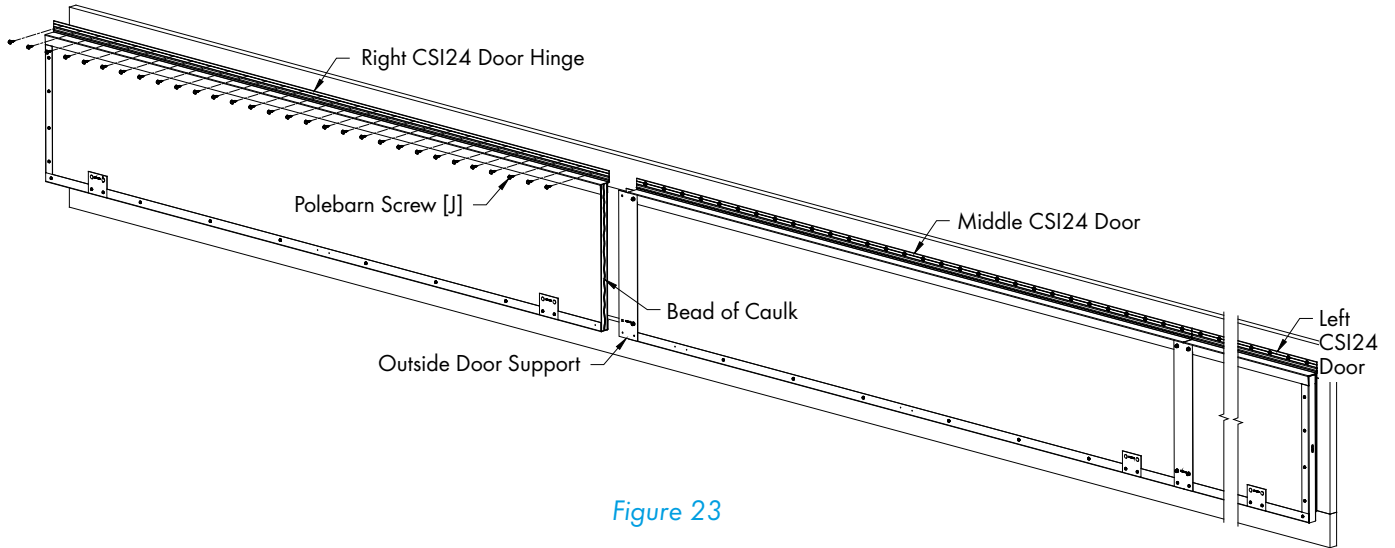


Figure 23

Step 26

Secure Outside Door Support from Middle Door to Right Door using (1) TEK Screws [H]. Then using the round hole and square hole as a guide, drill (2) 3/32" holes through Middle Door. See Figure 24. Make sure the drill bit goes through straight and goes through the holes in the Inside Door support.

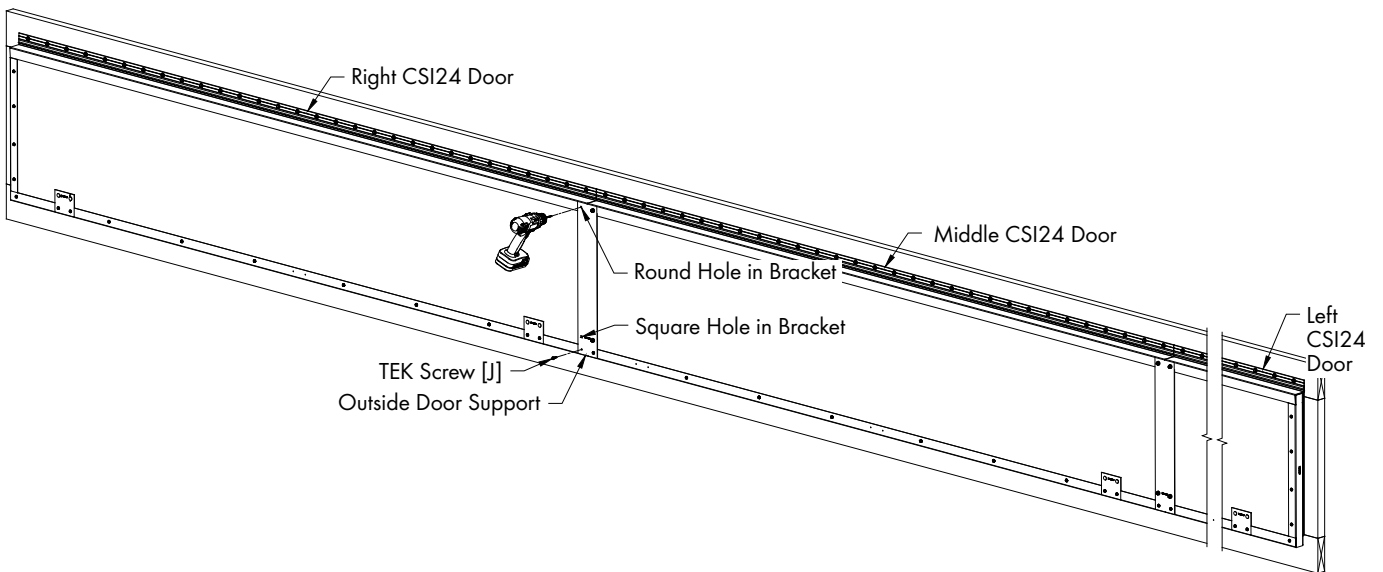


Figure 24

Step 27

Secure Middle and Right Doors together with (2) Carriage Bolts [F] and Nuts [E] through (2) holes in Inside and Outside Door Supports. See Figure 25. Apply a bead of caulk to the joint between doors at the hinge and the top of the doors.

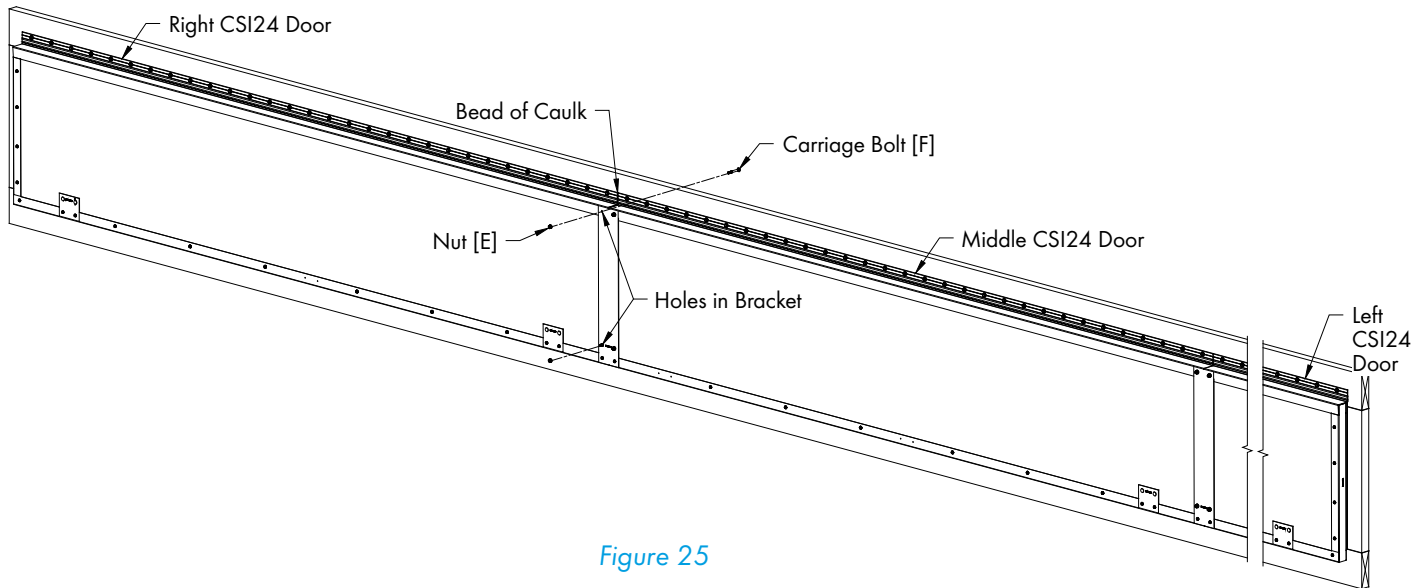


Figure 25

Step 28

On the bottom of the doors, at the joint between each pair of doors attach a Flat Joiner Plate [6] with (6) TEK Screws [H]. Make sure the V-Notch in the Joiner Plate is aligned with the joint in the door and (3) TEK Screws [H] go into each door. See Figure 26.

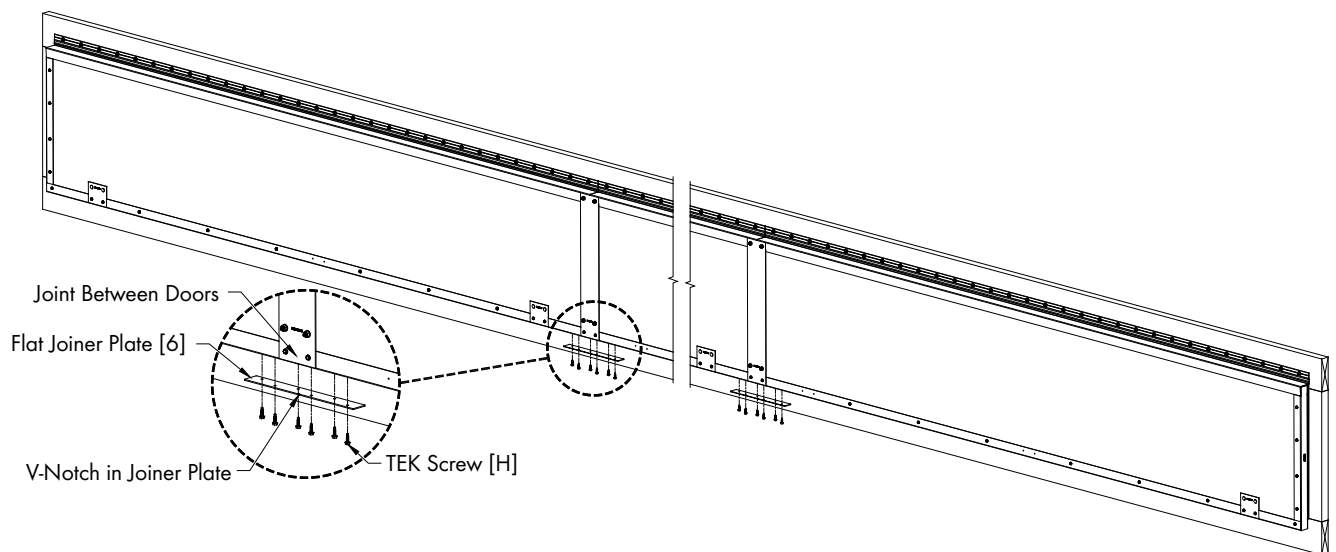


Figure 26

2.8 Drive Frame Installation

Step 29

Install additional framing on one end of the framing so (2) Actuator Mounting Brackets [16] can be installed. The top of the Brackets should be 10" above the top of the bottom framing and the first Bracket should be 9" from end inside edge of the end framing and the second Bracket should be 7³/₈" from the first Bracket. See Figure 27.

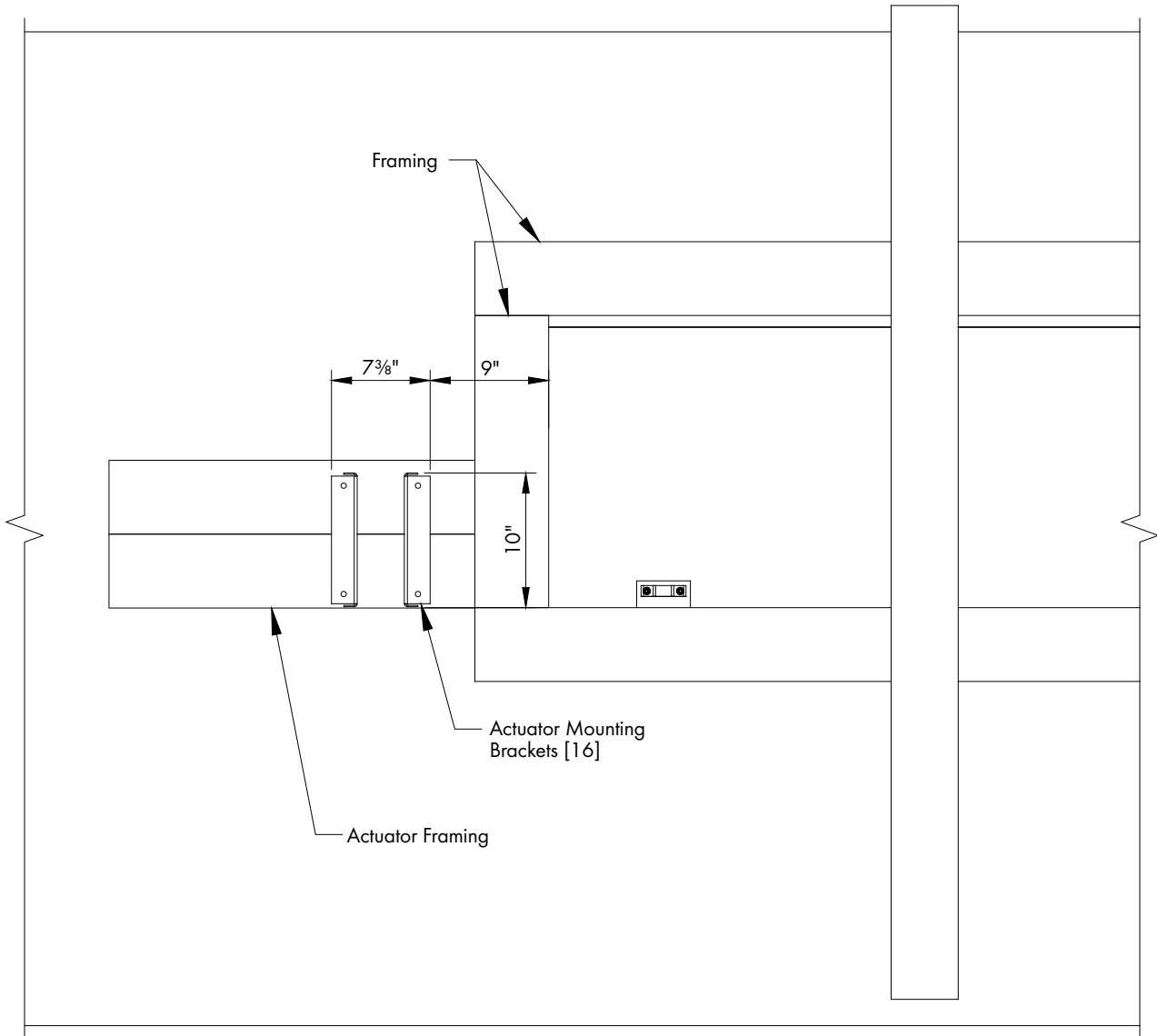


Figure 27

Step 30

Fasten Actuator Mounting Brackets [16] to the framing in the position shown in previous step with (4) Lag Screws [K]. See [Figure 28](#).

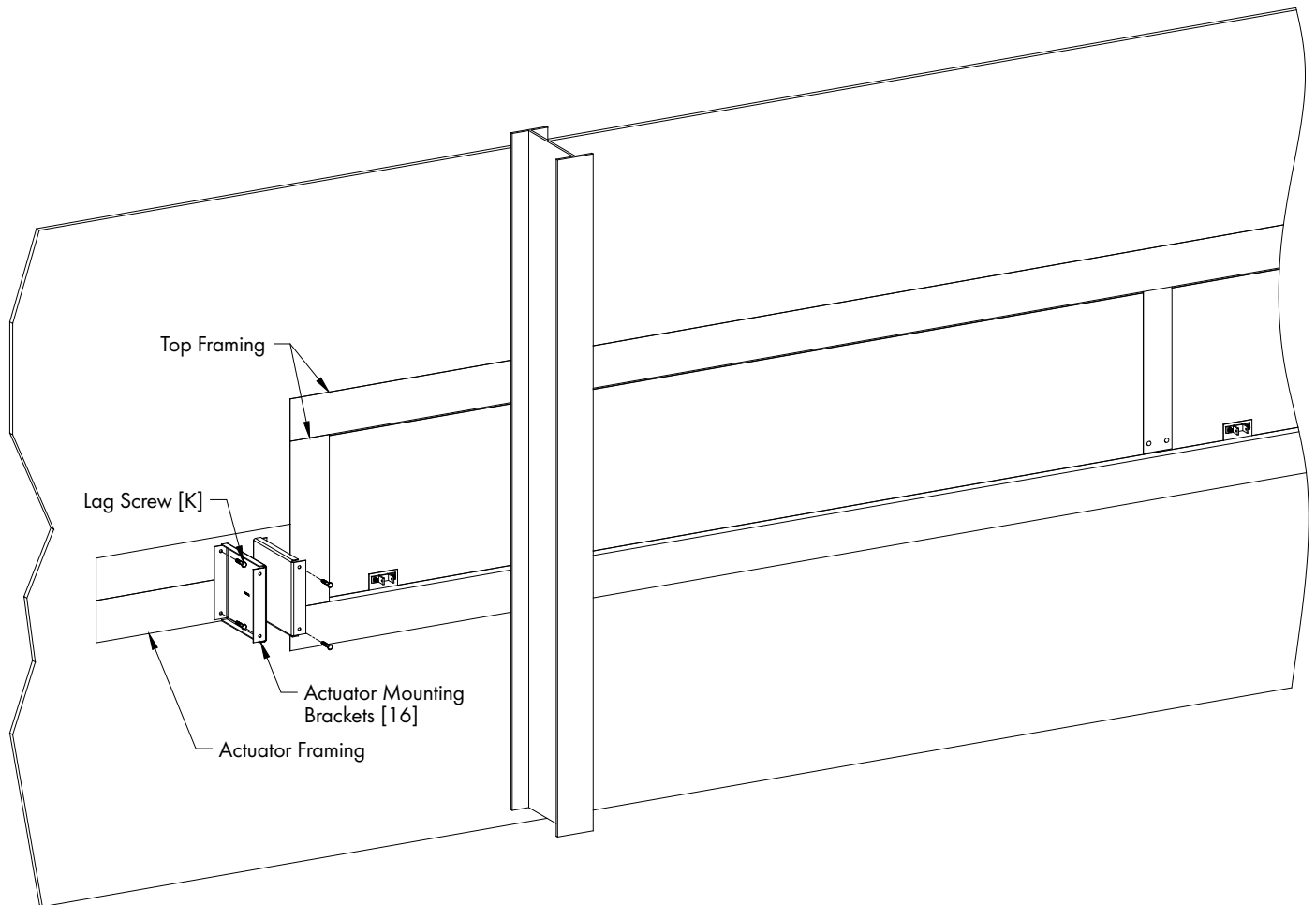


Figure 28

Step 31

Secure a Guide Plate Angle Mount [18] to the top and bottom framing, 12" from end framing using (2) Lag Screws [H]. Then mount (1) Guide Plate Angle Mount [18] every 10'-0" O.C., with the last Guide Plate Angle Mount [18] being 12" before the end framing. See Figure 29. Make sure the Angle Mounts are mounted square to the framing.

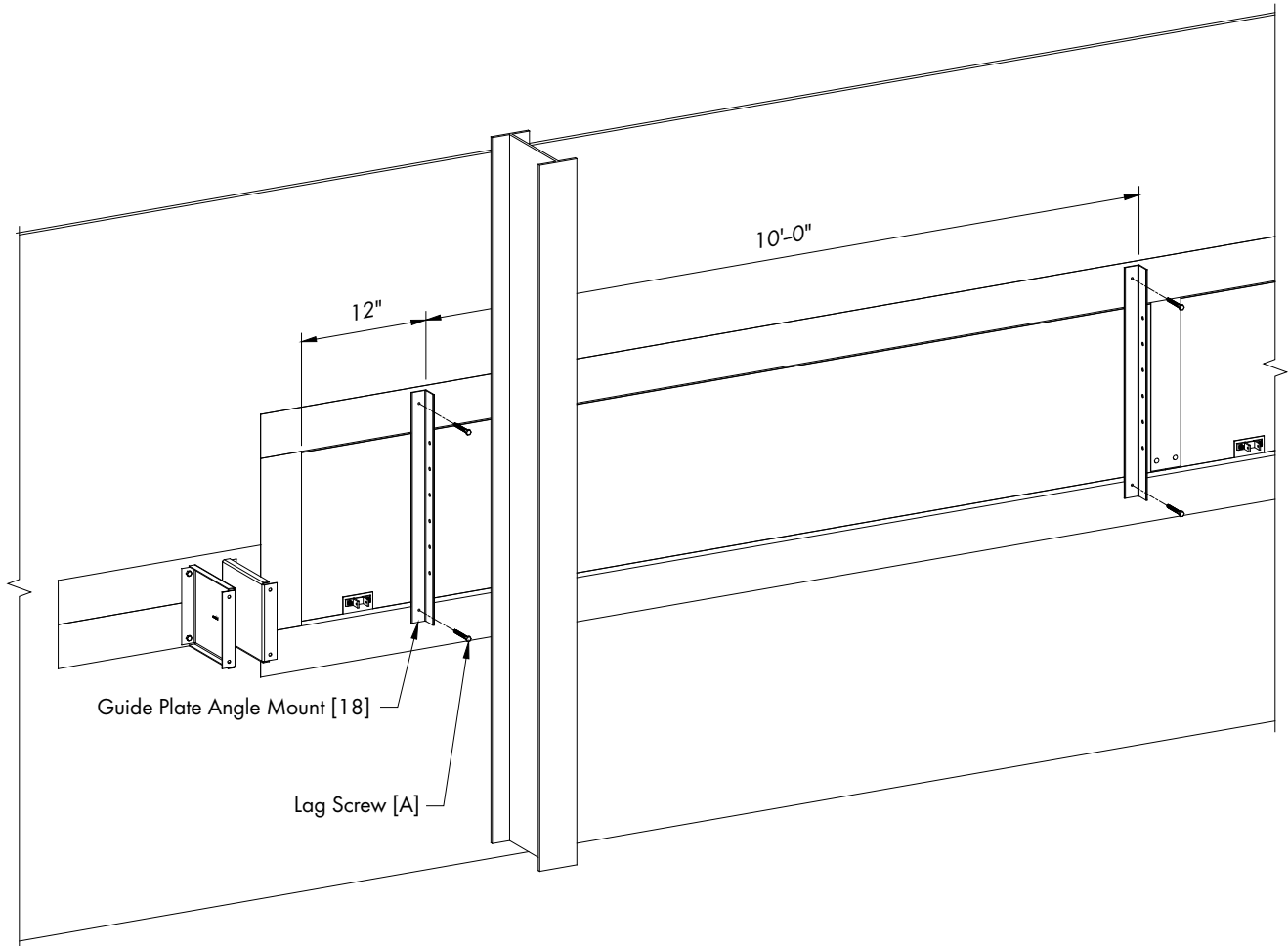


Figure 29

Step 32

Secure (1) Guide Plate [19] to each Guide Plate Angle Mount [18] using (2) Bolts [L], (4) Washers [M] and (2) Nylock Nuts [G] in the lower pair of holes in Angle Mount. [See Figure 30.](#)

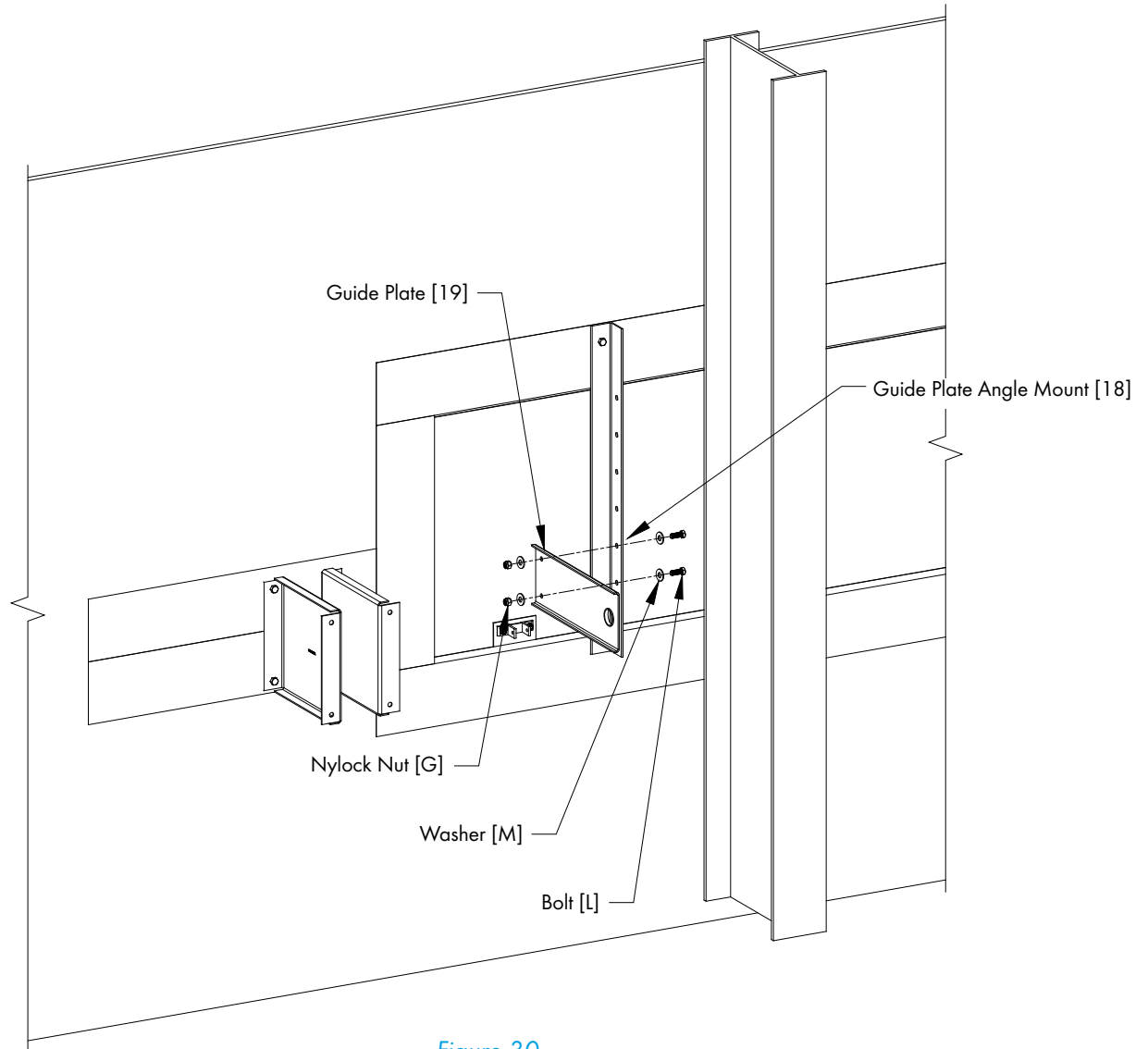


Figure 30

2.9 Actuator Installation

Step 33

Attach Actuator to Actuator Mount Bracket [16] using (4) Bolts [L] and (4) Nuts [G]. See Figure 31. Make sure the Shaft extending from the Actuator is aligned with the Drive Pipe.

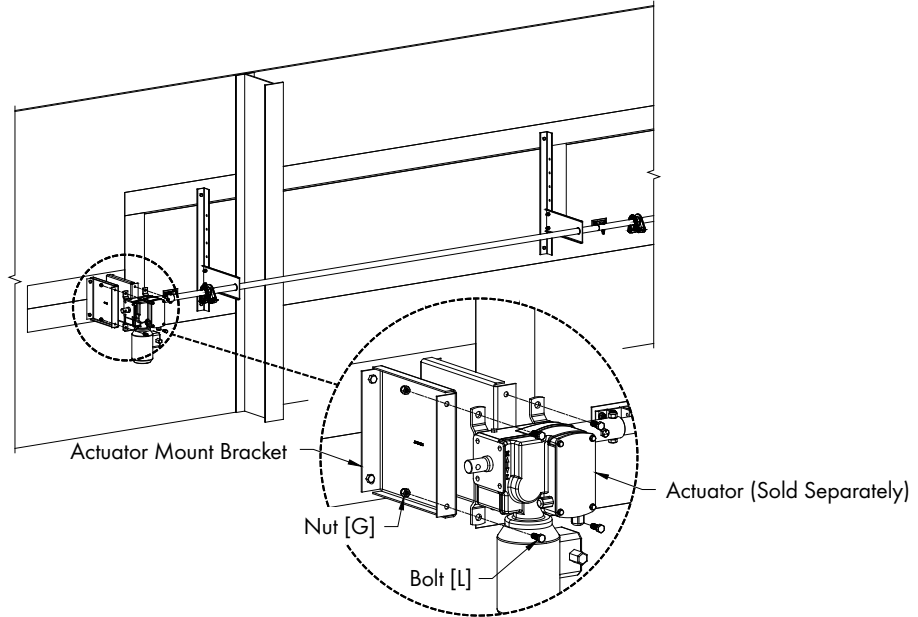


Figure 31

2.10 Drive Pipe Preparation

Step 34

For the 126"L. Drive Pipe [3] that will be at the actuator end, slide the Straight Coupling [19] over the large end of the pipe so that the (2) holes are over the pipe. Then using these holes as a guide, drill (2) pilot holes through the pipe and then drill (2) $1\frac{3}{32}$ " dia. holes through the pipe. See Figure 32.

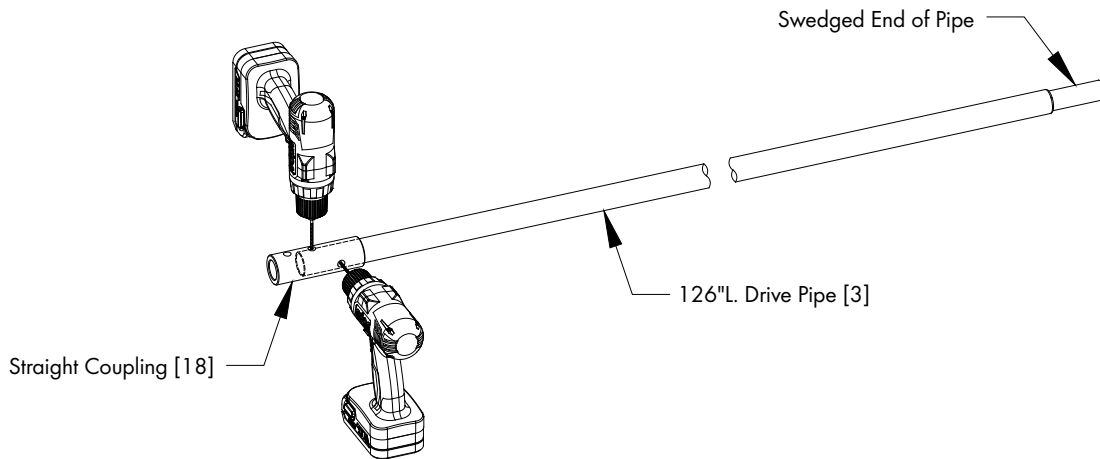


Figure 32

Step 35

FOR the next Drive Pipe [3], slide the large end over the swaged end of the previous pipe and drill a $1\frac{3}{32}$ " dia. hole through the 2 pipes, $1\frac{1}{2}$ " from the end of the large pipe. Continue this for all the pipes in system. See [Figure 33](#). Set all drilled pipe aside for later installation. It may be helpful to mark each pipe as it is drilled so that when they are installed the pipes that are pre-drilled together will be installed together.

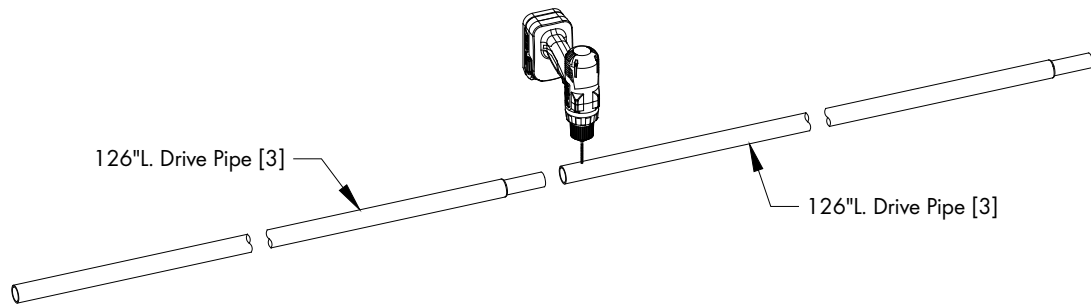


Figure 33

2.1.1 Drive Pipe Installation**Step 36**

Install (2) Set Screws [C] in each Pinion Gear [7]. See [Figure 34A](#). Slide (1) Pinion Gear with Set Screws onto the first pre-drilled Drive Pipe [3]. See [Figure 34B](#). Each Pinion Gear will eventually line-up with each Door Support CHNL Bracket [6].

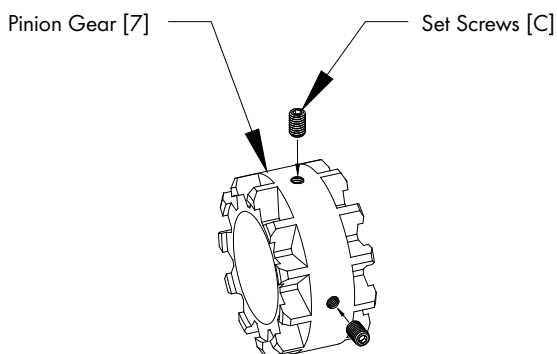


Figure 34A

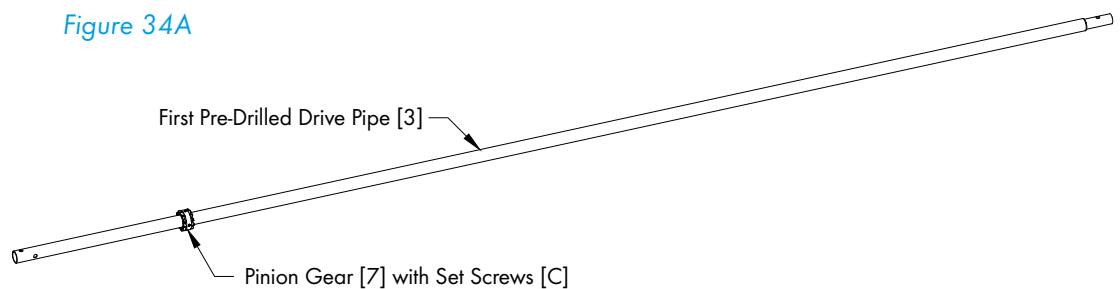


Figure 34B

Step 37

For the first Drive Pipe [3] with Pinion Gear, slide the swaged end of the Drive Pipe through the Bronze Bushing in Guide Plate [13] so that the 1 Pinion Gear is on the left side of the Guide Plate [13] in line with Pivoting Connector. See Figure 35.

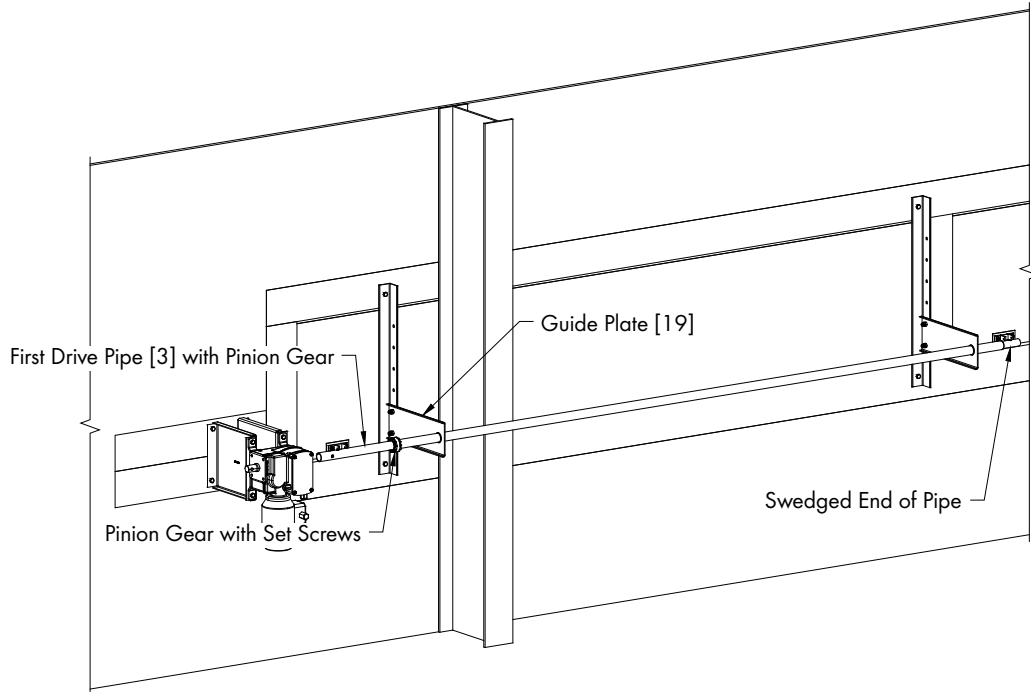


Figure 35

Step 38

For next Drive Pipe [3] slide (1) Pinion Gear onto Pipe, then slide the swaged end of the Drive Pipe through the next Bronze Bushing in Guide Plate [13]. Then slide the opposite end onto the swaged end of the previous pipe. If needed slide the Pinion Gear past the joint in the pipes to align with the Pivoting Connector. Align the pre-drilled holes and secure pipes together using Bolt [D] and Nut [G]. See Figure 36. Repeat this step for all but the last Drive Pipe [3].

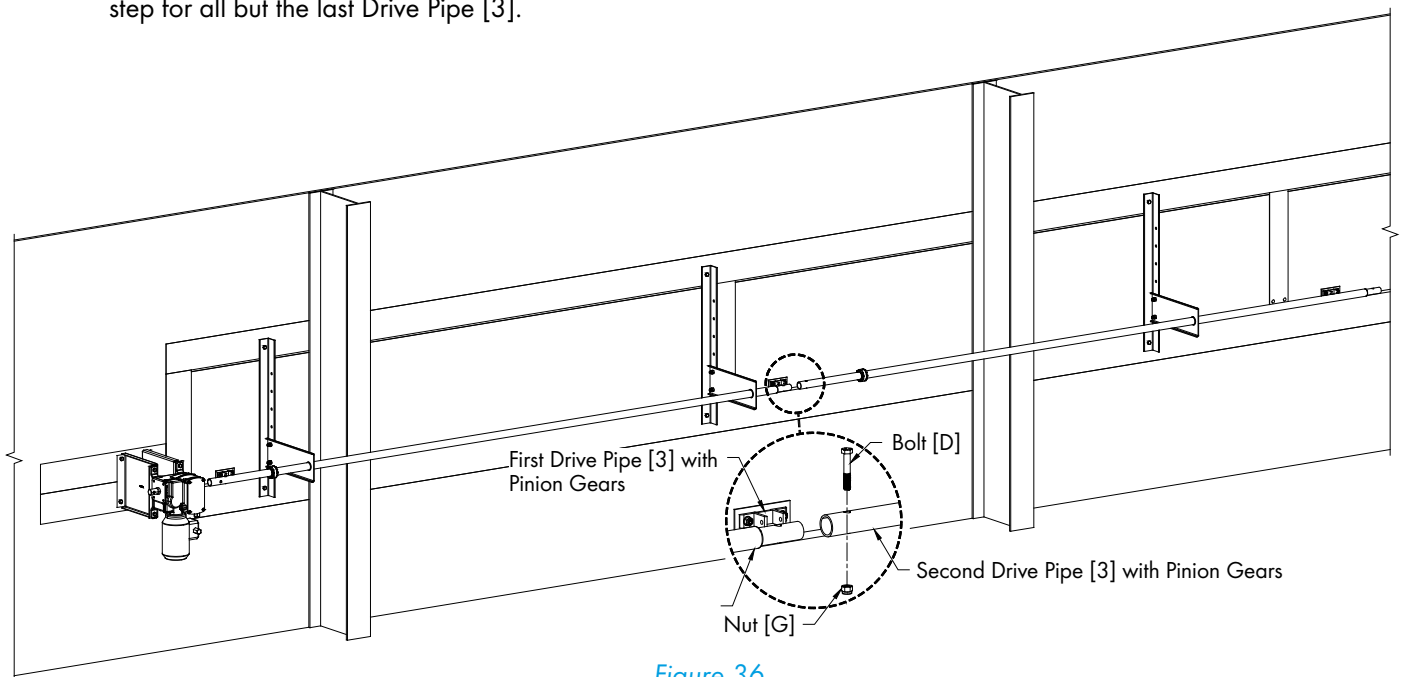


Figure 36

Step 39

For the last Drive Pipe [3] requires (2) Pinion Gears on the Pipe. Slide the swaged end of the Drive Pipe through the Bronze Bushing in last Guide Plate [13], there will be one Pinion Gear on each side of the Guide Plate. Slide the opposite end onto the swaged end of the previous pipe. If needed slide one of the Pinion Gears past the joint in the pipes to align with the Pivoting Connector. Align the pre-drilled holes and secure pipes together using Bolt [D] and Nut [G]. See Figure 37. Cut excess Drive Pipe 3" past the last Pinion Gear.

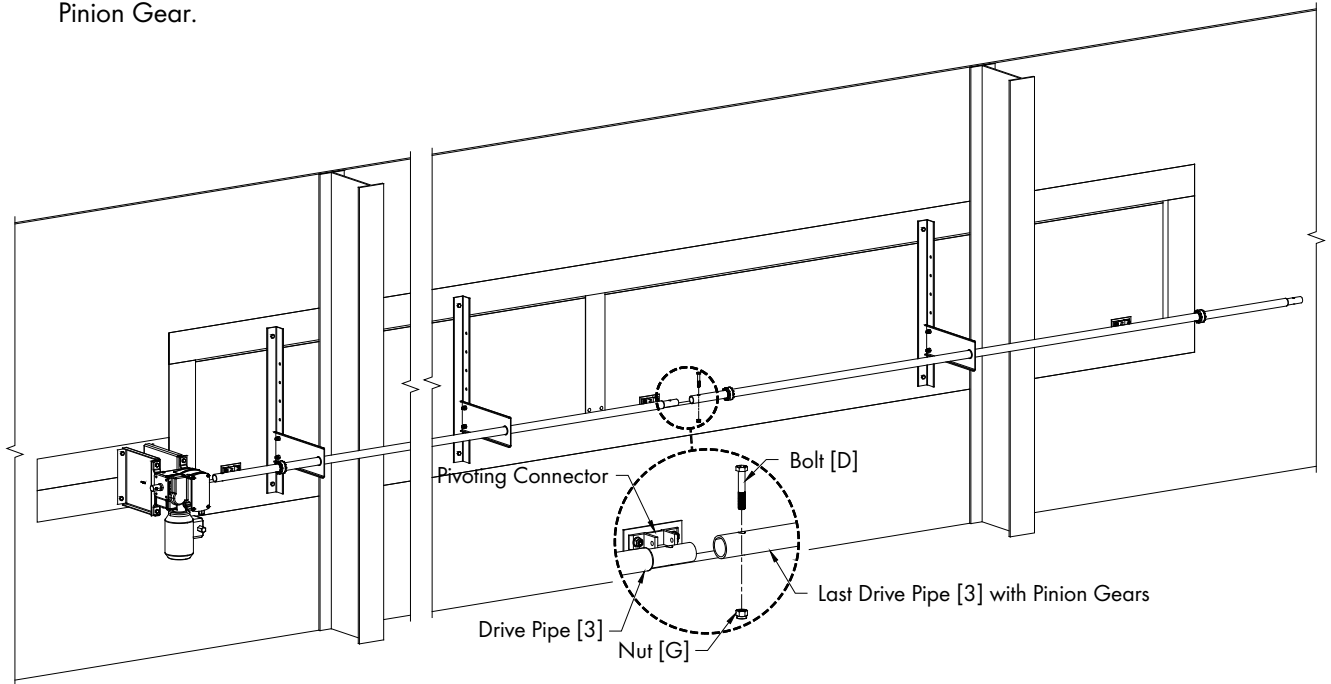


Figure 37

Step 40

Align each Pinion Gear with Set Screws with a Pivoting Connector on the Door below the Drive Pipe. See Figure 38.

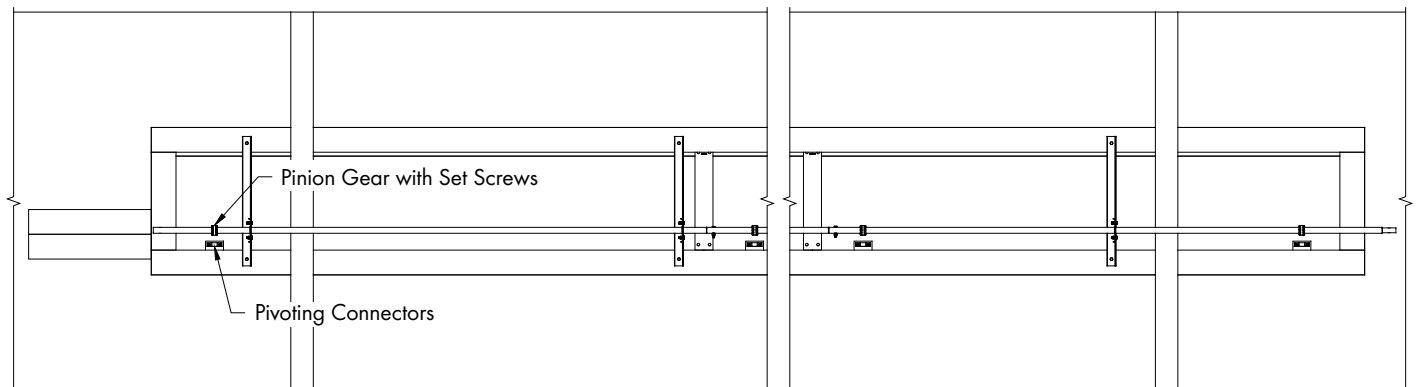


Figure 38

Step 41

Snap a Black Plastic Retainer [8] over each Pinion Gear with Set Screws. See Figure 39.

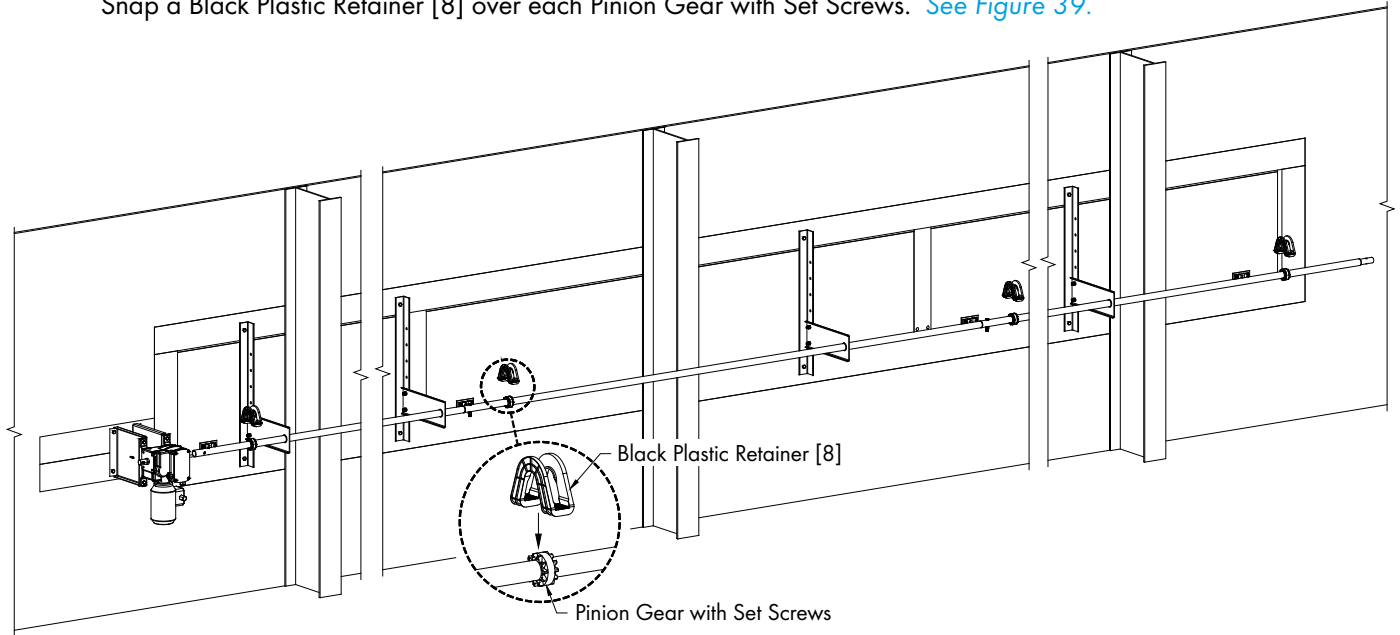


Figure 39

Step 42

Slide the Straight Coupling [17] over the end of the pipe near the Actuator Mounting Brackets and secure in place using (2) Bolts [D] and Nuts [G]. See Figure 40.

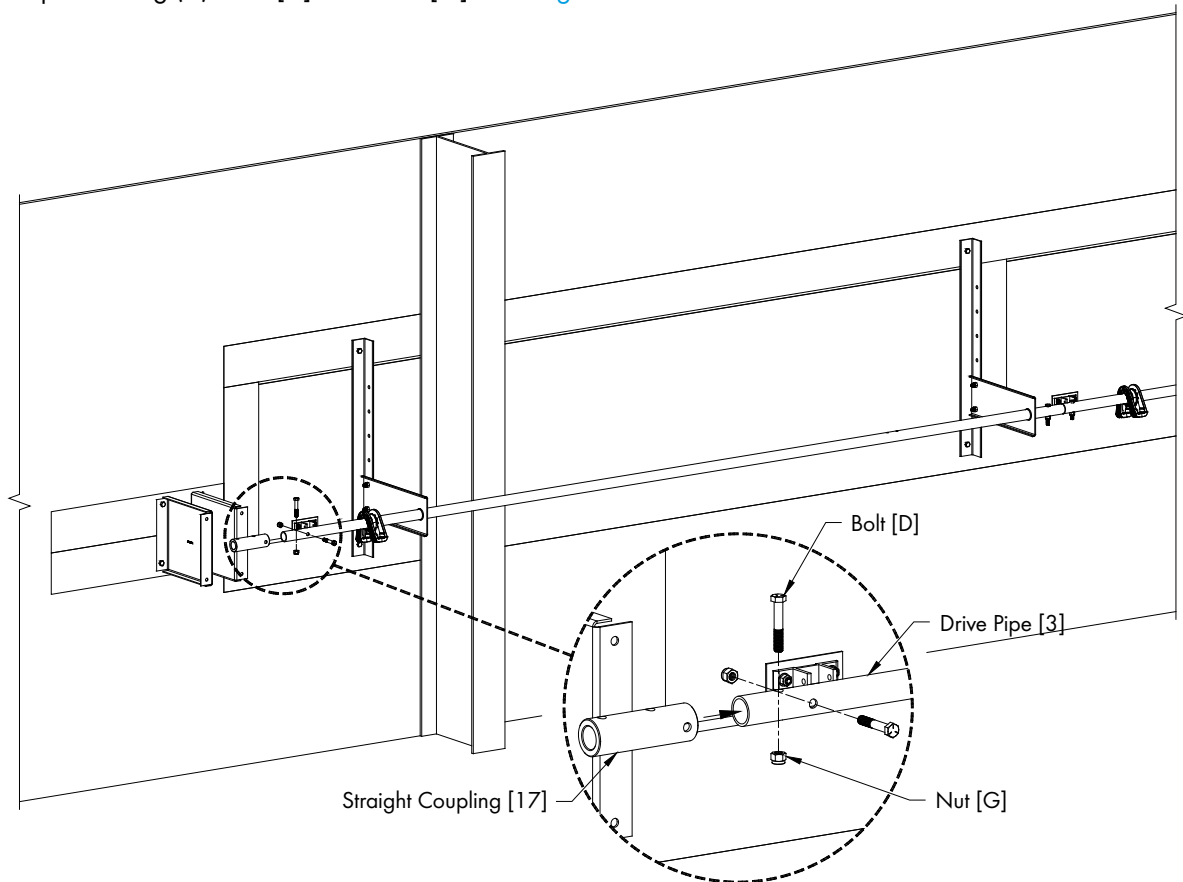


Figure 40

Step 43

Align the hole in the Straight Coupling on Drive Pipe with the hole in the Shaft of Actuator and secure with (1) Bolt [D] and Nut [G]. See Figure 41.

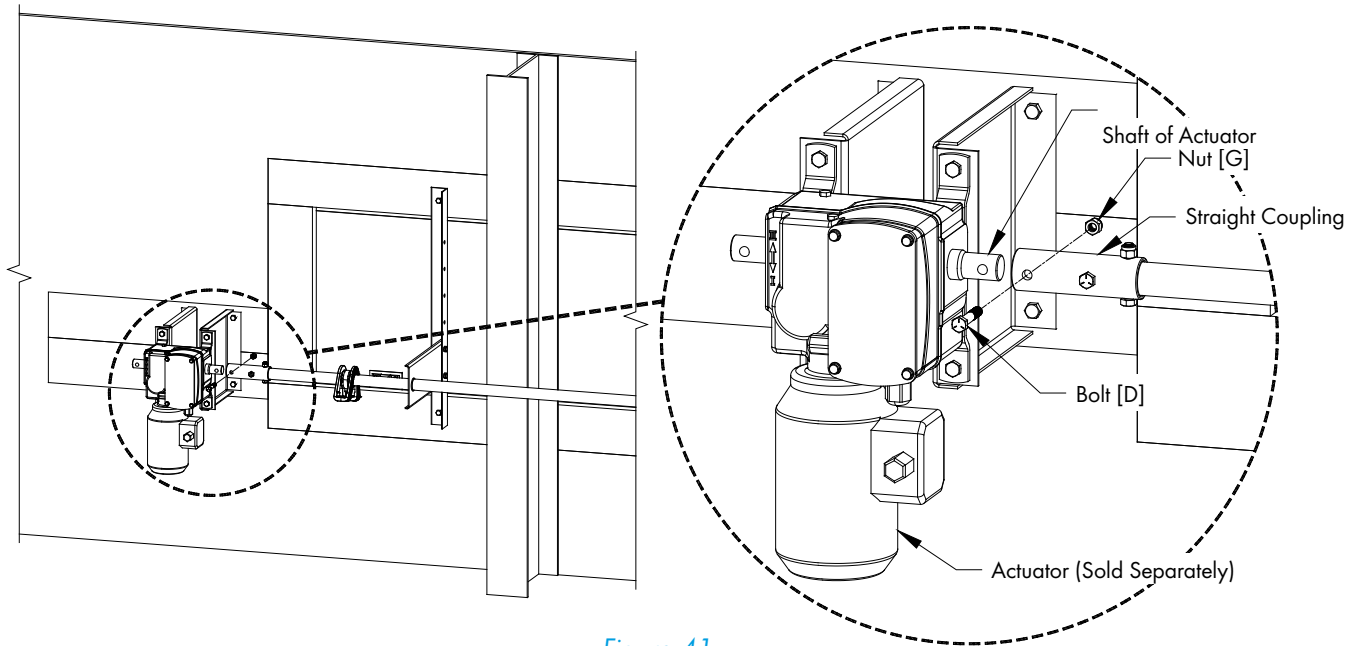


Figure 41

Step 44

Rotate one of the Plastic Retainer/Pinion Gear assemblies 90° so that the flat part is away from door and insert end of Straight Rack [5] with no teeth into Retainer/Gear Assembly and slide it in until the teeth on the Straight Rack [5] engage the Pinion Gear. Rotate the Straight Rack towards the bottom of the door and fasten the end of the Straight Rack [5] to the Pivoting Connector [9] using Clevis Pin [A] and Hairpin Cotter [B]. See Figure 42. If Curved Racks were purchased See Figure 43 on next page.

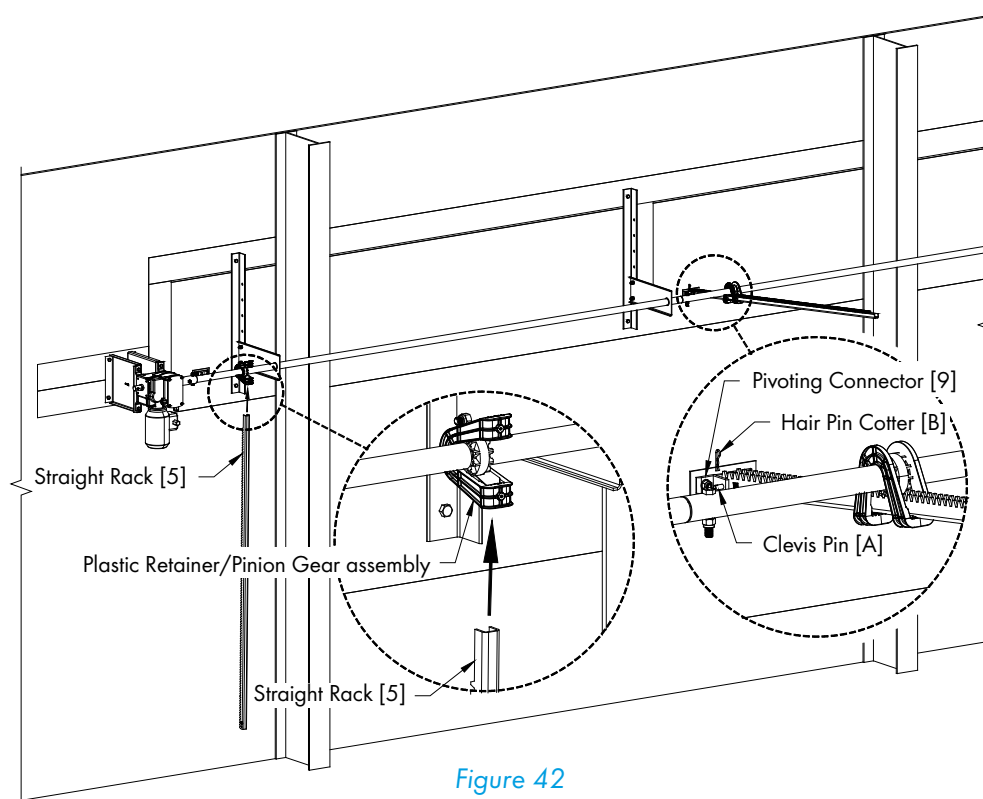


Figure 42

Step 44 (continued)

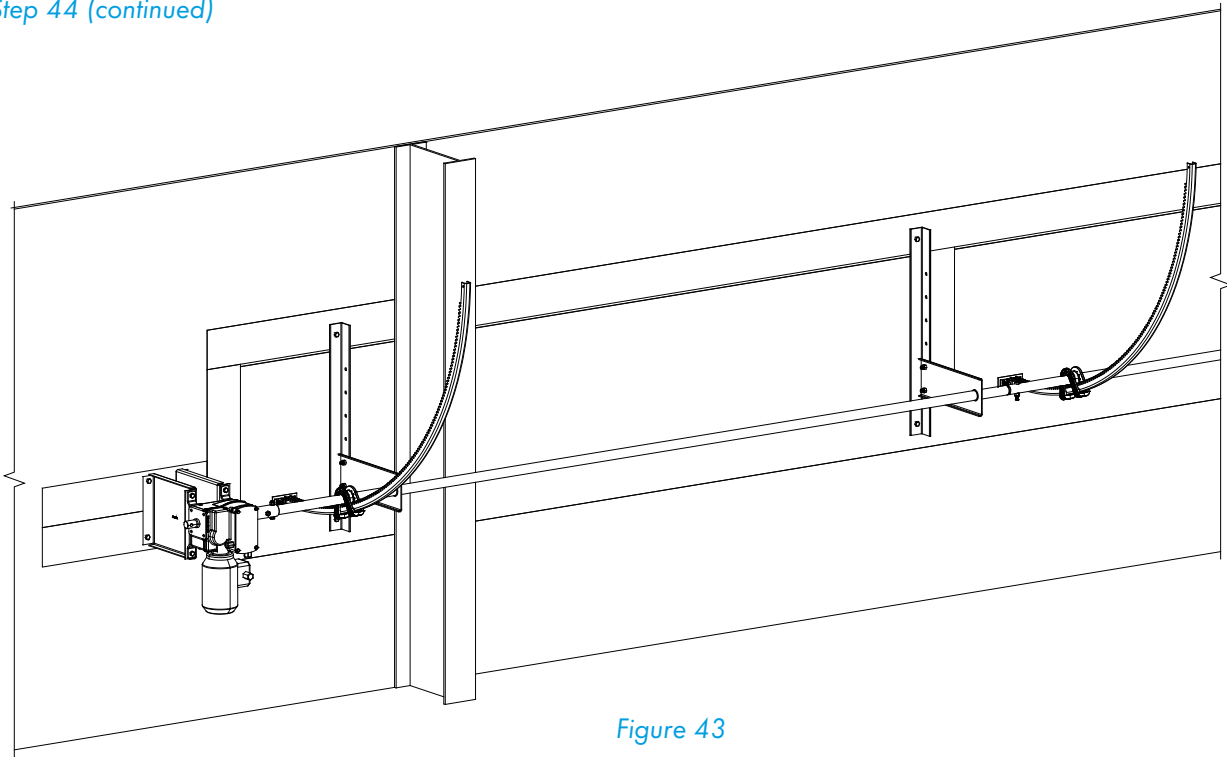


Figure 43

Step 45

Make sure each Plastic Retainer/Pinion Gear is lined up with each Pivoting Connector and the Straight Rack or Curved Rack is as straight as possible. Tighten the Set Screws on each Pinion Gear on the Drive Pipe. It may be necessary to unhook the Straight or Curved Rack from the Pivoting Connector, slide the Rack out of the Plastic Retainer to be able to rotate the Pinion Gear slightly to be able to access both Set Screws. Then slide the Rack back into the Plastic Retainer and reconnect it to the Pivoting Connector. See Figure 44.

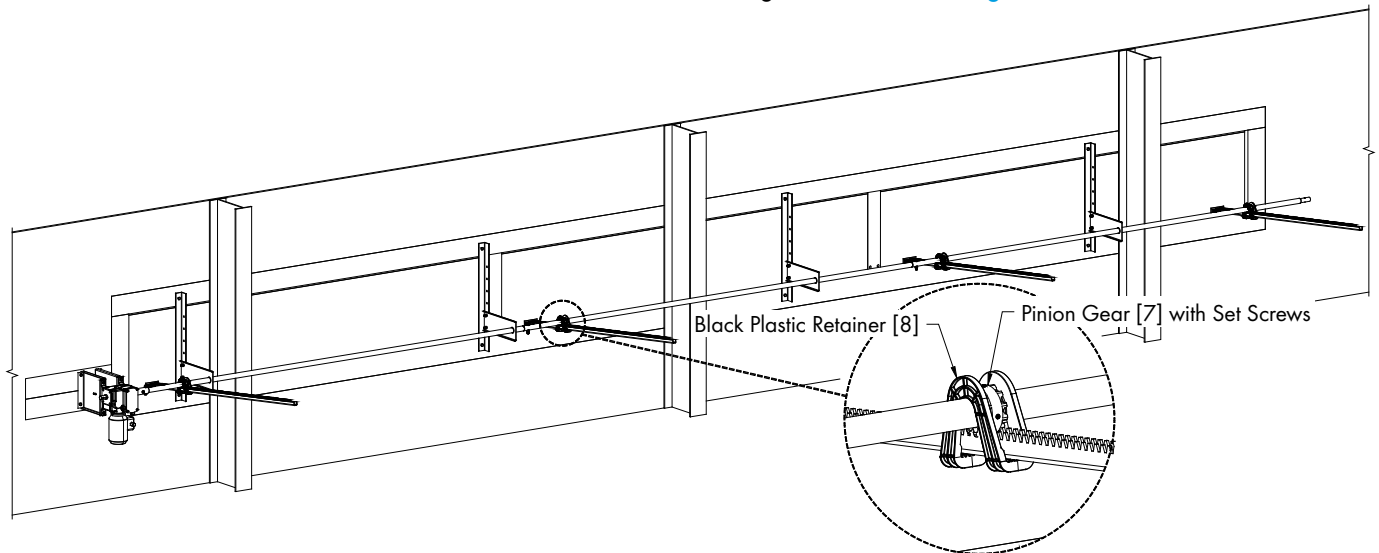


Figure 44

Step 46

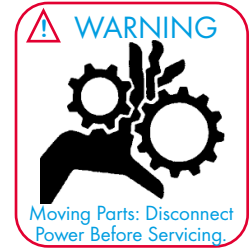
Before operating the system, use Tubes of Grease provided to lightly grease the Pinion Gear and the back of the Rack where it slides through the Black Plastic Retainer.

See Actuator Manual for wiring instructions.

3.1 Maintenance

The following inspection and cleaning procedures should be performed monthly:

- 1) **STRAIGHT/CURVED RACKS:** Check for wear on the rack, especially on the teeth and the pinion gear. Reapply Grease to the Pinion Gear and Straight Rack once a year.
- 2) **CLEAN** regularly for best results:
 - **ACTUATOR:** Remove any dust accumulation from actuator using a brush or cloth. (DO NOT use a pressure washer).
 - **STRAIGHT/CURVED RACKS:** Carefully clean dust from racks and frame so that racks open and close doors freely. A brush or cloth should be used.
 - **DOORS:** Clean any dust or feathers from doors using a brush.
- 3) **CHECK FASTENERS:** For safety, all fasteners should be inspected 1 month after initial operation and yearly thereafter. Tighten any loose connections.
- 4) **INSPECT INLET CONTROL:** With power disconnected, inspect all electrical connections. Wiring should be secure and in good condition. Remove any dust build-up from control case and sensor using a soft brush or cloth. **NEVER CLEAN ELECTRICAL EQUIPMENT WITH A PRESSURE WASHER!**



HORIZON CSI24 Door Offset Mount System is developed and produced by Munters Corporation, Lansing, Michigan U.S.A. 1-800-227-2376



Munters Europe AB, Isafjordsgatan 1, P.O. Box 1150, SE-164 26 Kista, Sweden. Phone +46 08 626 63 00, Fax +46 8 754 56 66.

Munters Corporation 2691 Ena Drive Lansing, MI 48917 U.S.A. Phone +1 800-227-2376, Fax +1 517-676-7078

www.munters.us

Australia Munters Pty Limited, Phone +61 2 6025 6422, **Brazil** Munters Brasil Industria e Comercio Ltda, Phone +55 41 3317 5050, **Canada/US** Munters Corporation Lansing, MI Phone +1 517 676 7070, **China** Munters Air Treatment Equipment (Beijing) Co. Ltd, Phone +86 10 80 481 121, **Denmark** Munters A/S, Phone +45 9862 3311, **India** Munters India, Phone +91 20 3052 2520, **Indonesia** Munters, Phone +62 818 739 235, **Italy** Munters Italy S.p.A., Chiusavecchia, Phone +39 0183 52 11, **Japan** Munters K.K., Phone +81 3 5970 0021, **Korea** Munters Korea Co. Ltd., Phone +82 2 761 8701, **Mexico** Munters Mexico, Phone +52 818 262 54 00, **Russia** Munters AB, Phone +7 812 448 5740, **Singapore** Munters Pte Ltd., Phone +65 744 6828, **South Africa and Sub-Sahara Countries** Munters (Pty) Ltd., Phone +27 11 997 2000, **Spain** Munters Spain S.A., Phone +34 91 640 09 02, **Sweden** Munters AB, Phone +46 8 626 63 00, **Thailand** Munters Co. Ltd., Phone +66 2 642 2670, **Turkey** Munters Form Endüstri Sistemleri A.Ş, Phone +90 322 231 1338, **USA** Munters Corporation Lansing, MI Phone +1 517 676 7070, **Vietnam** Munters Vietnam, Phone +84 8 3825 6838, **Export & Other countries** Munters Italy S.p.A., Chiusavecchia Phone +39 0183 52 11