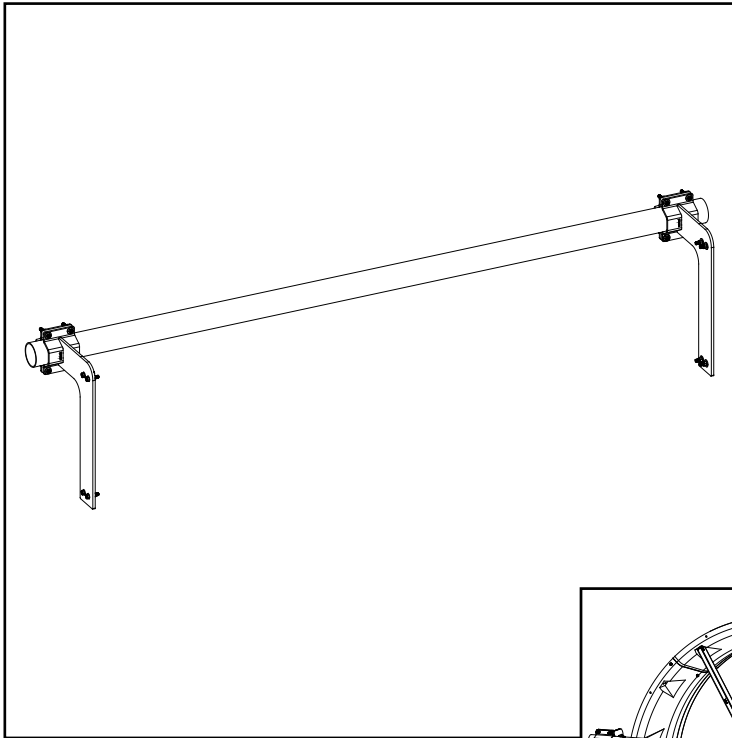
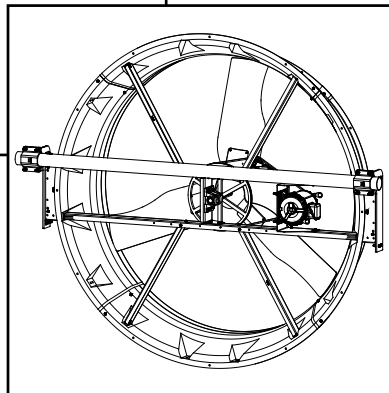


# Instruction Manual

## Aerotech Pipe Hanging Kit for CX Series Circulation Fan 74" Fan



Pipe Hanging Kit



CX74 Fan with Pipe Hanging Kit

## Pipe Hanging Kit for CX74

Models: FH1709

# Pipe Hanging Kit for CX74

## Instructions for Use and Maintenance

### Thank You:

Thank you for purchasing a Munters FH1709 Hanging Kit. Munters equipment is designed to be the highest performing, highest quality equipment you can buy. With the proper installation and maintenance it will provide many years of service.

### Please Note:

To achieve maximum performance and ensure long life from your Munters product it is essential that it be installed and maintained properly. Please read all instructions carefully before beginning installation.

### Warranty:

For Warranty claims information see the "Warranty Claims and Return Policy" form QM1021 available from the [Munters Corporation office at 1-800-227-2376](http://Munters Corporation office at 1-800-227-2376) or by e-mail at [aghort.info@munters.com](mailto:aghort.info@munters.com).

### Conditions and Limitations:

- Products and Systems involved in a warranty claim under the "Warranty Claims and Return Policy" shall have been properly installed, maintained and operated under competent supervision, according to the instructions provided by Munters Corporation.
- Malfunction or failure resulting from misuse, abuse, negligence, alteration, accident or lack of proper installation or maintenance shall not be considered a defect under the Warranty.

# Index

Chapters	Page
1. Unpacking the Equipment	4
1.1 Parts List	4
1.2 Fan Dimensions	5
2. Installation Instructions	6
2.1 Assembly	6

# Unpacking the Equipment

# 1.

Before beginning installation, check the overall condition of the equipment. Remove packing materials, and examine all components for signs of shipping damage. Any shipping damage is the customer's responsibility and should be reported immediately to your freight carrier.

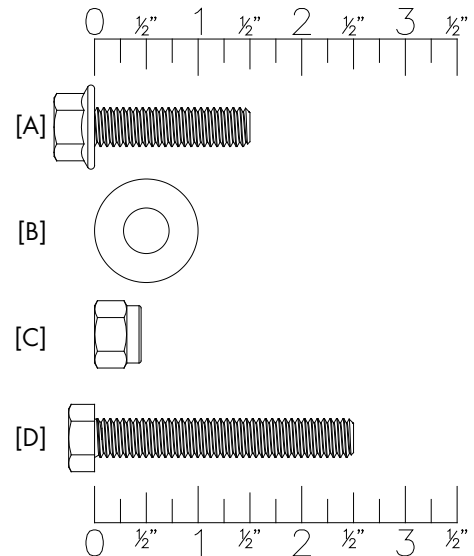
## 1.1 Parts List

Each FH1707 includes:

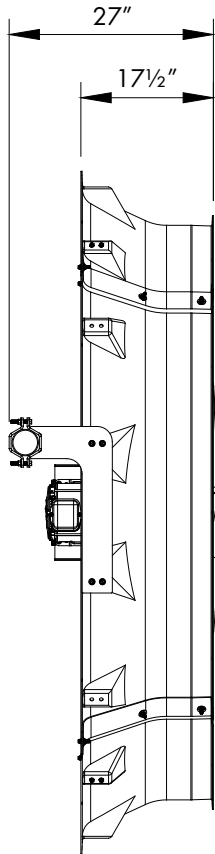
- 2 - Pipe Hanger Bracket, CX74, CTD-STL, BLK
- 2 - Pipe Clamp Bracket, CX74, CTD-STL, BLK
- 1 - Hardware Package as follows:

*HP1199 - FH1709 Pipe Hanging Kit*

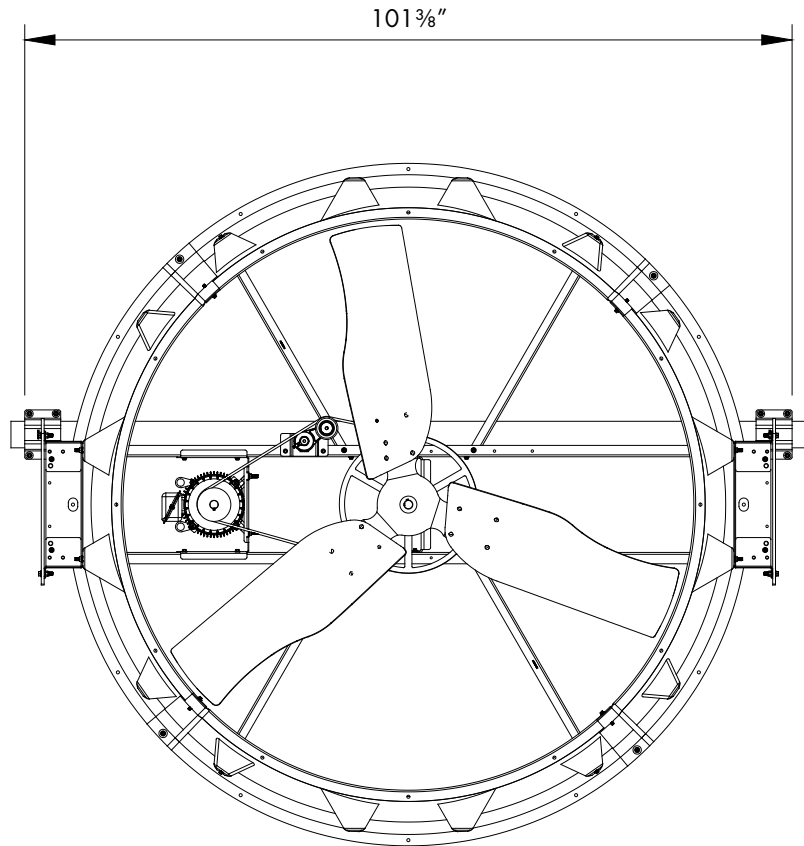
ID	Qty.	Cat. No.	Description
[A]	8	KS1180	3/8"-16 x 1.5" Flange Hex Bolt, ZP
[B]	24	KW3036	3/8" Flat Washer, USS, ZP
[C]	16	KN1709	3/8"-16 Nylock Nut, ZP
[D]	8	KS1077	3/8"-16 x 2.5" Hex Bolt, ZP



## 1.2 Dimensions



SIDE VIEW



FRONT VIEW

The Pipe Hanging Kit for the CX74 is designed to mount to a NPS 3" pipe, which would be provided by the customer or installer. The installed pipe must be capable of holding the weight of the 300 lb. fan.

## 2.1 Assembly

### Step 1

With the CX74 fan turned sideways, so the main struts are horizontal, attach a Pipe Hanger Bracket to the brackets on each end of the fan using (4) Bolts [A], Washers [B] and Nylock Nuts [C] for each Bracket.

See Figure 1.

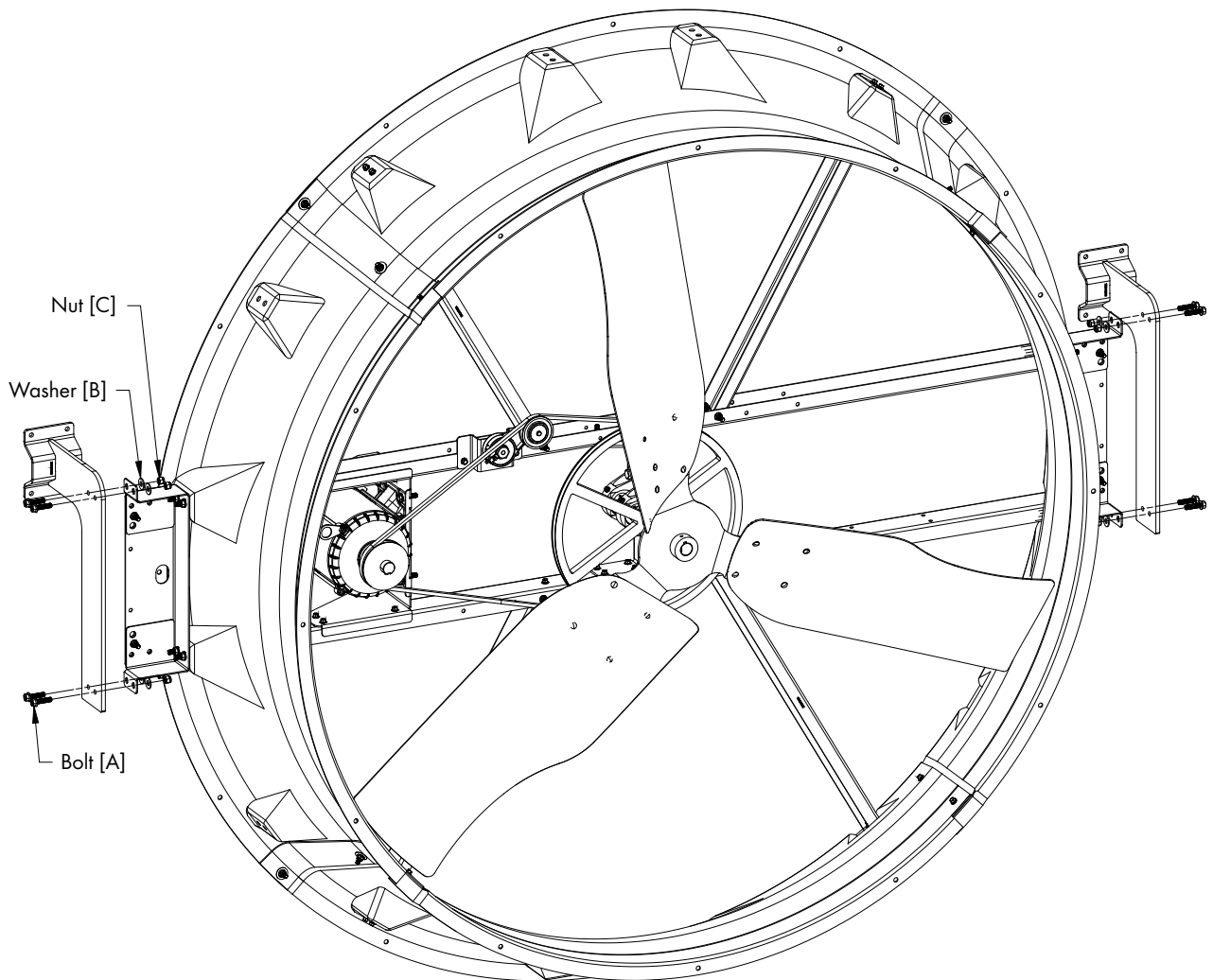


Figure 1

**Step 2**

Secure fan with Pipe Hanger Brackets to pipe using (2) Pipe Clamps and (8) Bolts [D], (16) Washers [B] and (8) Nylock Nuts [C]. See [Figure 2](#).

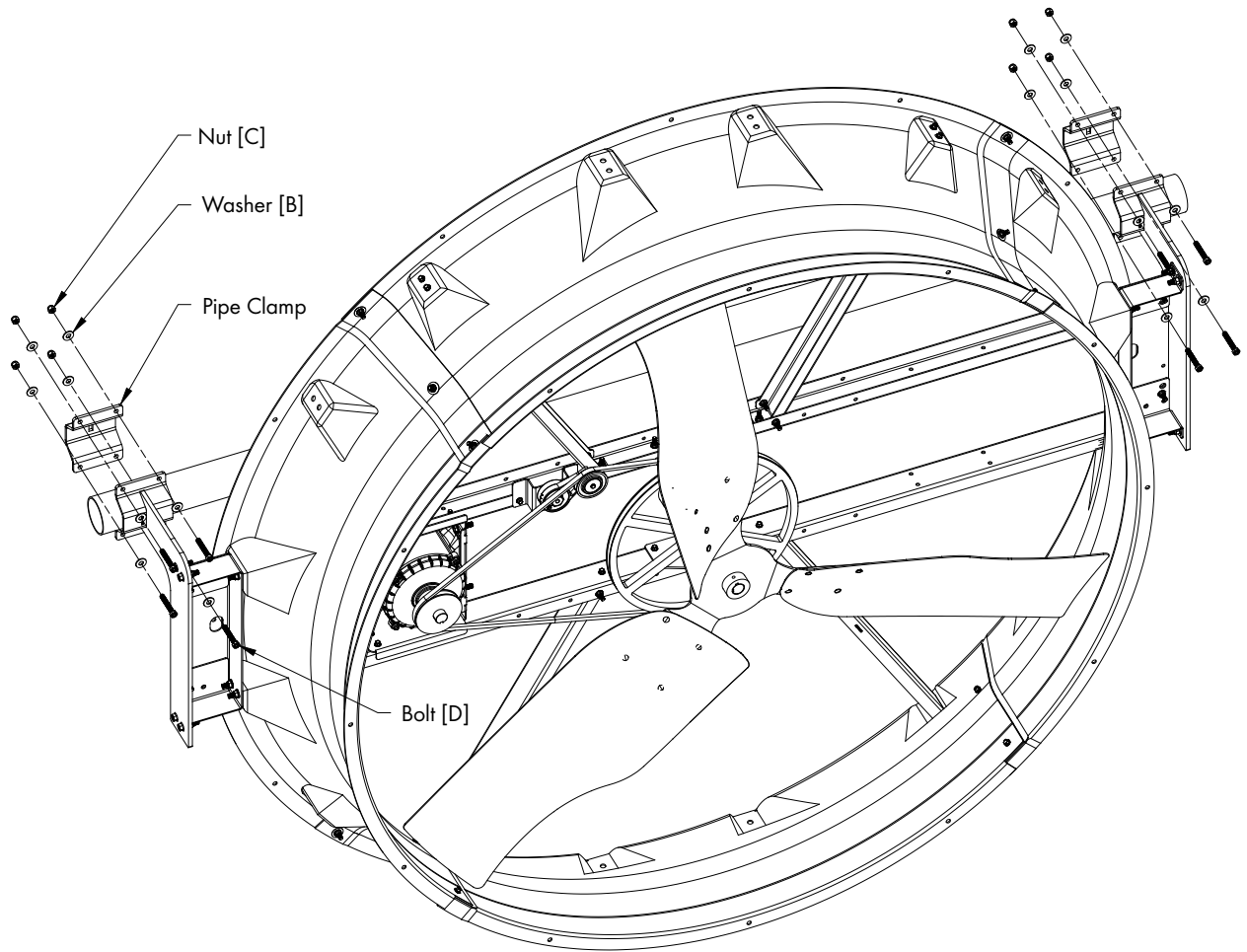


Figure 2

Step 3

If it is desired to angle the fan down, loosen the Pipe Clamp bolts and rotate the fan to the desired angle and then retighten the Pipe Clamp bolts. See Figure 3.

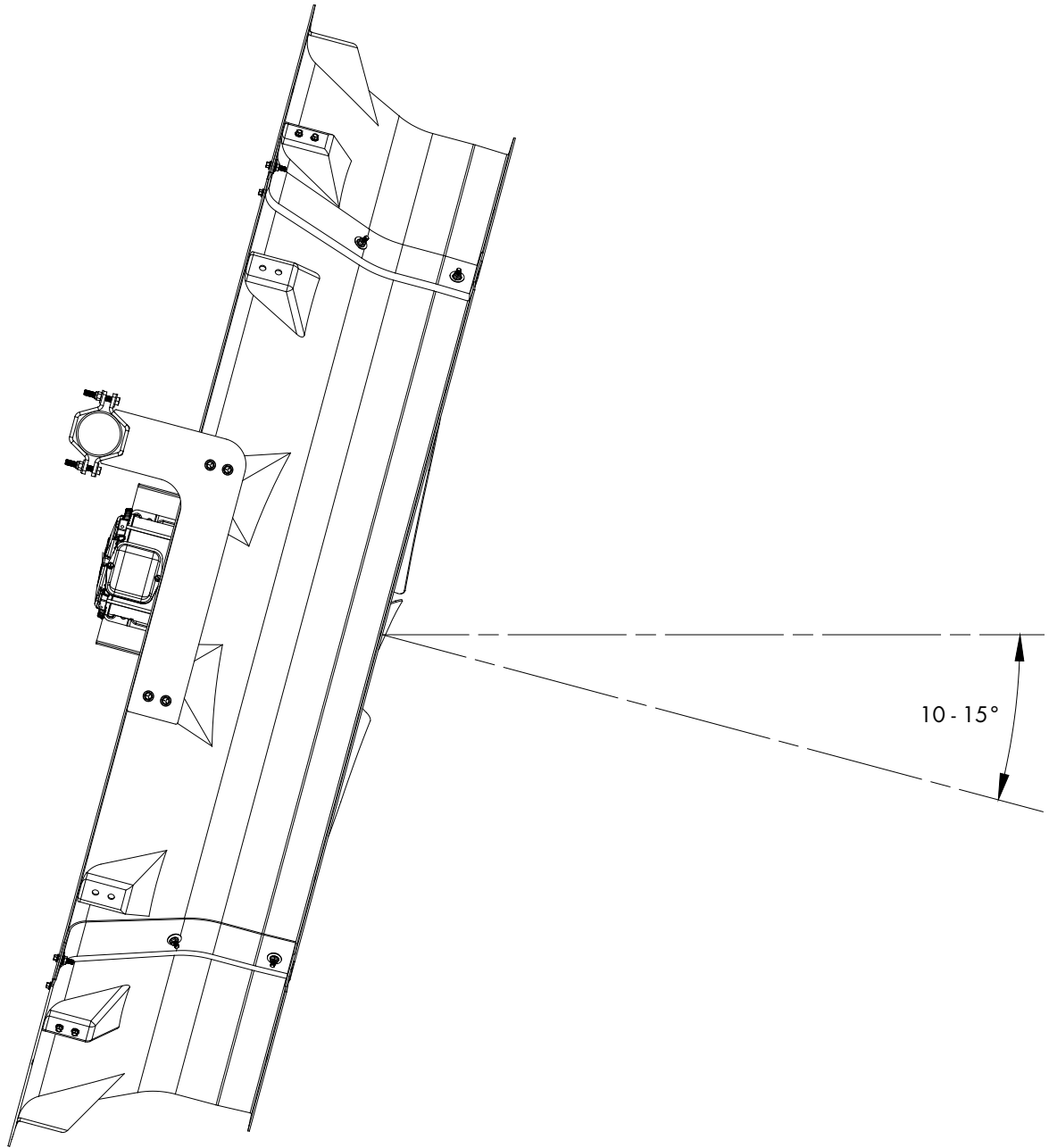


Figure 3



**This page left blank intentionally**

Pipe Hanging Kit for CX74 Fan is developed and produced by Munters Corporation, Lansing, Michigan U.S.A. 1-800-227-2376



Munters Europe AB, Isafjordsgatan 1, P.O. Box 1150, SE-164 26 Kista, Sweden. Phone +46 08 626 63 00, Fax +46 8 754 56 66.

Munters Corporation 2691 Ena Drive Lansing, MI 48917 U.S.A. Phone +1 800-227-2376, Fax +1 517-676-7078

[www.munters.us](http://www.munters.us)

**Australia** Munters Pty Limited, Phone +61 2 6025 6422, **Brazil** Munters Brasil Industria e Comercio Ltda, Phone +55 41 3317 5050, **Canada/US** Munters Corporation Lansing, MI Phone +1 517 676 7070, **China** Munters Air Treatment Equipment (Beijing) Co. Ltd, Phone +86 10 80 481 121, **Denmark** Munters A/S, Phone +45 9862 3311, **India** Munters India, Phone +91 20 3052 2520, **Indonesia** Munters, Phone +62 818 739 235, **Italy** Munters Italy S.p.A., Chiusavecchia, Phone +39 0183 52 11, **Japan** Munters K.K., Phone +81 3 5970 0021, **Korea** Munters Korea Co. Ltd., Phone +82 2 761 8701, **Mexico** Munters Mexico, Phone +52 818 262 54 00, **Russia** Munters AB, Phone +7 812 448 5740, **Singapore** Munters Pte Ltd., Phone +65 744 6828, **South Africa and Sub-Sahara Countries** Munters (Pty) Ltd., Phone +27 11 997 2000, **Spain** Munters Spain S.A., Phone +34 91 640 09 02, **Sweden** Munters AB, Phone +46 8 626 63 00, **Thailand** Munters Co. Ltd., Phone +66 2 642 2670, **Turkey** Munters Form Endüstri Sistemleri A.Ş, Phone +90 322 231 1338, **USA** Munters Corporation Lansing, MI Phone +1 517 676 7070, **Vietnam** Munters Vietnam, Phone +84 8 3825 6838, **Export & Other countries** Munters Italy S.p.A., Chiusavecchia Phone +39 0183 52 11