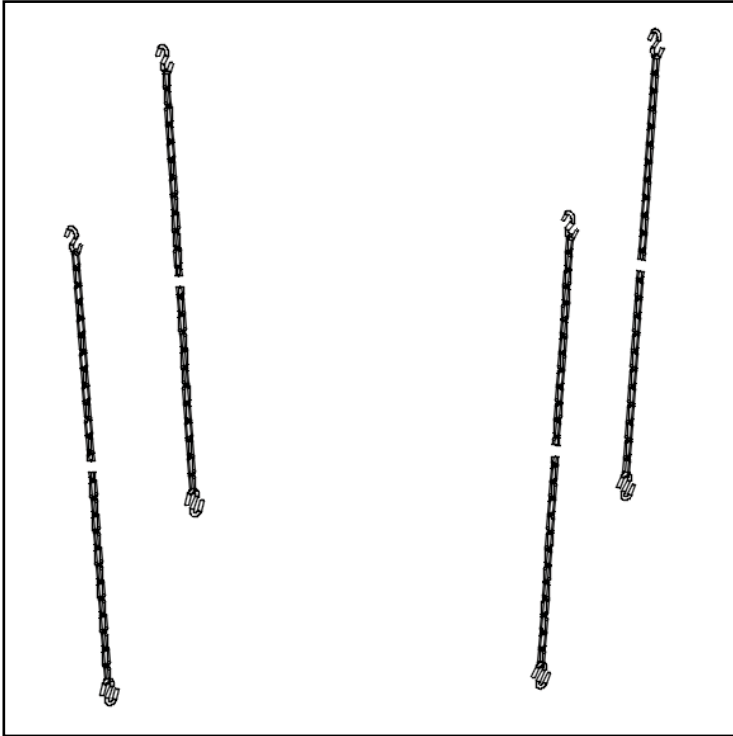


# Chain Fan Hanger Kit

## Instruction Manual



## Chain Fan Hanger Kit

Models: FH1704

# Chain Fan Hanger Kit

## Instructions for Use and Maintenance

### Thank You:

Thank you for purchasing a Munters Chain Fan hanger kit. Munters equipment is designed to be the highest performing, highest quality equipment you can buy. With the proper installation and maintenance it will provide many years of service.

### Please Note:

To achieve maximum performance and insure long life from your Munters product it is essential that it be installed and maintained properly. Please read all instructions carefully before beginning installation.

### Warranty:

For Warranty claims information see the "Warranty Claims and Return Policy" form QM1021 available from the [Munters Corporation office at 1-800-227-2376](http://Munters Corporation office at 1-800-227-2376) or by e-mail at [aghort.info@munters.com](mailto:aghort.info@munters.com).

### Conditions and Limitations:

- Products and Systems involved in a warranty claim under the "Warranty Claims and Return Policy" shall have been properly installed, maintained and operated under competent supervision, according to the instructions provided by Munters Corporation.
- Malfunction or failure resulting from misuse, abuse, negligence, alteration, accident or lack of proper installation or maintenance shall not be considered a defect under the Warranty.

# Index

Chapters	Page
1. Unpacking the Equipment	4
1.1 Parts List	4
2. Installation Instructions	5
2.1 Bottom Inlet 36" Vario Fan	5
2.2 Top Inlet 36" Vario Fan	5
2.3 Belt Drive Apex Fan	6
2.4 Munters Drive Apex Fan	7

# Unpacking the Equipment

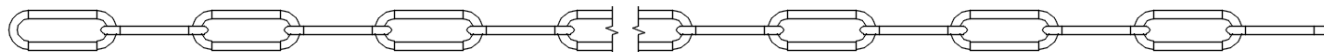
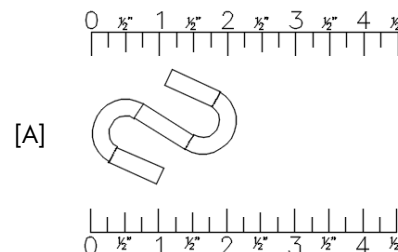
# 1.

Before beginning installation, check the overall condition of the equipment. Remove packing materials, and examine all components for signs of shipping damage. Any shipping damage is the customer's responsibility and should be reported immediately to your freight carrier.

## 1.1 Parts List

Each FH1704 Includes:

ID	Qty.	Cat. No.	Description
[A]	8	KX1058	S-Hook, Open, 0.25"THK x 2"L., 189LB. Cap., ZP
[B]	4	KX1054	1/8" Chain, 10'L., Light Duty, 120LB. Cap., ZP



If hanging the Bottom Inlet 36" Vario Fan proceed to [Step 1](#).

If hanging the Top Inlet 36" Vario Fan proceed to [Step 2](#).

If hanging a Belt Drive Apex Fan proceed to [Step 3](#).

If hanging a Munters Drive Apex Fan proceed to [Step 4](#).

# Installation Instructions

# 2.

## 2.1 Bottom Inlet 36" Vario Fan

### Step 1

Hang Fan Assembly from each Eye Nut to 3 separate points on ceiling or truss using (6) S-Hooks [A] and (3) Chains. See Figure 1. Chains must not run straight up, but should be at a slight angle. Hanging points must be capable of holding the weight of the Fan Assembly (200 lbs. [90 Kg]).

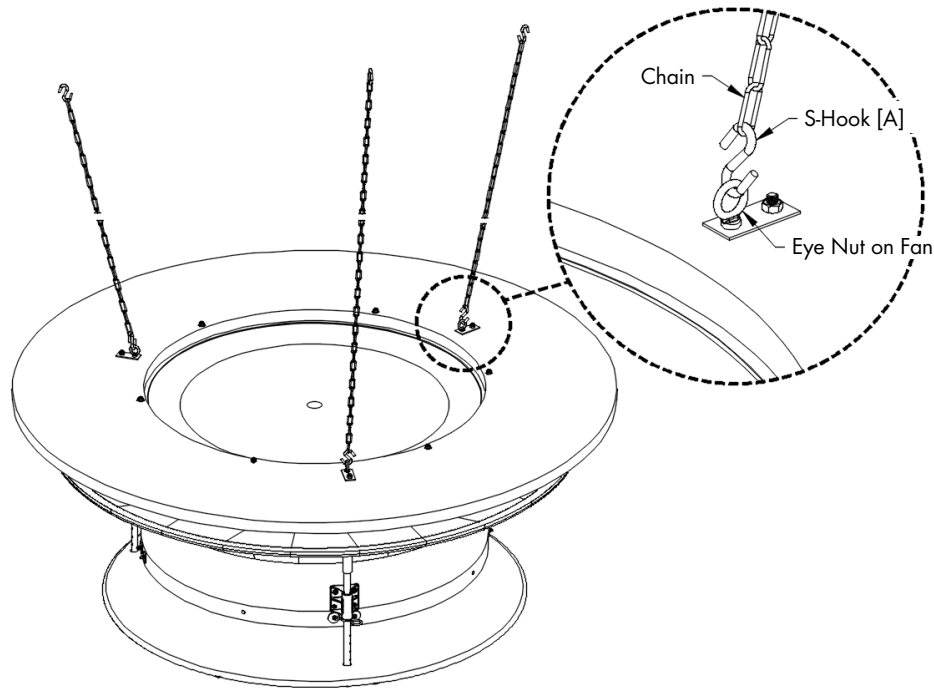


Figure 1

## 2.2 Top Inlet 36" Vario Fan

### Step 2

Hang Fan Assembly from each Hanging Bracket to 4 separate points on ceiling or truss using (8) S-Hooks [A] and (4) Chains. See Figure 2. Chains must not run straight up, but should be at a slight angle. Hanging points must be capable of holding the weight of the Fan Assembly (200 lbs. [90 Kg]).

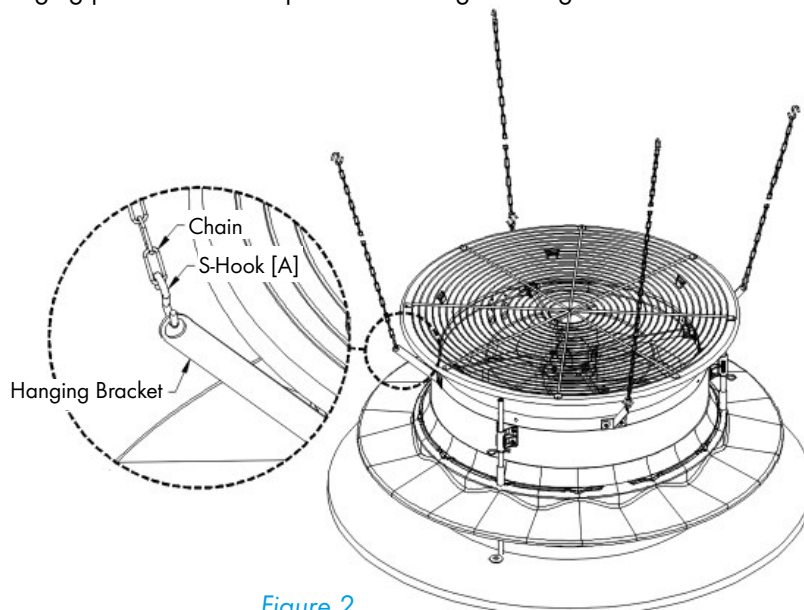


Figure 2

## 2.3 Belt Drive Apex Fan

### Step 3

Install (2) Eye Hooks and Nuts (not provided) in top flange of Apex Fan and then hang Fan Assembly from each Eye Hook to 2 separate points on ceiling or truss using (4) S-Hooks [A] and (2) Chains.

See [Figure 3](#). Chains must not run straight up, but should be at a slight angle. Hanging points must be capable of holding the weight of the Fan Assembly (160 lbs. [75 Kg]).

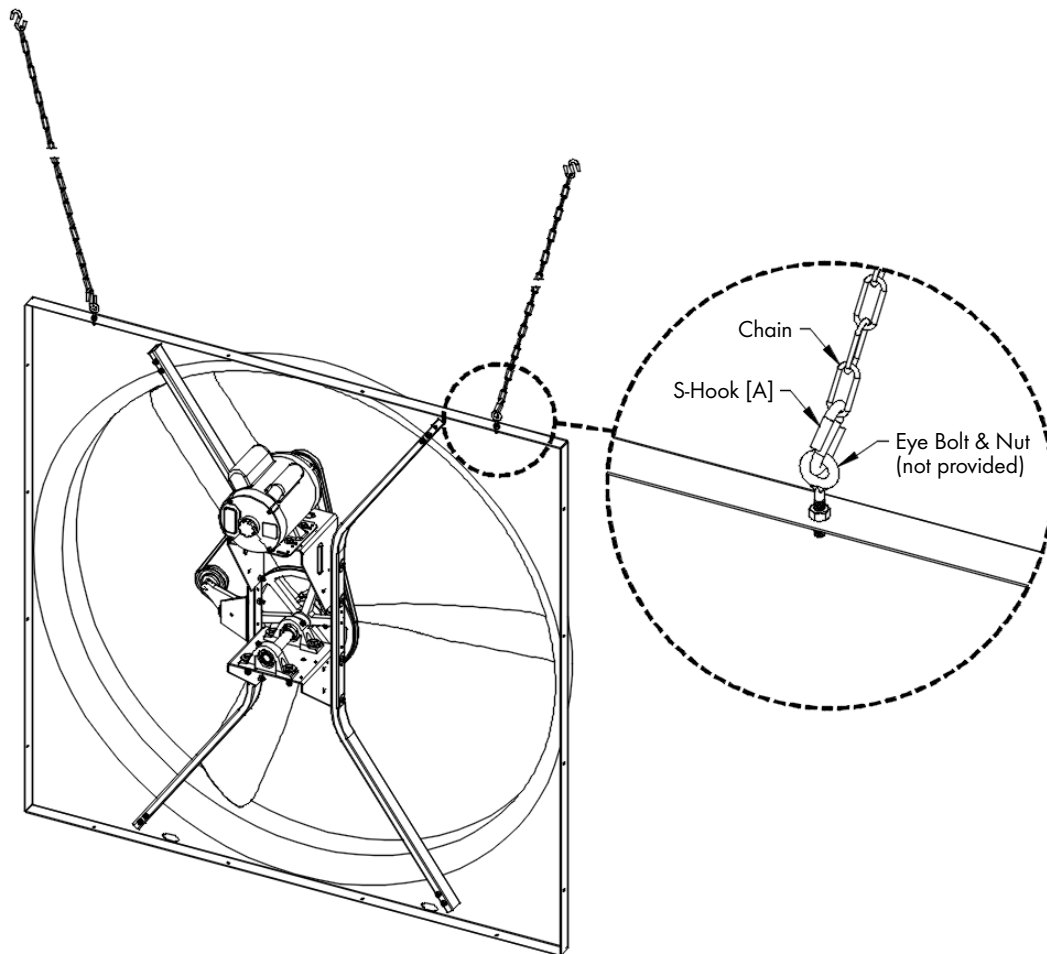


Figure 3

## 2.4 Munters Drive Apex Fan

### Step 4

Install (2) Eye Hooks and Nuts (not provided) in top flange of Apex Fan and then hang Fan Assembly from each Eye Hook to 2 separate points on ceiling or truss using (4) S-Hooks [A] and (2) Chains.

See Figure 4. Chains must not run straight up, but should be at a slight angle. Hanging points must be capable of holding the weight of the Fan Assembly (200 lbs. [90 Kg]).

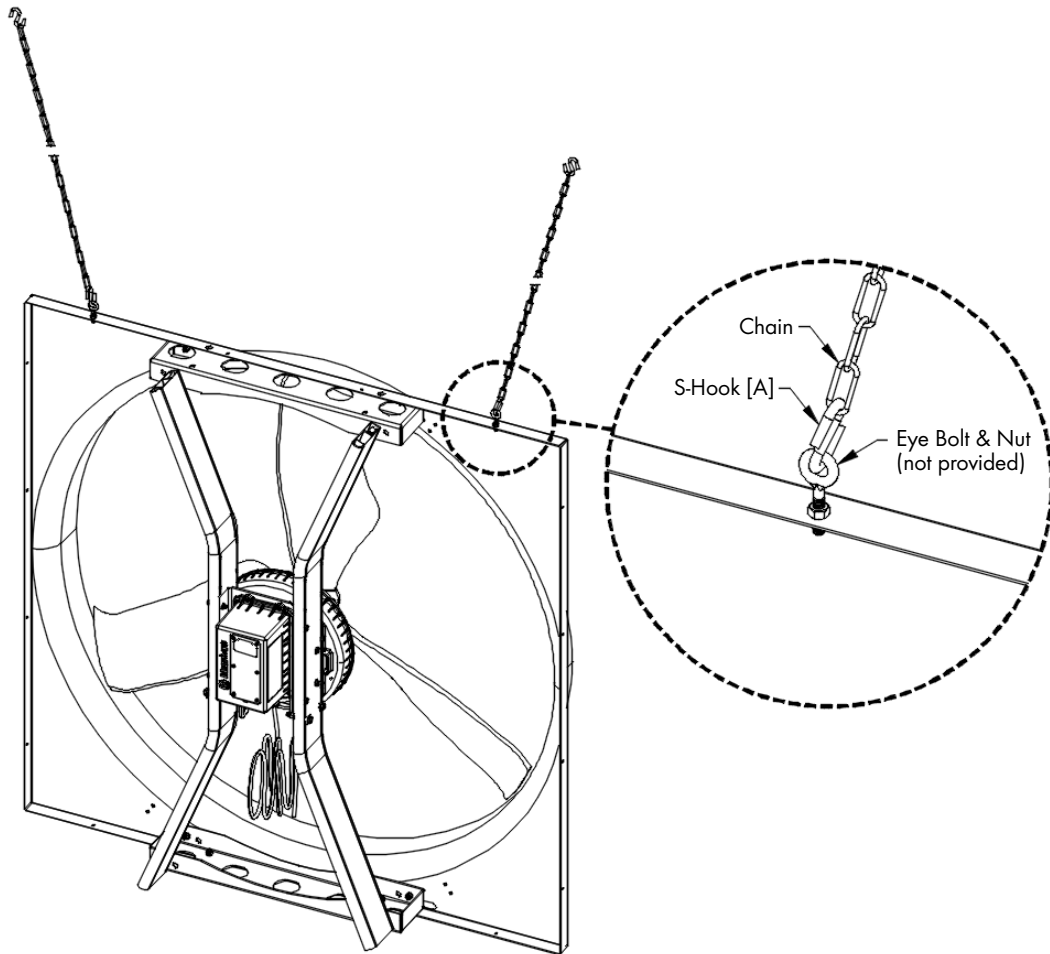


Figure 4

Step 5

If it is desired to angle the hanging fans down, attach Eye Hooks and Nuts (not provided) to the bottom flange of the Apex Fan and then use the remaining (4) S-Hooks [A] and (2) Chains to pull the bottom of the fan up to the desired angle. See Figure 5.

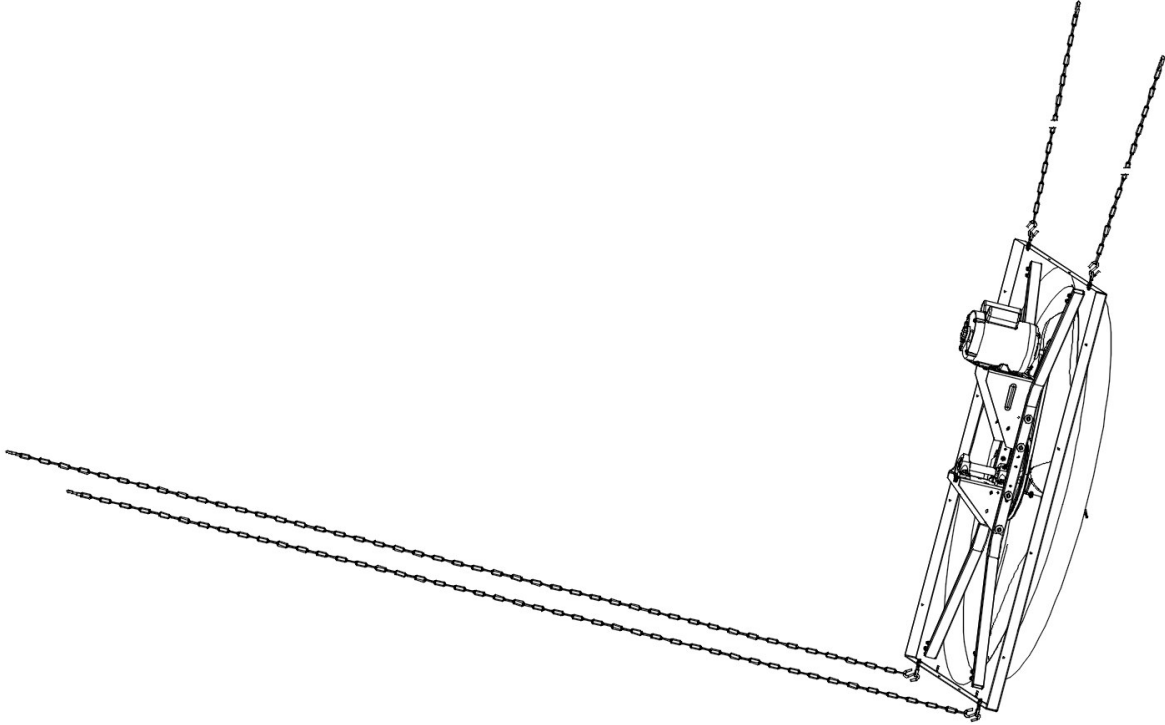


Figure 5



**This page left blank intentionally**

Fan Chain Hanging Kit developed and produced by Munters Corporation, Lansing, Michigan U.S.A. 1-800-227-2376



Munters Europe AB, Isafjordsgatan 1, P.O. Box 1150, SE-164 26 Kista, Sweden. Phone +46 08 626 63 00, Fax +46 8 754 56 66.

Munters Corporation 2691 Ena Drive Lansing, MI 48917 U.S.A. Phone +1 800-227-2376, Fax +1 517-676-7078

[www.munters.us/aghort](http://www.munters.us/aghort)

**Australia** Munters Pty Limited, Phone +61 2 6025 6422, **Brazil** Munters Brasil Industria e Comercio Ltda, Phone +55 41 3317 5050, **Canada/US** Munters Corporation Lansing, MI Phone +1 517 676 7070, **China** Munters Air Treatment Equipment (Beijing) Co. Ltd, Phone +86 10 80 481 121, **Denmark** Munters A/S, Phone +45 9862 3311, **India** Munters India, Phone +91 20 3052 2520, **Indonesia** Munters, Phone +62 818 739 235, **Italy** Munters Italy S.p.A., Chiusavecchia, Phone +39 0183 52 11, **Japan** Munters K.K., Phone +81 3 5970 0021, **Korea** Munters Korea Co. Ltd., Phone +82 2 761 8701, **Mexico** Munters Mexico, Phone +52 818 262 54 00, **Russia** Munters AB, Phone +7 812 448 5740, **Singapore** Munters Pte Ltd., Phone +65 744 6828, **South Africa and Sub-Sahara Countries** Munters (Pty) Ltd., Phone +27 11 997 2000, **Spain** Munters Spain S.A., Phone +34 91 640 09 02, **Sweden** Munters AB, Phone +46 8 626 63 00, **Thailand** Munters Co. Ltd., Phone +66 2 642 2670, **Turkey** Munters Form Endüstri Sistemleri A.Ş, Phone +90 322 231 1338, **USA** Munters Corporation Lansing, MI Phone +1 517 676 7070, **Vietnam** Munters Vietnam, Phone +84 8 3825 6838, **Export & Other countries** Munters Italy S.p.A., Chiusavecchia Phone +39 0183 52 11