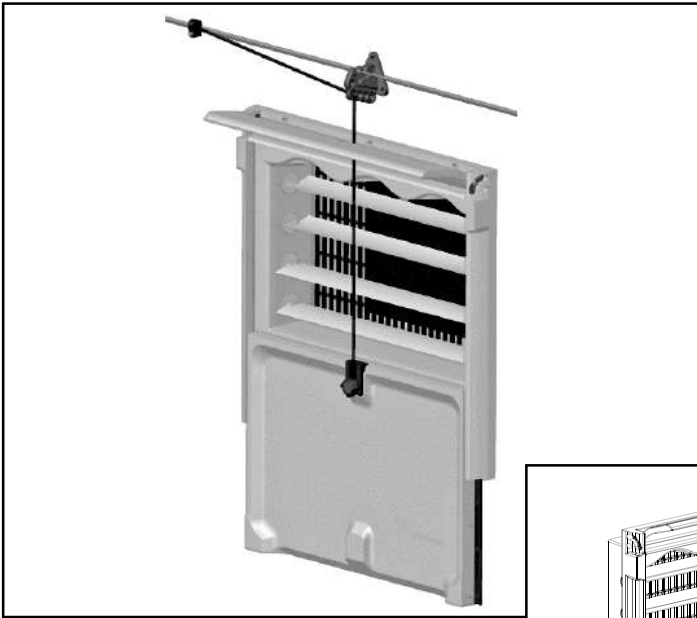
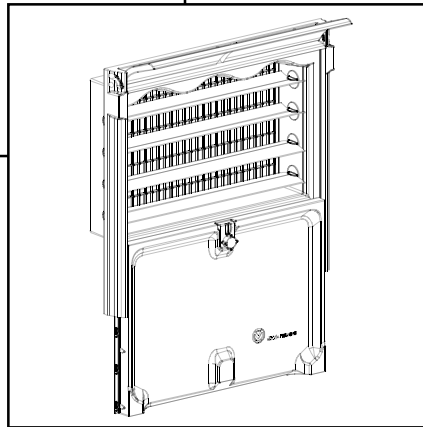


Instruction Manual

Munters Insulated Flatwave Sidewall Inlet



RV-ZEWF2600-AO



RV-ZEWF2600-AO

Insulated Flatwave Sidewall Inlet

Models: RV-ZEWF2600-AO



Insulated Flatwave Sidewall Inlet

Instructions for Use and Maintenance

Thank You:

Thank you for purchasing a Munters Insulated Flatwave Sidewall Inlet. Munters equipment is designed to be the highest performing, highest quality equipment you can buy. With the proper installation and maintenance it will provide many years of service.

Please Note:

To achieve maximum performance and insure long life from your Munters product it is essential that it be installed and maintained properly. Please read all instructions carefully before beginning installation.

Warranty:

For Warranty claims information see the "Warranty Claims and Return Policy" form QM1021 available from the [Munters Corporation office at 1-800-227-2376 or by e-mail at aghort.info@munters.com](mailto:aghort.info@munters.com).

Conditions and Limitations:

- Products and Systems involved in a warranty claim under the "Warranty Claims and Return Policy" shall have been properly installed, maintained and operated under competent supervision, according to the instructions provided by Munters Corporation.
- Malfunction or failure resulting from misuse, abuse, negligence, alteration, accident or lack of proper installation or maintenance shall not be considered a defect under the Warranty.

Index

Chapters	Page
1. Unpacking the Equipment	4
1.1 Parts List	4
1.2 Inlet Dimensions	5
2. Installation Instructions	6
3. Cabling	14

Unpacking the Equipment

1.

1.1 Parts List

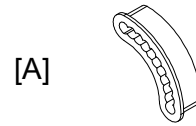
Before beginning installation, check the overall condition of the equipment. Remove packing materials, and examine all components for signs of shipping damage. Any shipping damage is the customer's responsibility and should be reported immediately to your freight carrier.

Each Sidewall Inlet includes:

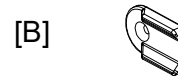
- 1 - Inlet Frame
- 1 - Inlet Door
- 1 - Seal
- 4 - Inlet Blades
- 1 - Inlet Bird Screen
- 1 - Hardware Package

Hardware Package

ID	Qty.	Description
[A]	2	Directional Flap Adjustment Bushing
[B]	2	Door Latch
[C]	8	Inlet Blade Cap
[D]	10	Door Spring Mechanism
[E]	1	Door Holder
[F]	1	Large Blue Nut for Door Holder
[G]	2	M3.5 x 25mm Countersink Screw
[H]	2	M5 x 45mm Countersink Screw
[J]	2	8.4 x 17mm Washer
[K]	2	M6 x 30mm ULF Screw
[L]	2	5.3 x 15mm Washer
[M]	2	M5 x 50mm Pan Head Screw
[N]	8	M4 x 16mm Countersink Screw



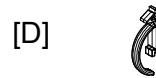
[A]



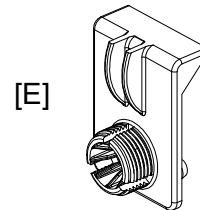
[B]



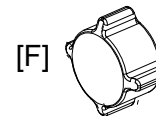
[C]



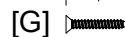
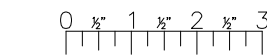
[D]



[E]



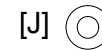
[F]



[G]



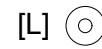
[H]



[J]



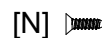
[K]



[L]



[M]

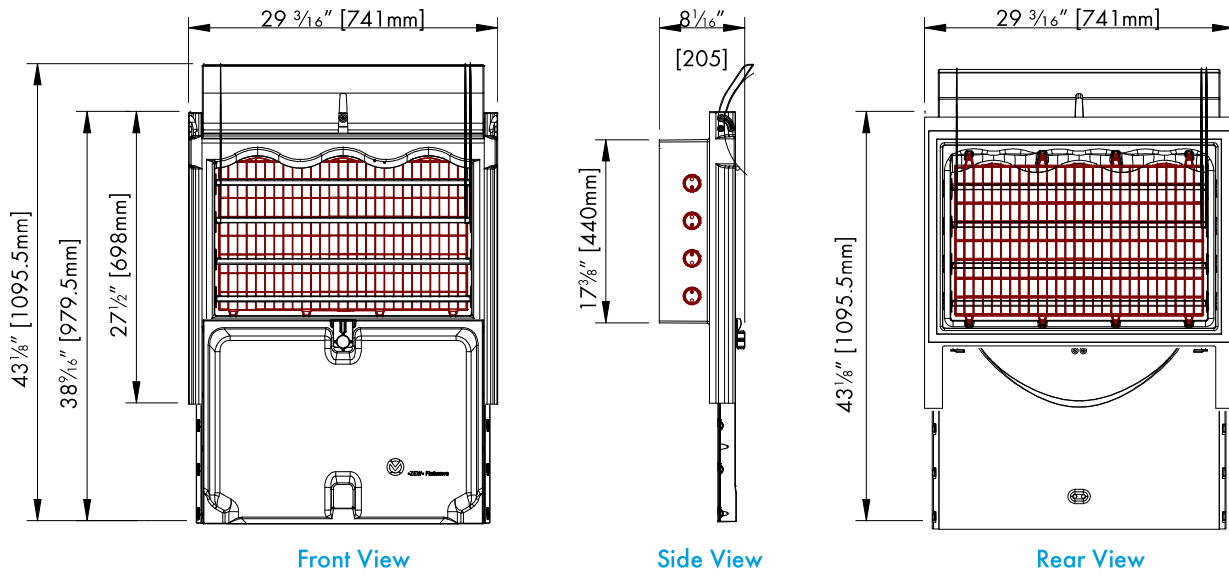


[N]

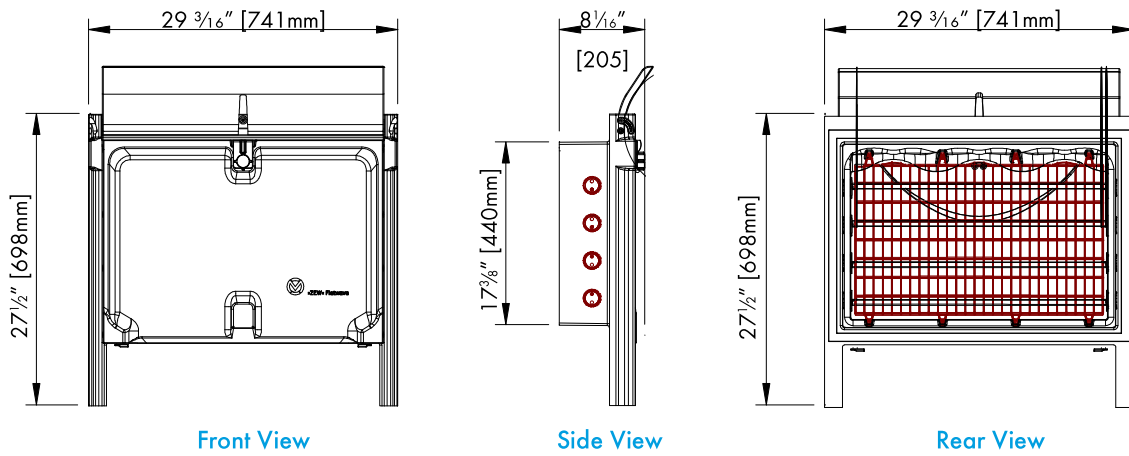


1.2 Inlet Dimensions

Inlet - Open Position



Inlet - Close Position



Wall Opening

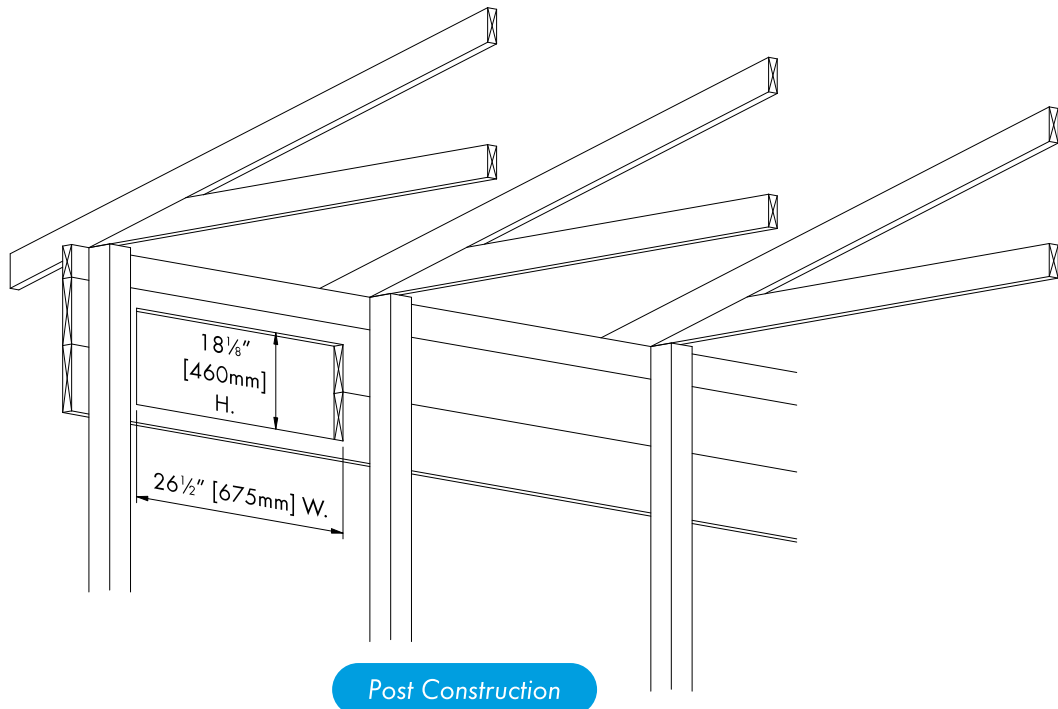
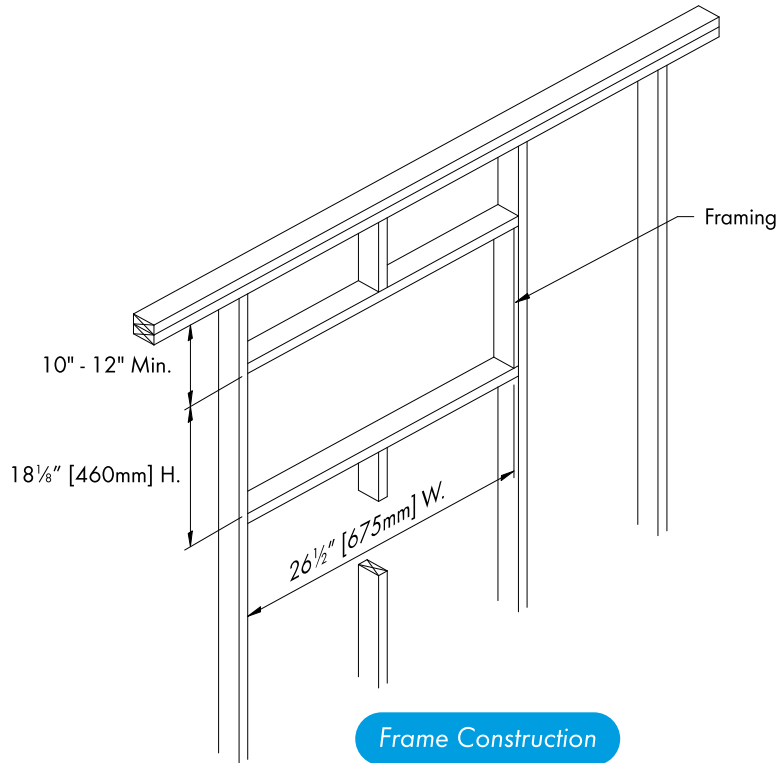
$18\frac{1}{8}"$ [460mm] H. x $26\frac{1}{2}"$ [675mm] W.

Installation Instructions

2.

Step 1

Construct a framed opening to correct size according to Wall Opening listed in chart on previous page. A minimum of 10" - 12" from ceiling to the top inside edge of framing. Framing surface for inlet must be smooth and flat. An 18½" flat surface is also required below bottom of framed opening. See Figure 1A and 1B.



Step 2

Find the Inlet Frame and Seal into groove in lower Inlet Frame rail. See Figure 2.

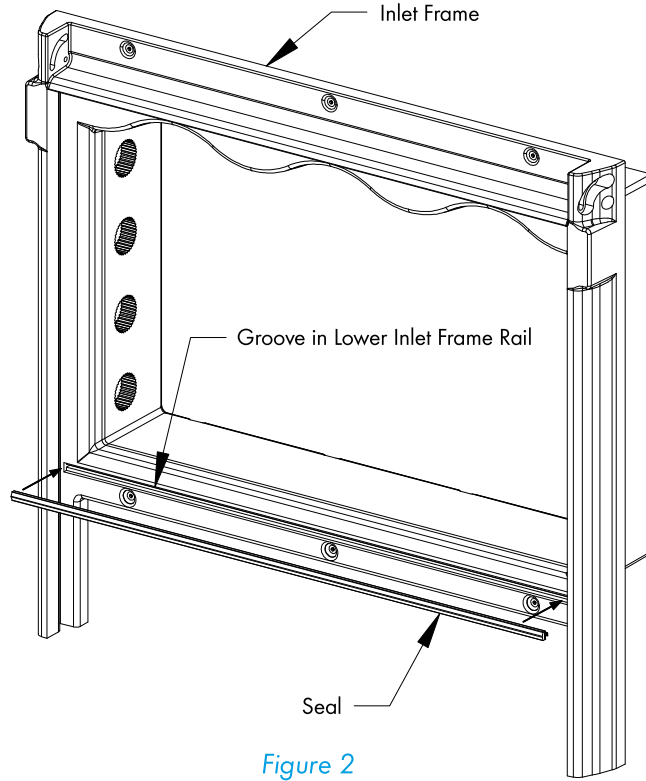


Figure 2

Step 3

Attach (2) Door Latch [B] to lower Inlet Frame with (2) Countersink Screw [G], 1" from each side of Inlet Frame. See Figure 3.

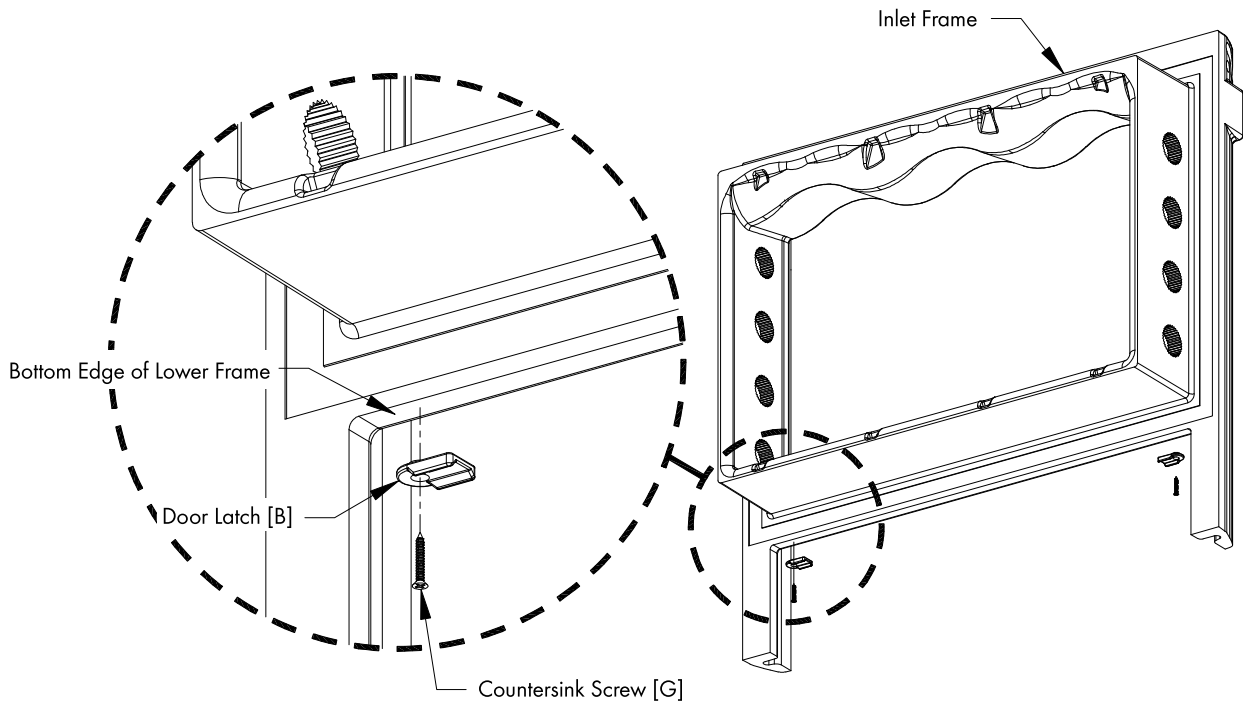


Figure 3

Step 4

Insert Inlet Blade Cap [C] in each hole in Inlet Frame, 8 total. Make sure Slots for Blades are towards the inside of the Inlet. See Figures 4.

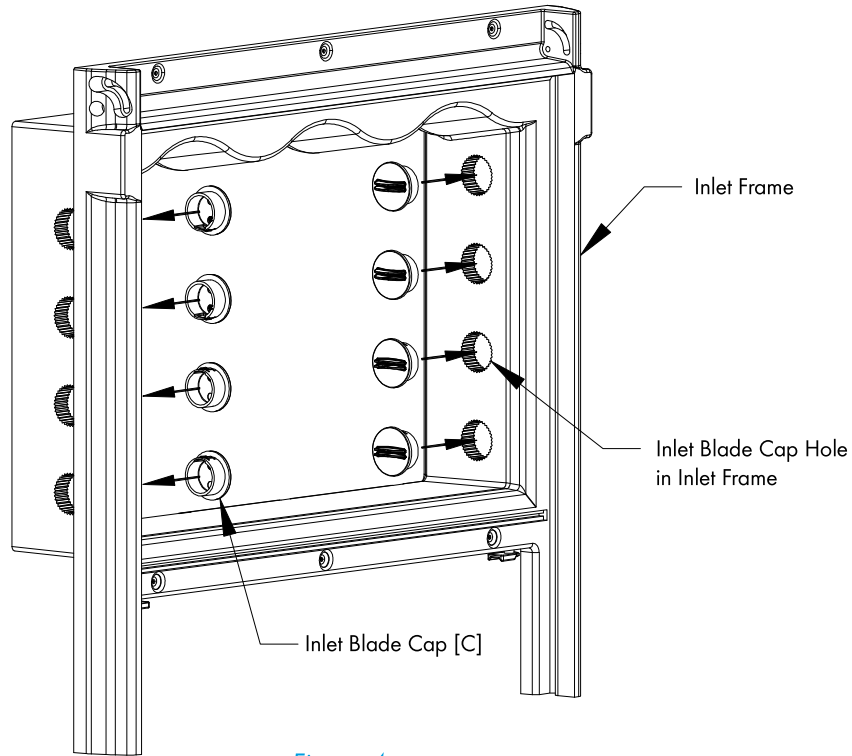


Figure 4

Step 5

Insert Inlet Blade into a pair of Inlet Blade Caps [C]. Repeat for 3 more Inlet Blades. The Blades should be positioned as shown. See Figures 5.

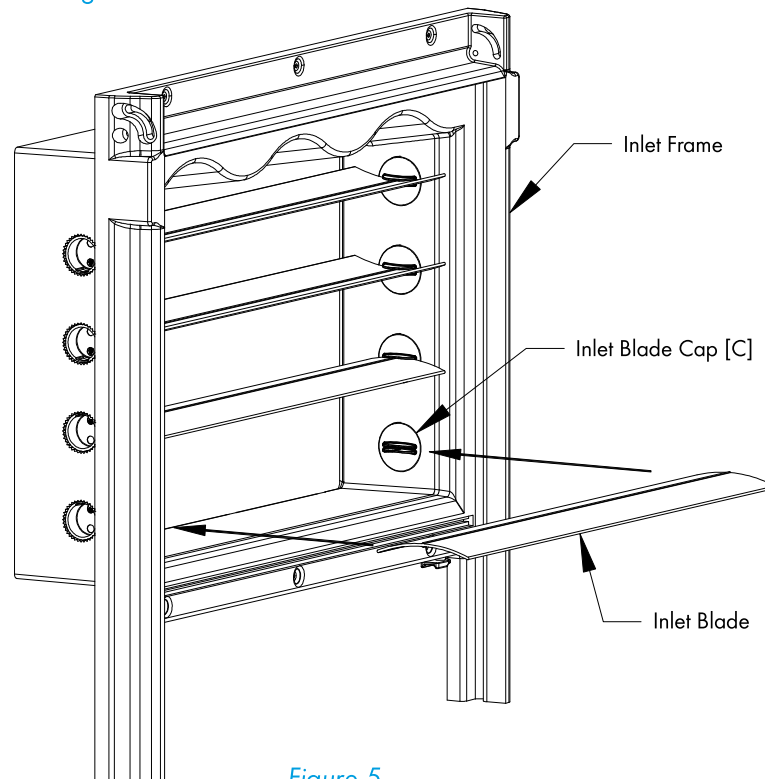


Figure 5

Step 6

Attach Bird Guard to rear side of Inlet Frame using (8) Countersink Screw [N]. See Figures 6.

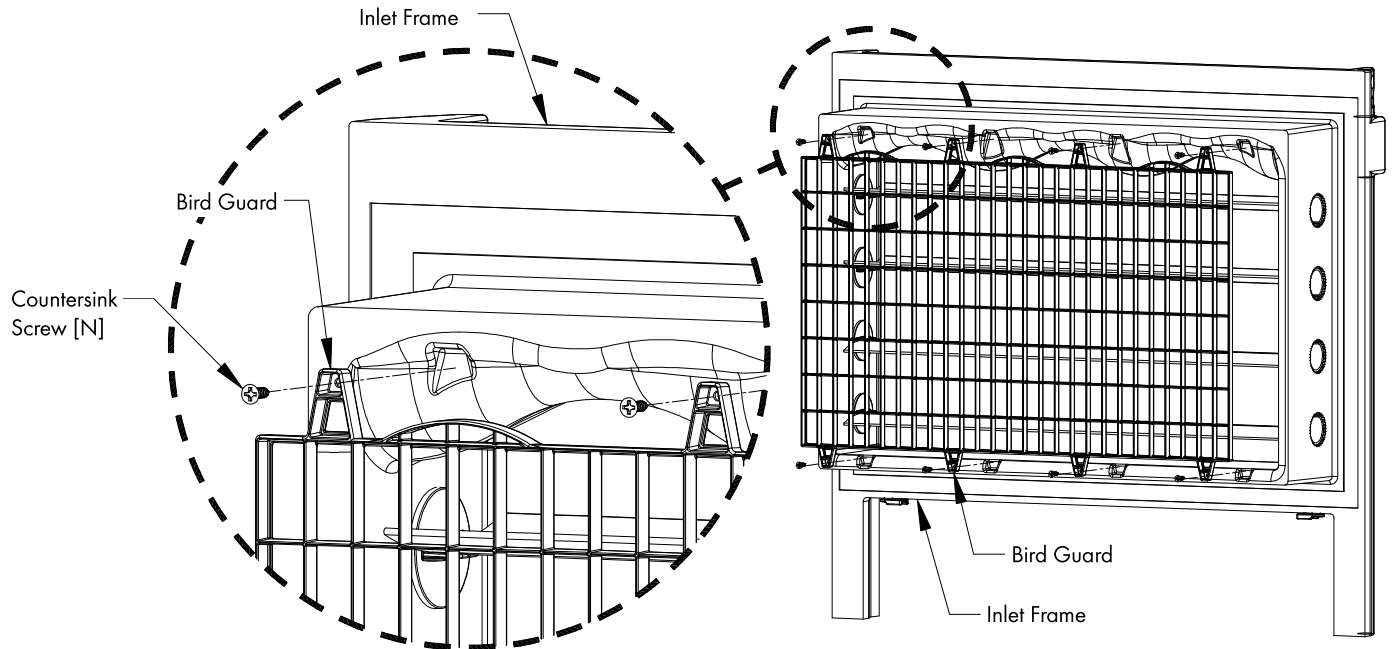


Figure 6

Step 7

Framing surface must be smooth and flat. An 18½" flat surface below inlet framing is also required. Apply a bead of caulk to face of framing, then slide inlet into framing from inside the room. See Figures 7.

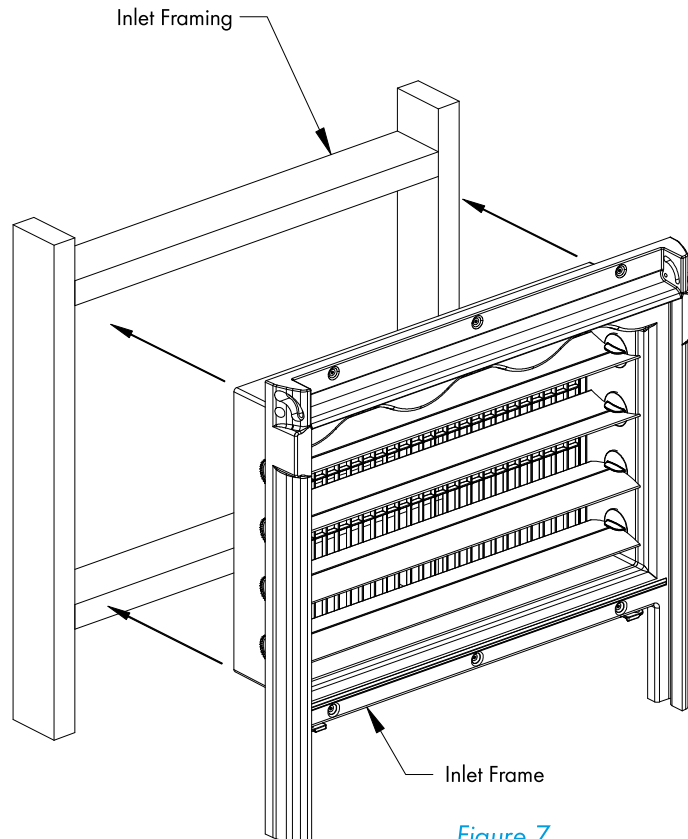


Figure 7

Step 8

Secure inlet in framing using (6) 2" Pole Barn Screws (not provided). Be sure not to overtighten screws and damage inlet. See [Figures 8](#).

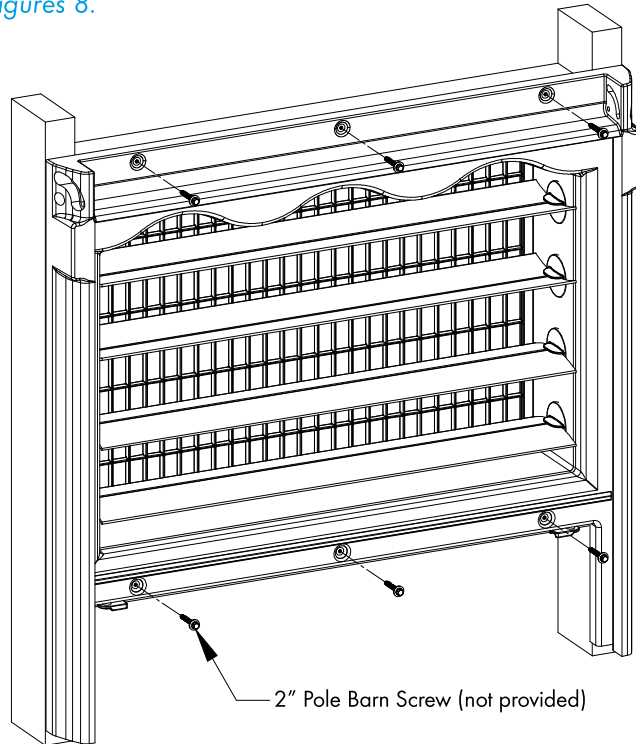


Figure 8

Note:

If optional Directional Flap was purchased, the proceed to [Steps 9 and 10](#). Otherwise, proceed to [Step 11](#).

Step 9

Slide Directional Flap into Inlet at top between sides and fasten in place using (2) M6 Bolts [K]. See [Figures 9](#).

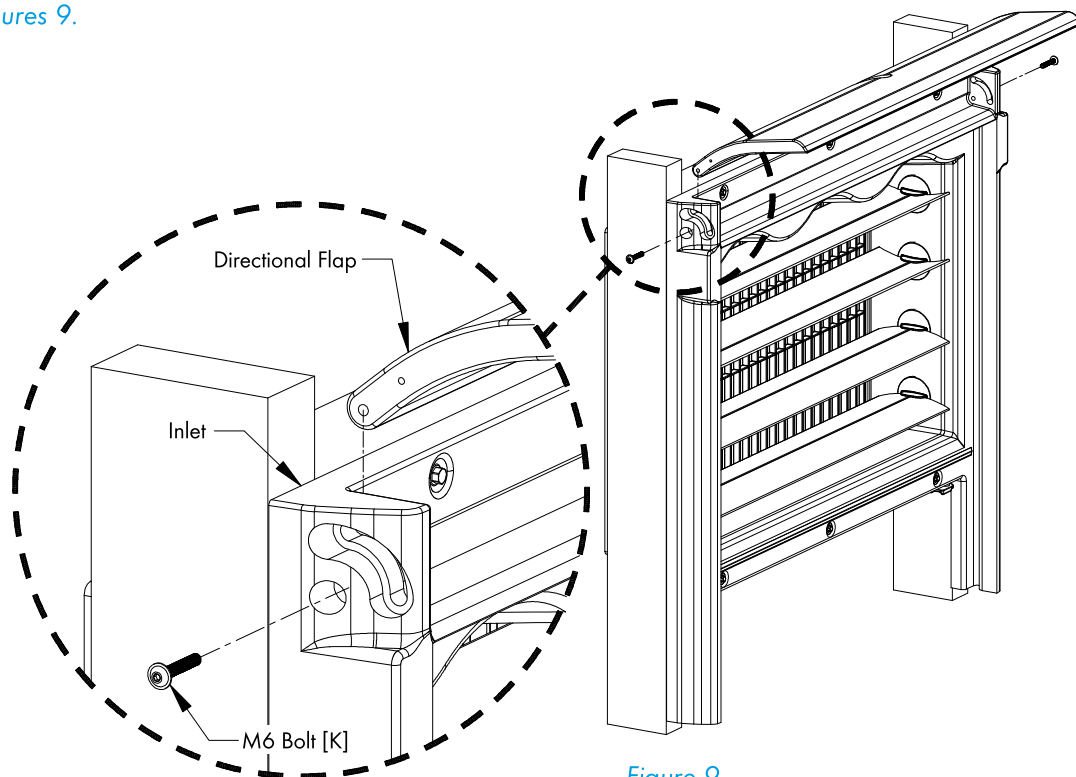


Figure 9

Step 10

Insert Directional Flap Bushing [A] into slot in side of inlet. Insert Raised Head Screw [L] through 15mm Washer [M] and Directional Flap Bushing [A] into hole in Directional Flap and tighten to a snug fit. **DO NOT** over tighten, Directional Flap should be able to adjust to each notch in Bushing. See Figures 10.

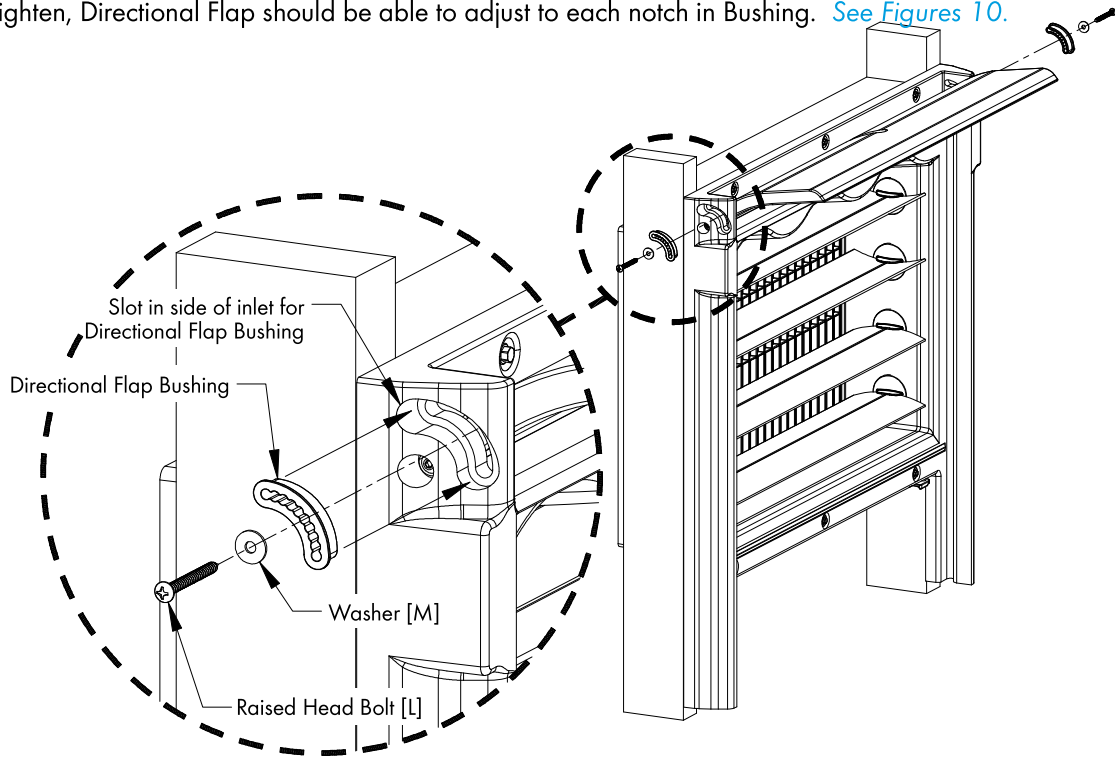


Figure 10

Step 11

Insert a Spring Mechanism [D] into each Slot in Slide Flange of Door Inlet, 5 slots per flange. See Figures 11. **Make sure** the open end of the curved spring point toward the bottom of the door.

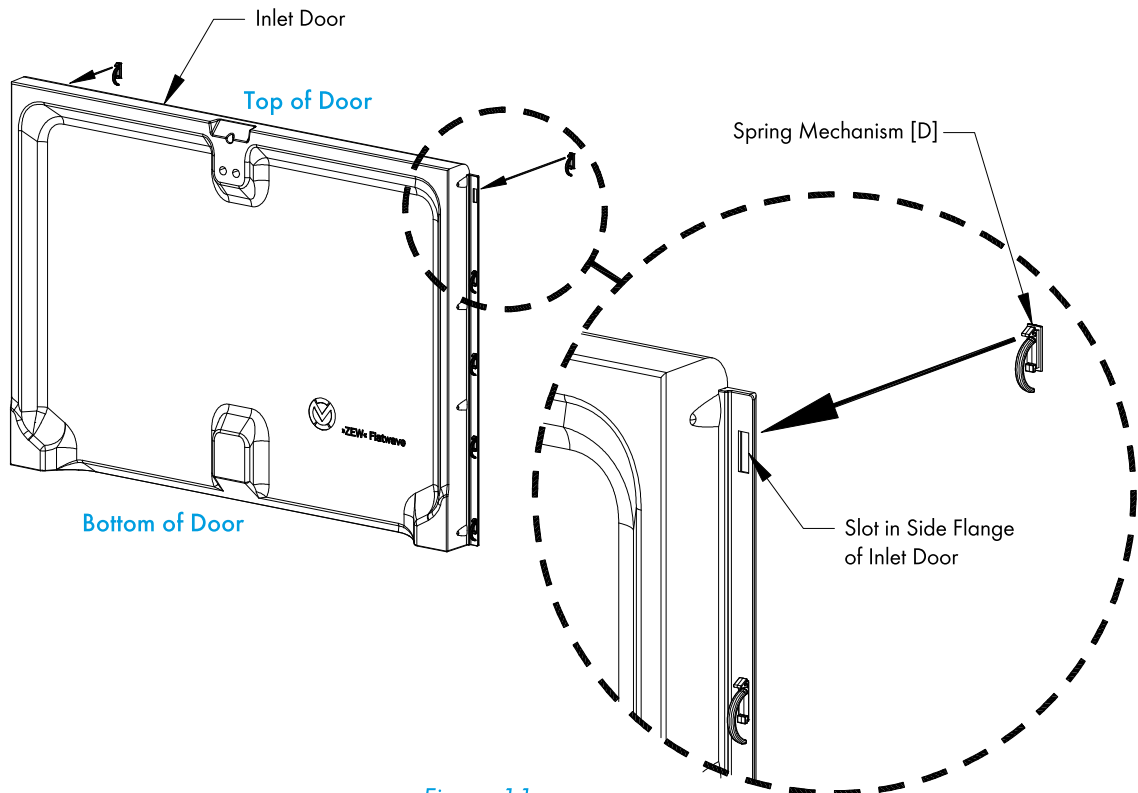


Figure 11

Step 12

Thread Large Blue Nut [F] onto Door Holder [E], then attach Door Holder [E] to top of Inlet Door using (2) Flat Washers [J] and Countersink Screws [H]. See Figures 12.

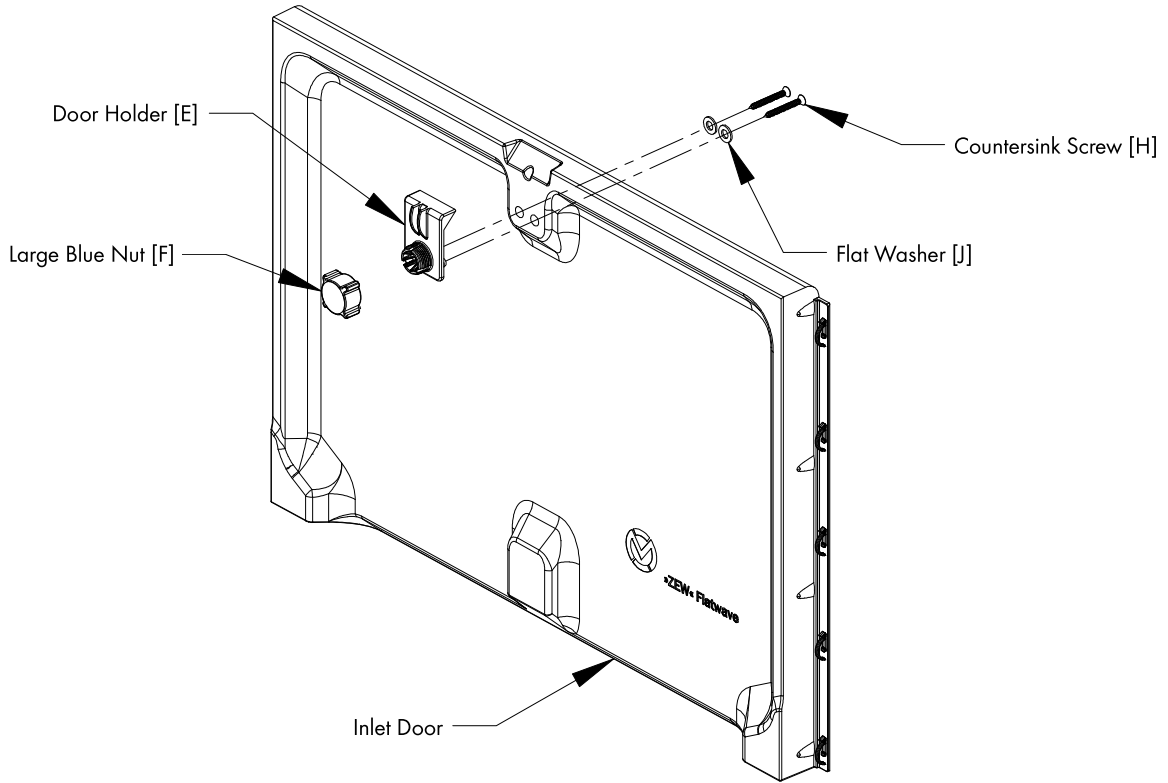


Figure 12

Step 13

Insert Door Flanges into Inlet Slide Rails and push Door all the way up so Door is closed. The Door Holder should be up towards the top of the inlet. See Figures 13.

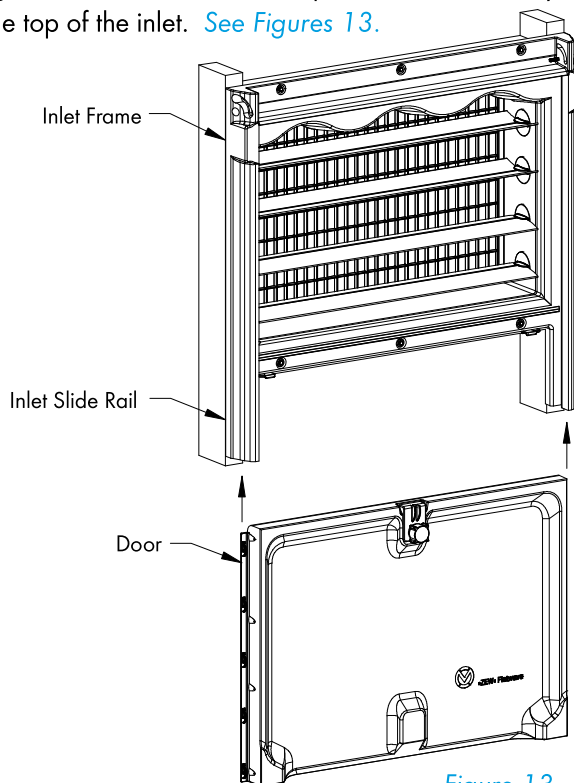


Figure 13

Step 14

Hold Door up in the Close position and rotate the Door Latches to hold the Door in the Close position.
See Figures 14.

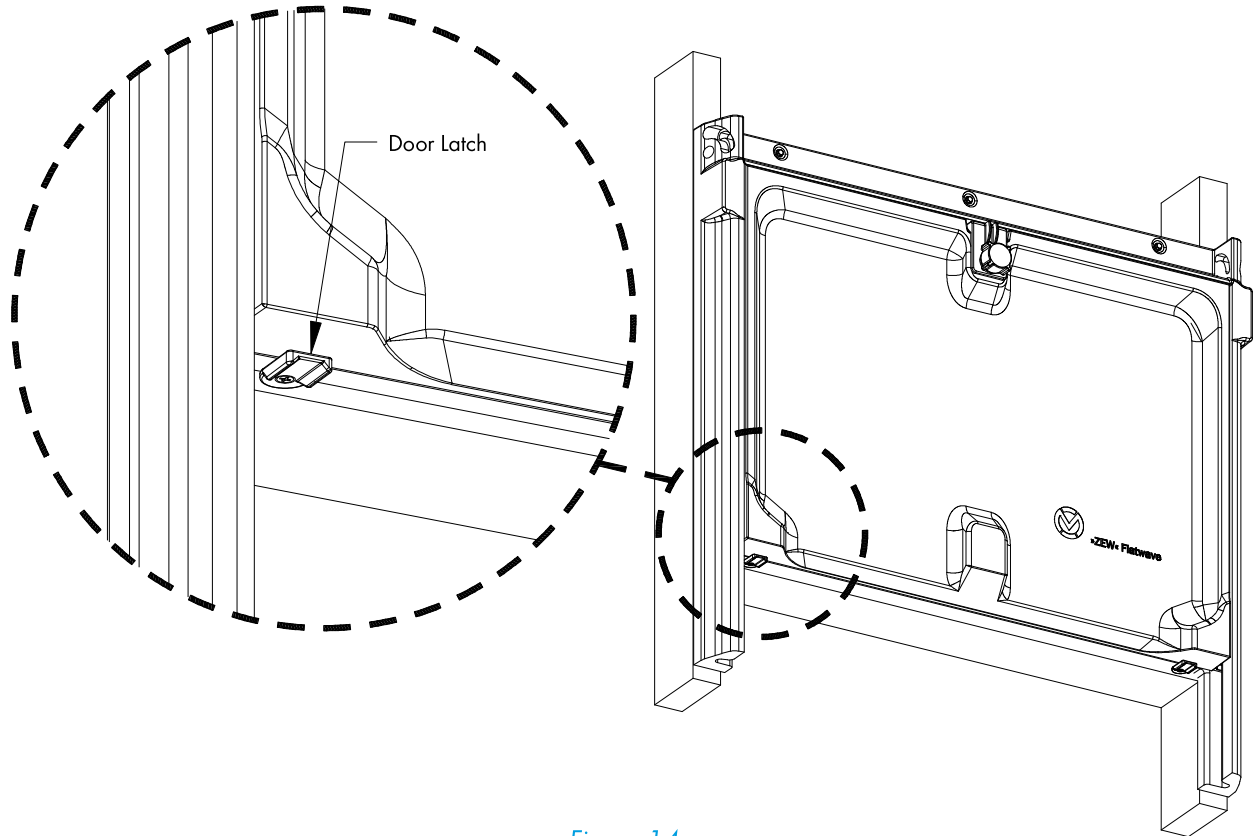


Figure 14

Step 15

Install the Wall Guide Bracket $7\frac{7}{8}$ " [200mm] above the top of the inlet using (3) 2" Pole Barn Screws (not provided). Shift the Wall Guide Bracket the direction of where the actuator is so that the edge of the Wall Guide Bracket opposite the actuator is lined up with the center of the Door Holder. See Figures 15.

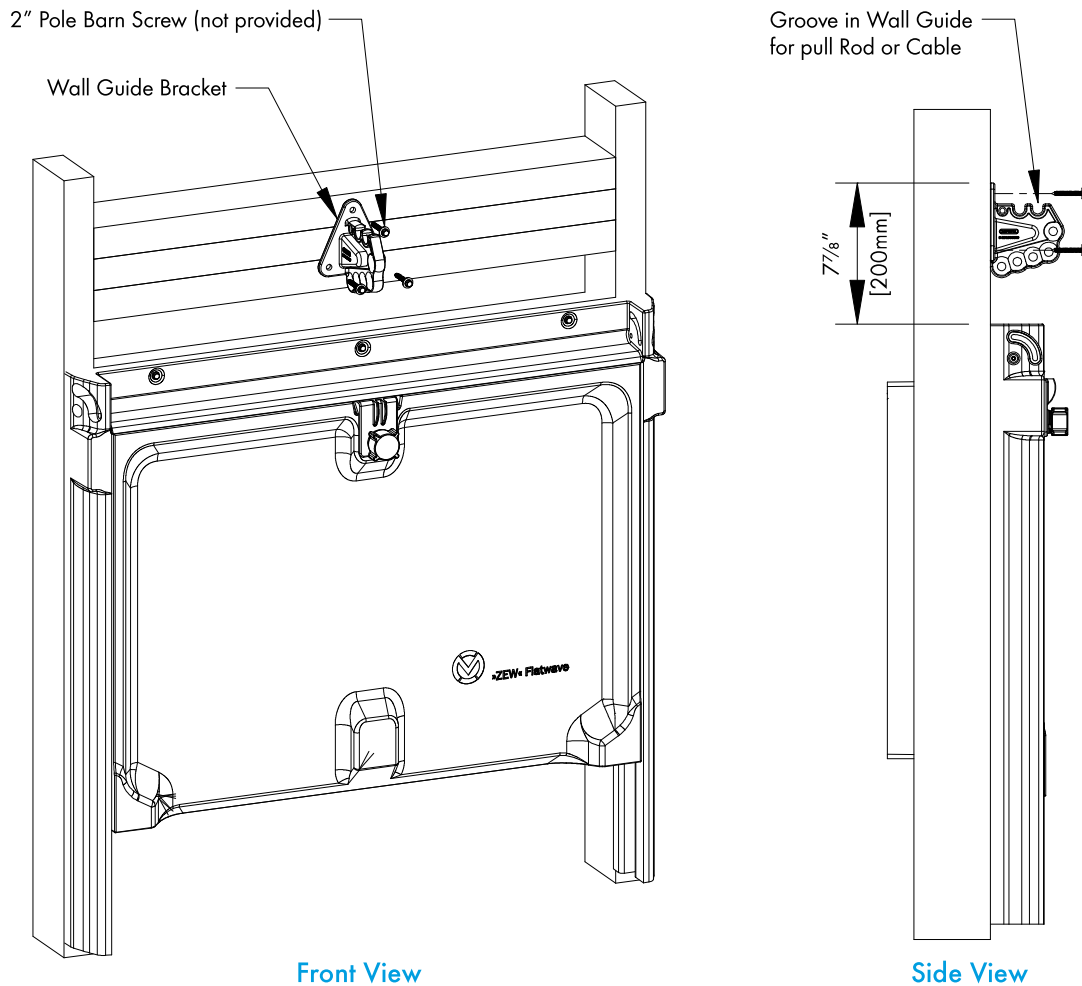


Figure 15

Step 16

Attach pulleys in line with Groove in Wall Guide Bracket at each endwall or each end of group of inlets.
See Figure 16A and 16B.

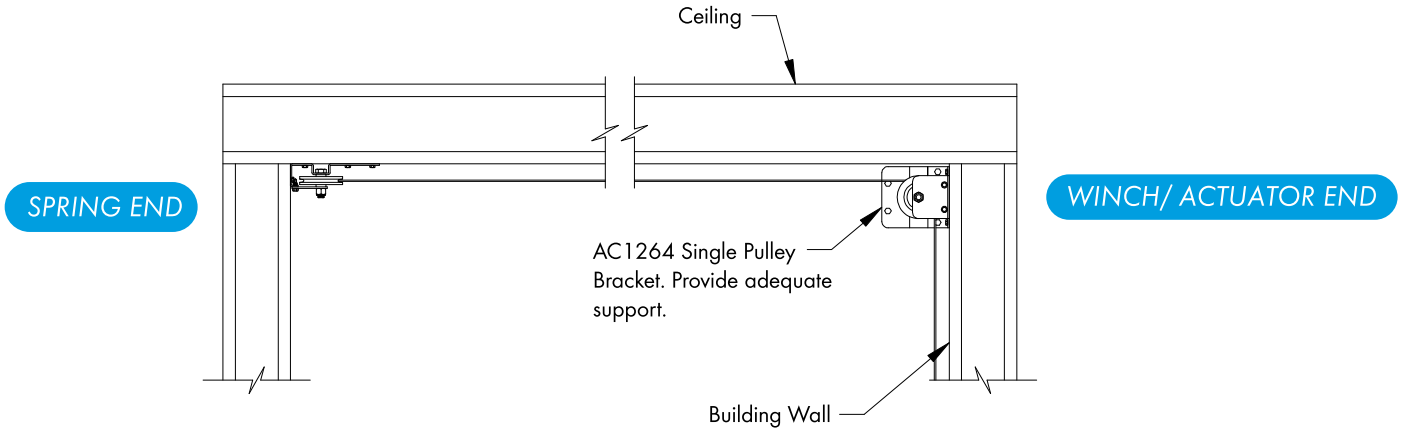


Figure 16A

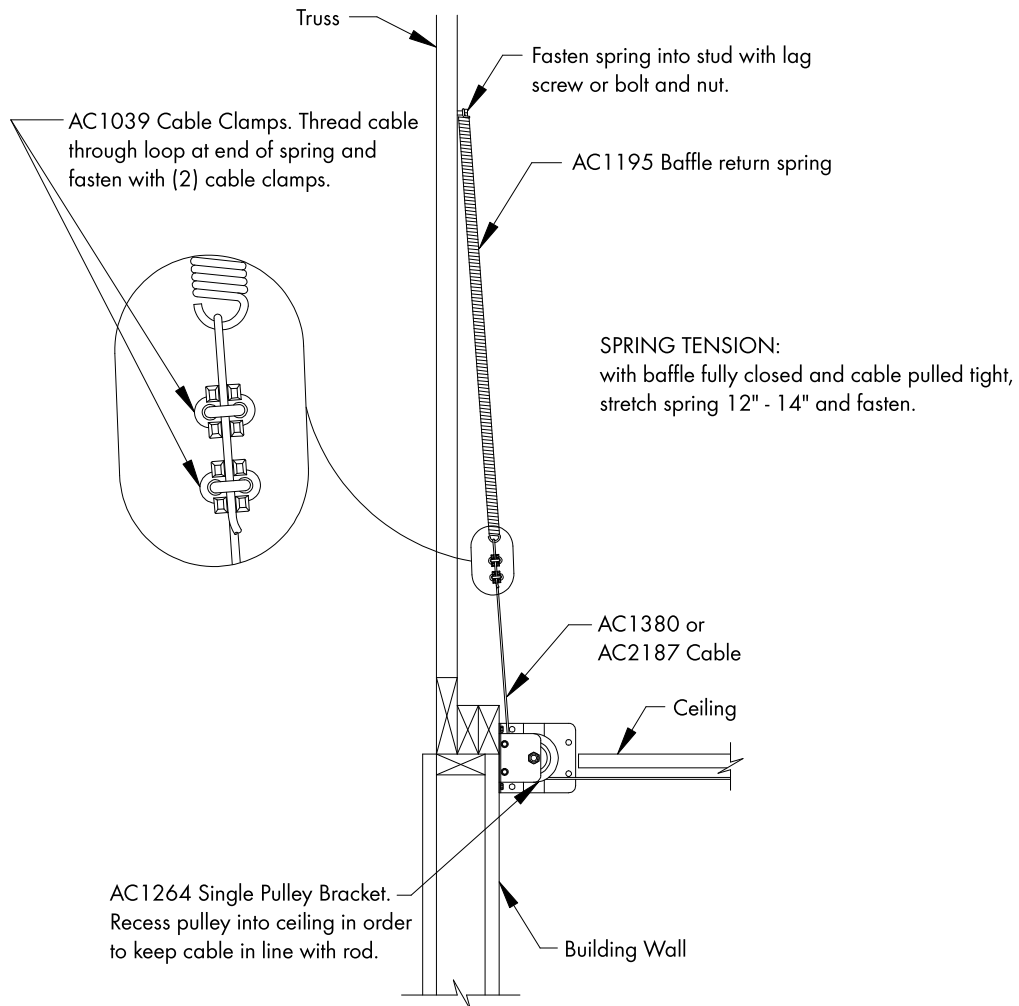


Figure 16B

Step 17

Run Main Rod or Cable in outer groove of Wall Guide Bracket. Additional support for Main Rod or Cable may be required. Attach Lift Line to Main Rod/Cable 14" back from Wall Guide toward Actuator using cable clamp. Run lift line through the hole in the end of the Wall Guide Bracket and down through the groove in Door Holder and then through hole in Door Holder and secure by tightening the Large Blue Nut on end of Lift Arm. See Figure 17.

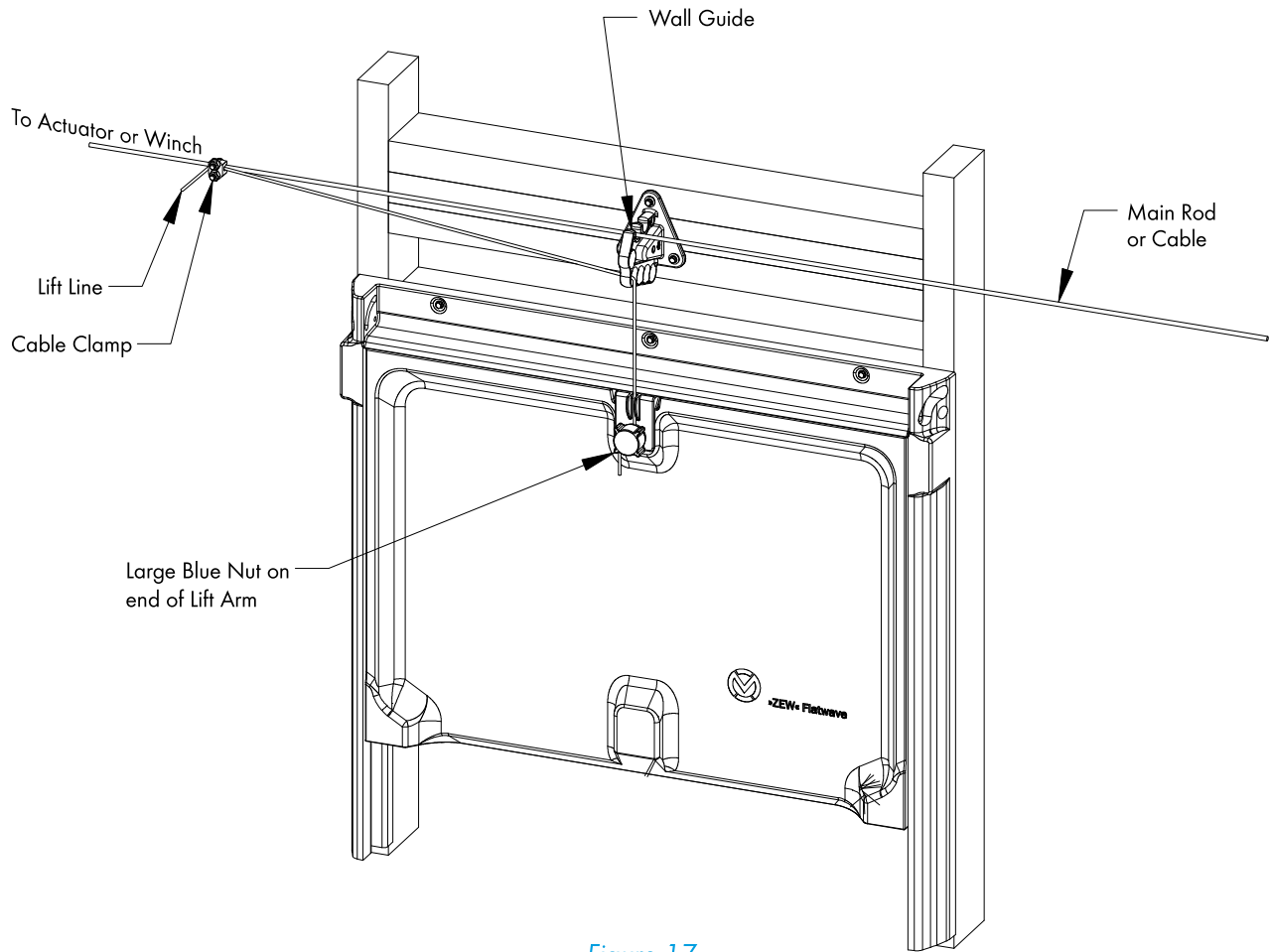


Figure 17

Step 18

With the winch at its fully closed position, go back, check and readjust each baffle door tightly to inlet frame. Use winch or actuator to open and close inlets a few times to make sure inlet moves smoothly and each door remains even over the total length of house. [See Figure 18.](#)

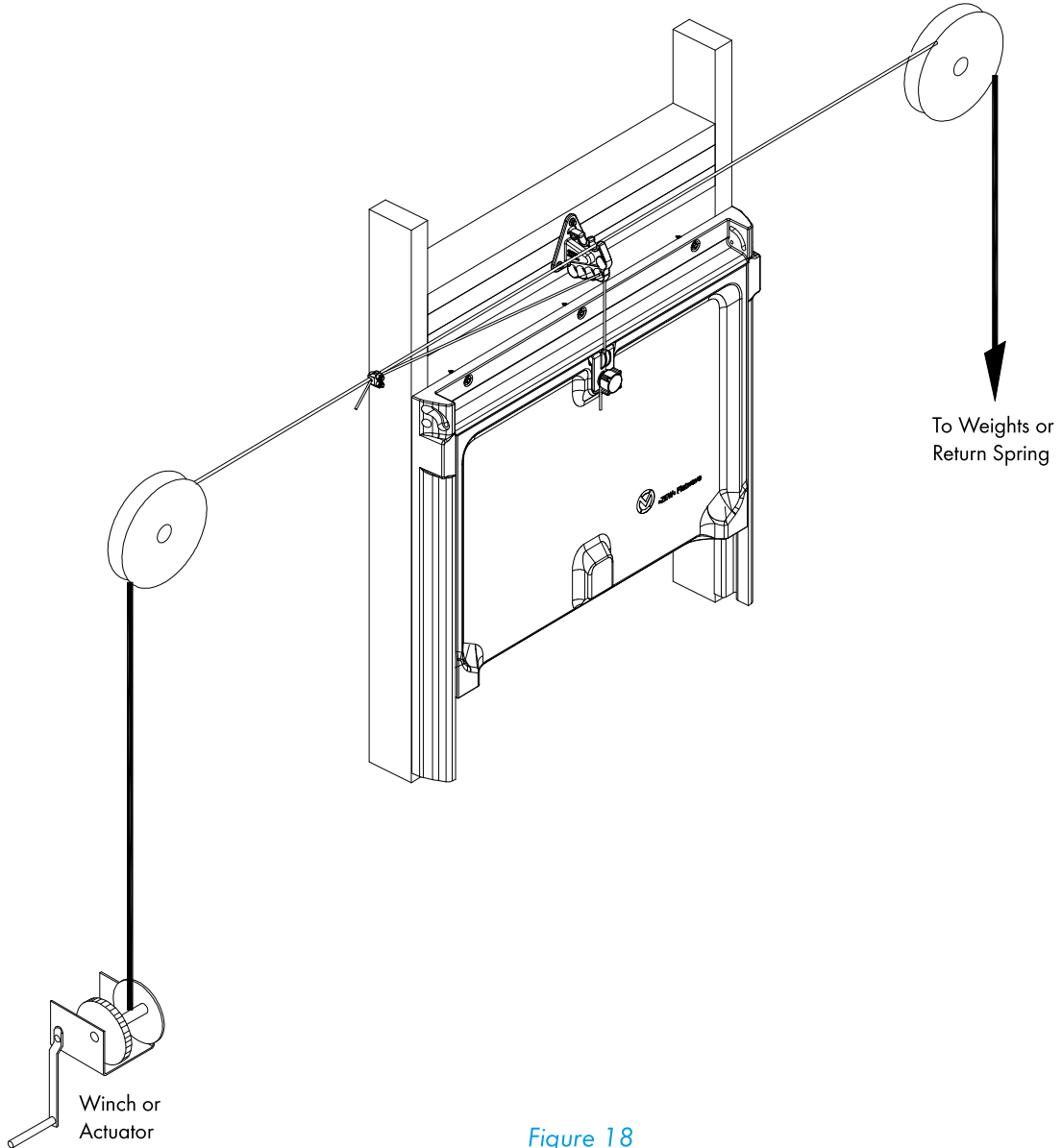
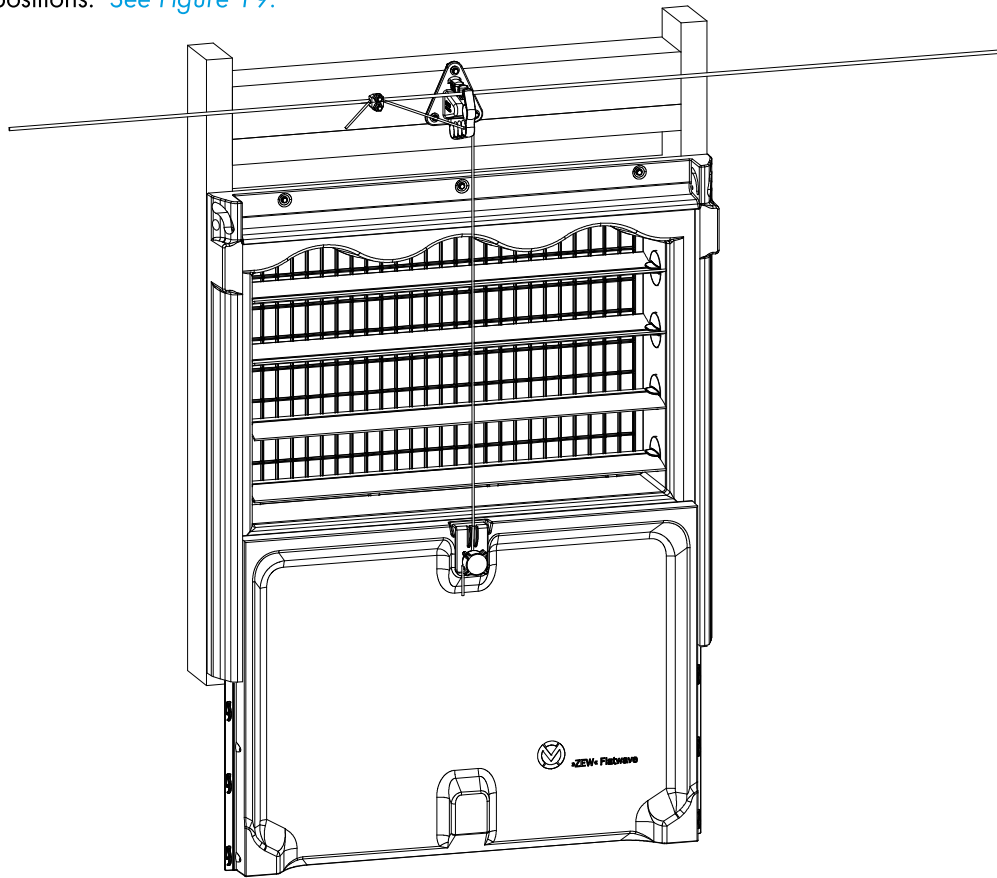


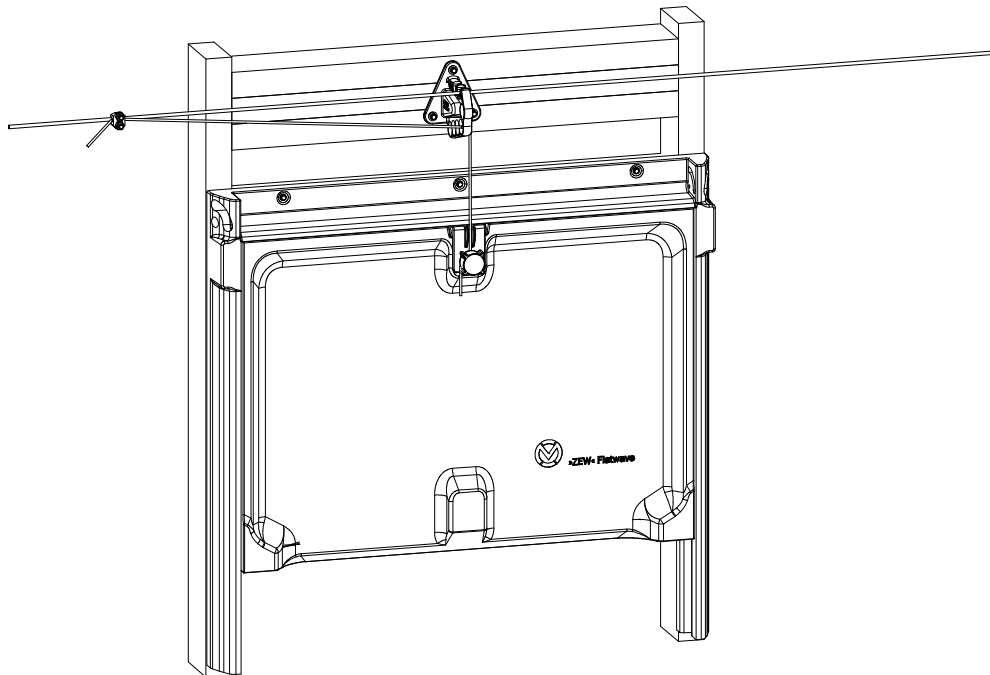
Figure 18

Step 19

For Inlet Door positions. See Figure 19.



Open Position



Close Position

Figure 19

This page left blank intentionally

ZEWF2600 Reventa Inlets are Sold by Munters Corporation Lansing, Michigan U.S.A. 1-800-227-2376



Munters Europe AB, Isafjordsgatan 1, P.O. Box 1150, SE-164 26 Kista, Sweden. Phone +46 08 626 63 00, Fax +46 8 754 56 66.

Munters Corporation 2691 Ena Drive Lansing, MI 48917 U.S.A. Phone +1 800-227-2376, Fax +1 517-676-7078

www.munters.us

Australia Munters Pty Limited, Phone +61 2 6025 6422, **Brazil** Munters Brasil Industria e Comercio Ltda, Phone +55 41 3317 5050, **Canada/US** Munters Corporation Lansing, MI Phone +1 517 676 7070, **China** Munters Air Treatment Equipment (Beijing) Co. Ltd, Phone +86 10 80 481 121, **Denmark** Munters A/S, Phone +45 9862 3311, **India** Munters India, Phone +91 20 3052 2520, **Indonesia** Munters, Phone +62 818 739 235, **Italy** Munters Italy S.p.A., Chiusavecchia, Phone +39 0183 52 11, **Japan** Munters K.K., Phone +81 3 5970 0021, **Korea** Munters Korea Co. Ltd., Phone +82 2 761 8701, **Mexico** Munters Mexico, Phone +52 818 262 54 00, **Russia** Munters AB, Phone +7 812 448 5740, **Singapore** Munters Pte Ltd., Phone +65 744 6828, **South Africa and Sub-Sahara Countries** Munters (Pty) Ltd., Phone +27 11 997 2000, **Spain** Munters Spain S.A., Phone +34 91 640 09 02, **Sweden** Munters AB, Phone +46 8 626 63 00, **Thailand** Munters Co. Ltd., Phone +66 2 642 2670, **Turkey** Munters Form Endüstri Sistemleri A.Ş, Phone +90 322 231 1338, **USA** Munters Corporation Lansing, MI Phone +1 517 676 7070, **Vietnam** Munters Vietnam, Phone +84 8 3825 6838, **Export & Other countries** Munters Italy S.p.A., Chiusavecchia Phone +39 0183 52 11