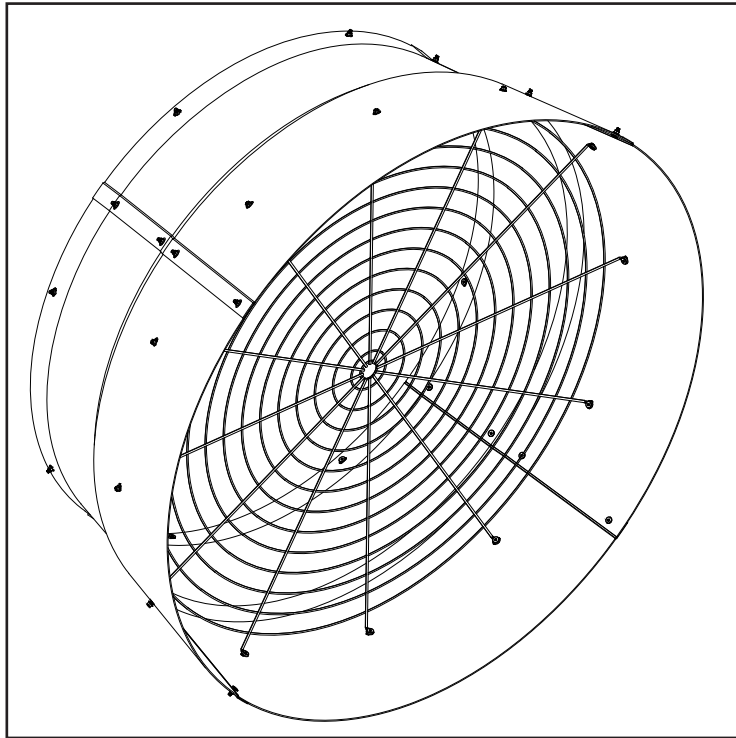


# Instruction Manual



## Discharge Cone

"FC" Series  
36" & 48"

## Discharge Cone

"FC" Series for 36" & 48" Fans

Models: 365FC · 481FC



# Discharge Cone "FC" Series

## Instructions for Use and Maintenance

### Thank You:

Thank you for purchasing a Munters Discharge Cone. Munters equipment is designed to be the highest performing, highest quality equipment you can buy. With the proper installation and maintenance it will provide many years of service.

### Please Note:

To achieve maximum performance and insure long life from your Munters product it is essential that it be installed and maintained properly. Please read all instructions carefully before beginning installation.

### Warranty:

For Warranty claims information see the "Warranty Claims and Return Policy" form QM1021 available from the [Munters Corporation office at 1-800-227-2376 or by e-mail at aghort.info@munters.com](mailto:aghort.info@munters.com).

### Conditions and Limitations:

- Products and Systems involved in a warranty claim under the "Warranty Claims and Return Policy" shall have been properly installed, maintained and operated under competent supervision, according to the instructions provided by Munters Corporation.
- Malfunction or failure resulting from misuse, abuse, negligence, alteration, accident or lack of proper installation or maintenance shall not be considered a defect under the Warranty.

# Index

Chapters	Page
1. Unpacking the Equipment	4
1.1 Parts List	4
1.2 Dimensions	4
2. Installation Instructions	5
3. Winterizing	7
3.1 Winterizing	7
3.2 Winter Weather Protection	7
4. Exploded View and Parts List	8

# Unpacking the Equipment

# 1.

Before beginning installation, check the overall condition of the equipment. Remove packing materials, and examine all components for signs of shipping damage. Any shipping damage is the customer's responsibility and should be reported immediately to your freight carrier.

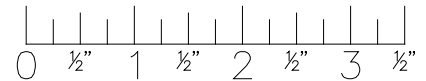
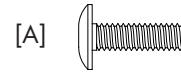
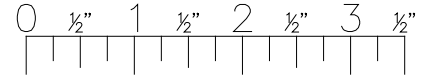
## 1.1 Parts List

Each Cone Includes:

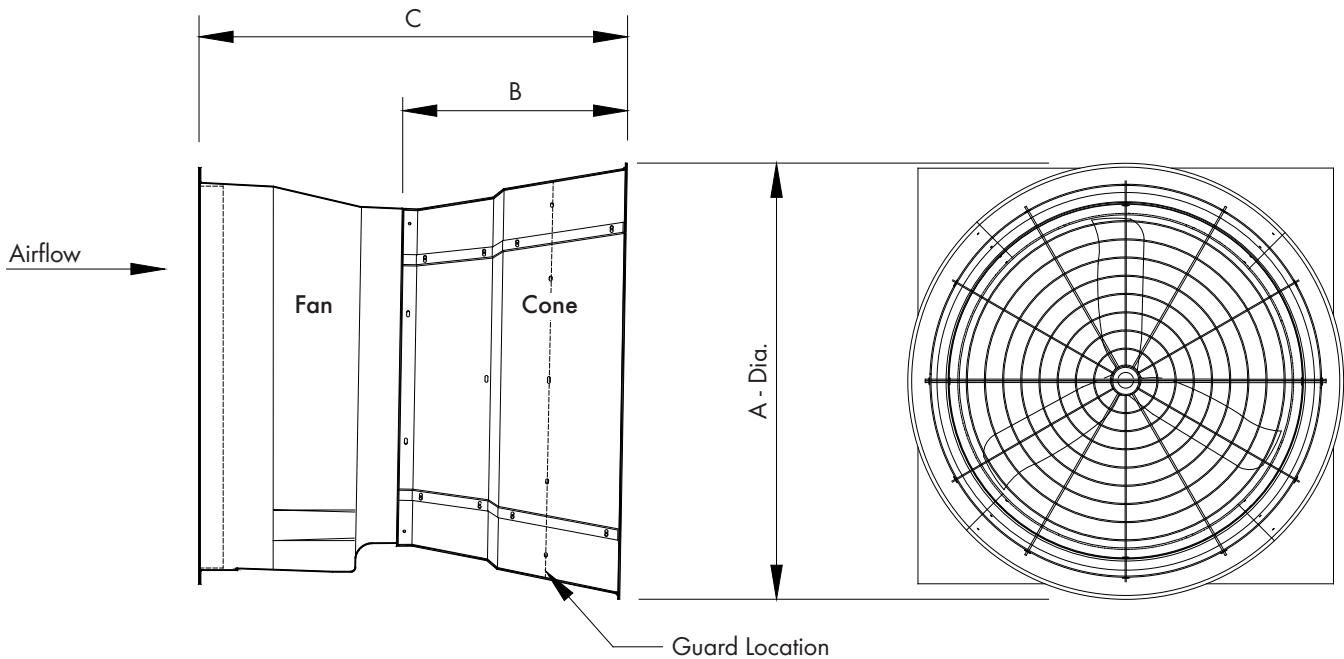
- 4 - Cone Sections (all the same)
- 1 - Guard
- 1 - Hardware Package for 36" or 48" (HP1034):

**HP1034 - Hardware Package for Discharge Cone**

ID	Qty.	Cat. No.	Description
[A]	37	KN1717	1/4"-20 x 7/8" Truss Head Bolt, SS
[B]	37	KX1157	1/4"-20 Hex Flange, Nylock Nut, SS



## 1.2 Cone Dimensions



Cat. No.	Fan Dia.	A - Dia.	B	C
365FC	36"	48"	24 1/2"	47 3/8"
481FC	48"	61"	25 1/8"	48 7/8"

# Installation Instructions

# 2.

## 2.1 Installation

**Note:** The fan must be installed in the wall before proceeding with Discharge Cone installation.

### Step 1

Remove packaging from cone sections and guard.

### Step 2

Place (1) cone section on top of the fan outlet as shown in [Figure 1](#). Install (3) Bolt [A] through holes in fan outlet and slots in cone section and secure with Nut [B]. Truss Head of each bolt must be on inside of fan outlet, flange nuts must be on outside of cone. [See Figure 2](#). Tighten bolts and nuts until cone section fits firmly around fan outlet.

### Step 3

Facing fan outlet, place left cone section on side of fan outlet, overlapping the first cone section. Attach it to fan outlet using (2) Bolts [A] and Nuts [B], as before. DO NOT tighten nuts at this time. A bolt is not required in the middle of this cone section.

### Step 4

Repeat Step 3 placing right and bottom cone sections around fan outlet.

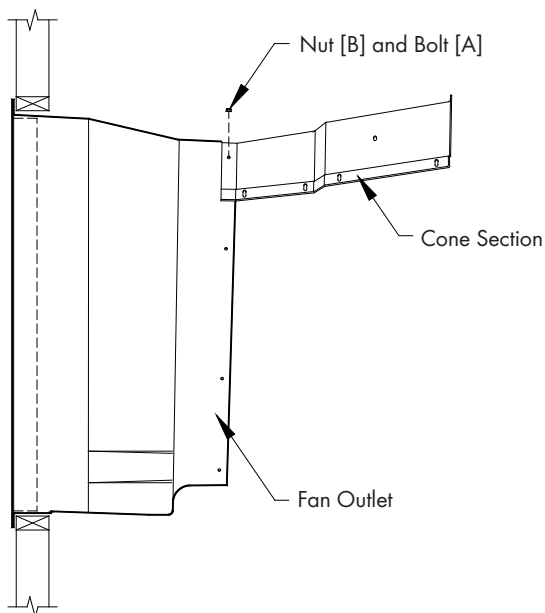


Figure 1

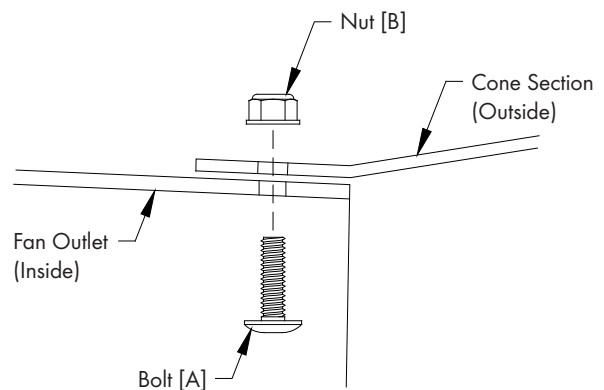


Figure 2

**Step 5**

Join Cone Sections together by installing (4) Bolts [A] through holes and into slots at each joint and secure with Nuts [B]. See Figure 3. DO NOT tighten bolts at this time.

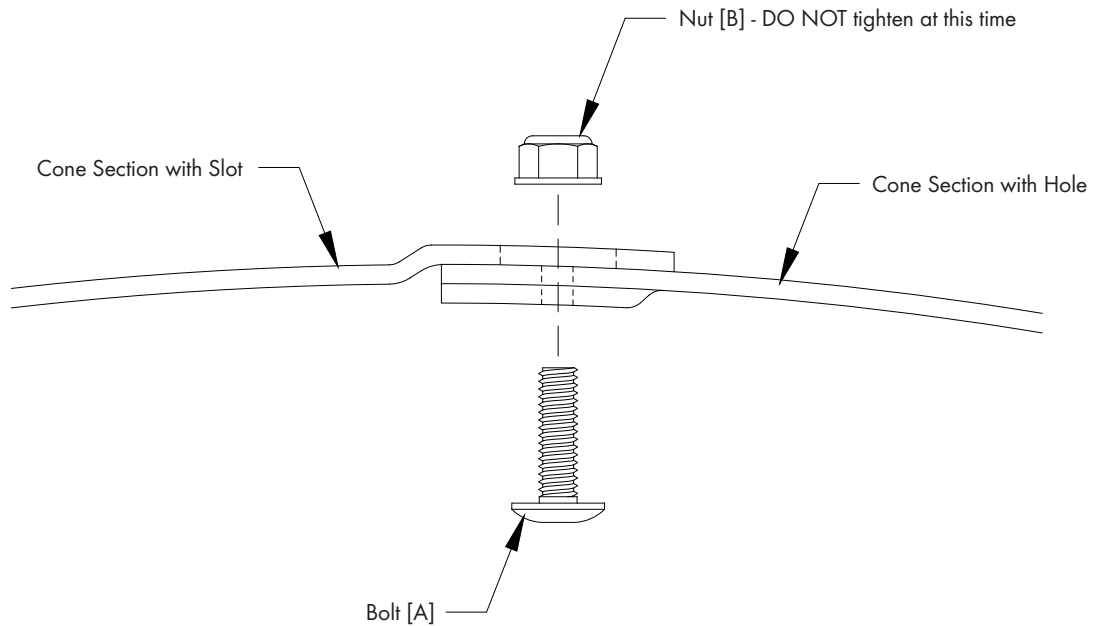


Figure 3

**Step 6**

Insert Guard into Cone with the Guard Eyelets facing you (out). Make sure each Eyelet lines up with a hole in the cone sections and fasten in place with (6) Bolts [A] and Nuts [B] for the 36" Cone and (12) Bolts [A] and Nuts [B] for the 48" Cone. DO NOT tighten bolts at this time. See Figure 4.

**Step 7**

Push Cone Sections together at each joint to tighten Cone around Guard. Tighten Bolts and Nuts at all joints, taking care not to overtighten. Tighten all Bolts holding Guard in place.

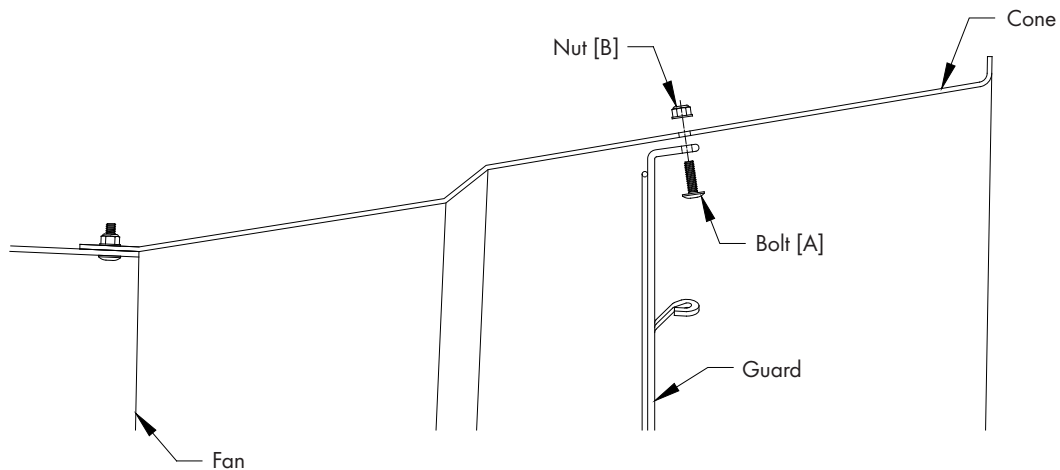


Figure 4

## 3.1 Winterizing

In most climates, it is probable that the ventilation system will never need to operate at a total capacity during the colder winter months. Consequently, it is advisable to “winterize” those fans which will not be used in cold weather to avoid unnecessary heat loss and condensation.

To winterize, turn fan control “off”. Install the insulated closure panel over the fan intake. If you don’t have an insulated closure panel, a piece of rigid insulation material can be used. Remember the insulation panel must be removed before warmer weather returns.

**NOTE:** At least one single speed fan should be left uncovered and with power available to provide air movement in the event of variable speed control difficulties.

## 3.2 Winter Weather Protection

To prevent cone or fan damage from snow or ice sliding off building roof, weather protection must be provided. A weather shelter may be constructed to cover the entire fan, *See Figure 5*, or snow guards may be placed on the roof, *See Figure 6*.

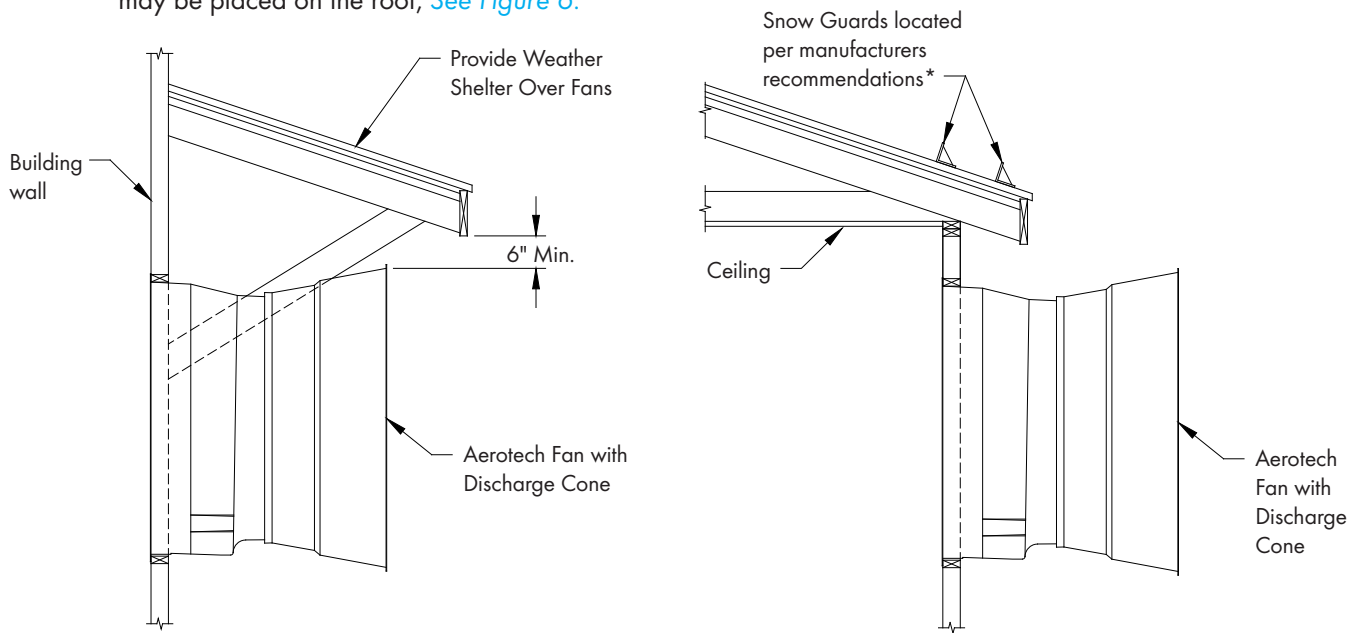


Figure 5

Figure 6

### \* Snow Guard Suppliers

Company Name	Phone No.	Fax No.	Web Site
Snojax, Inc.	800-766-5291	717-697-2452	www.snojax.com
Polar Blox	800-298-4328	814 629-9090	www.polarblox.com
LM Curbs	800-284-1412	903 759-3598	www.lmcurbs.com
Alpine Snow Guards	888-766-4273	888-766-9994	www.alpinesnowguards.com

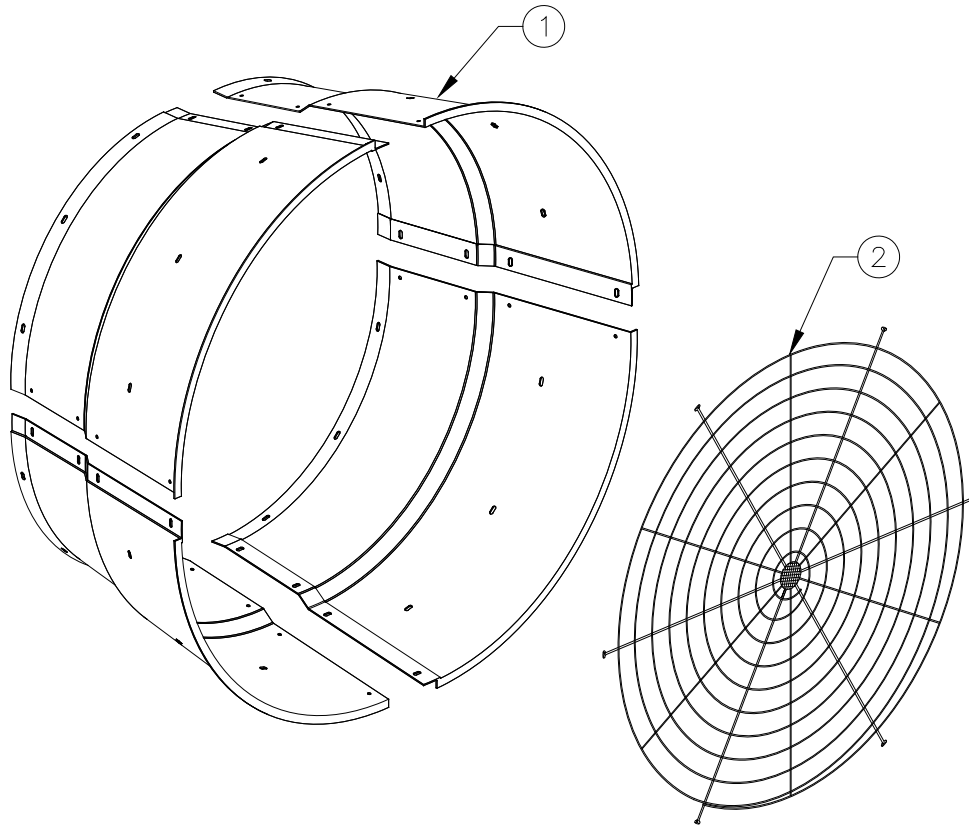
### **IMPORTANT**

Munters Product and System Warranties do not cover cone or fan damage from external sources.

**Note:** Snow guards are designed to prevent sudden, dangerous snow and ice slides when attached to the building roof according to manufacturers recommendations. The supplier listing above is given as a reference only. Aerotech does not endorse any specific snow guard product and no performance warranty is implied.

# Exploded View

# 4.



Item	Catalog No.		Part Name/Description	Qty.
	36"	48"		
1	FH3336	FH3348	Discharge Cone Section, FG	4
2	FH1336	FH2648	Guard, Round, CTD Black	1

"FC" Discharge Cone is developed and produced by Munters Corporation, Lansing, Michigan U.S.A. 1-800-227-2376



Munters Europe AB, Isafjordsgatan 1, P.O. Box 1150, SE-164 26 Kista, Sweden. Phone +46 08 626 63 00, Fax +46 8 754 56 66.

Munters Corporation 2691 Ena Drive Lansing, MI 48917 U.S.A. Phone +1 800-227-2376, Fax +1 517-676-7078

[www.munters.us](http://www.munters.us)

**Australia** Munters Pty Limited, Phone +61 2 6025 6422, **Brazil** Munters Brasil Industria e Comercio Ltda, Phone +55 41 3317 5050, **Canada/US** Munters Corporation Lansing, MI Phone +1 517 676 7070, **China** Munters Air Treatment Equipment (Beijing) Co. Ltd, Phone +86 10 80 481 121, **Denmark** Munters A/S, Phone +45 9862 3311, **India** Munters India, Phone +91 20 3052 2520, **Indonesia** Munters, Phone +62 818 739 235, **Italy** Munters Italy S.p.A., Chiusavecchia, Phone +39 0183 52 11, **Japan** Munters K.K., Phone +81 3 5970 0021, **Korea** Munters Korea Co. Ltd., Phone +82 2 761 8701, **Mexico** Munters Mexico, Phone +52 818 262 54 00, **Russia** Munters AB, Phone +7 812 448 5740, **Singapore** Munters Pte Ltd., Phone +65 744 6828, **South Africa and Sub-Sahara Countries** Munters (Pty) Ltd., Phone +27 11 997 2000, **Spain** Munters Spain S.A., Phone +34 91 640 09 02, **Sweden** Munters AB, Phone +46 8 626 63 00, **Thailand** Munters Co. Ltd., Phone +66 2 642 2670, **Turkey** Munters Form Endüstri Sistemleri A.Ş, Phone +90 322 231 1338, **USA** Munters Corporation Lansing, MI Phone +1 517 676 7070, **Vietnam** Munters Vietnam, Phone +84 8 3825 6838, **Export & Other countries** Munters Italy S.p.A., Chiusavecchia Phone +39 0183 52 11