

### THANK YOU

Thank you for purchasing an BI28 conversion kit from Munters. Munters equipment is designed to be the highest performing, highest quality equipment you can buy. With the proper installation and maintenance it will provide many years of service.

### PLEASE NOTE

To achieve maximum performance and insure long life from your Munters product it is essential that it be **installed and maintained properly**. Please read all instructions carefully before beginning installation.

### INSTALLATION INSTRUCTIONS

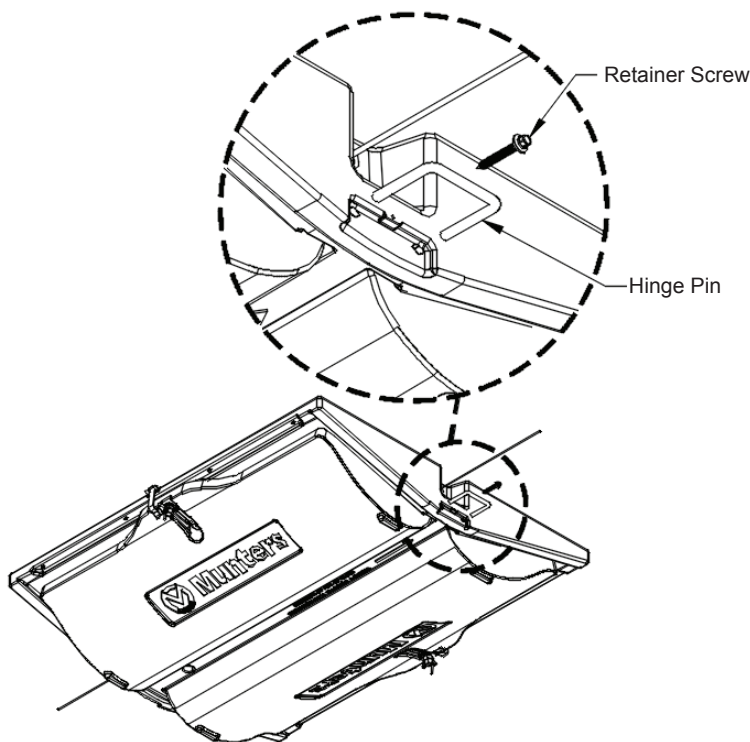
Place inlet actuators/switches in OFF position prior to working on inlets.

#### Step 1

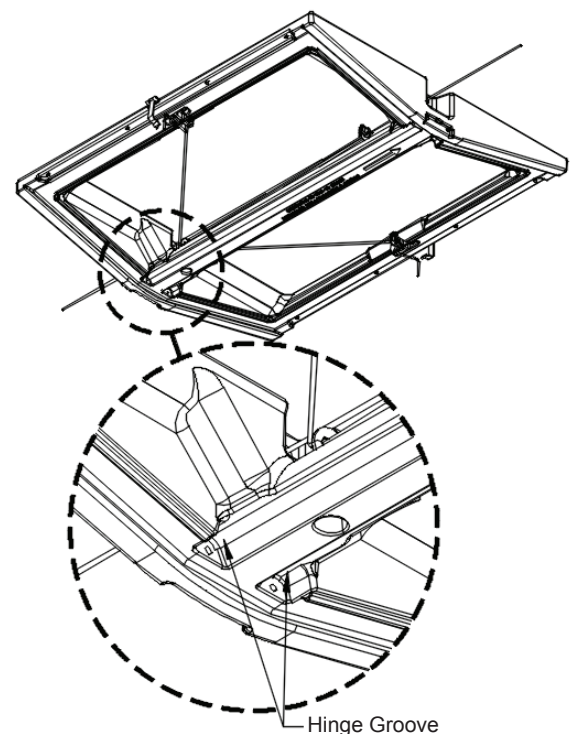
Remove retainer screw and hinge pin from each end of inlet and either remove doors or let them hang down from the lift line. **See Figure 1.**

#### Step 2

Remove any dirt and debris from the hinge groove on the inlet frame. Then clean groove with acetone or rubbing alcohol. **See Figure 2.**



**Figure 1**



**Figure 2**

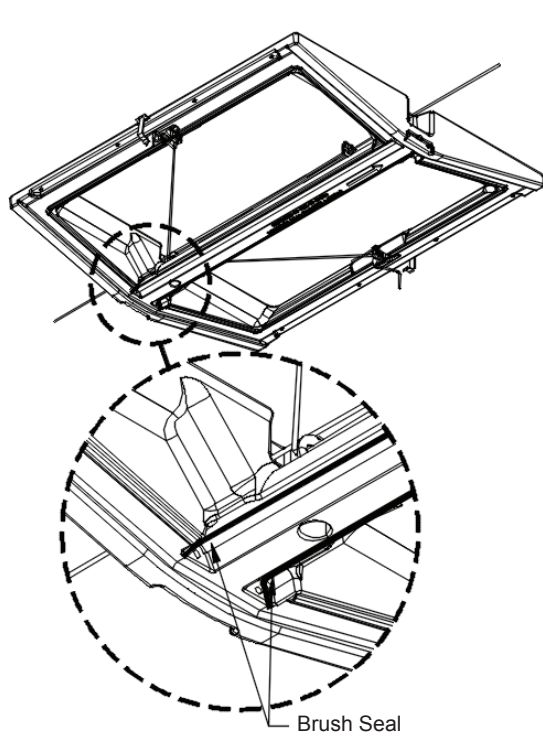
**Step 3**

Install the Brush Seal in the hinge groove making sure not to cover the hole for the hinge pin. **See Figure 3.** To install Brush Seal, peel white adhesive cover off and apply pressure to Brush Seal when applying.

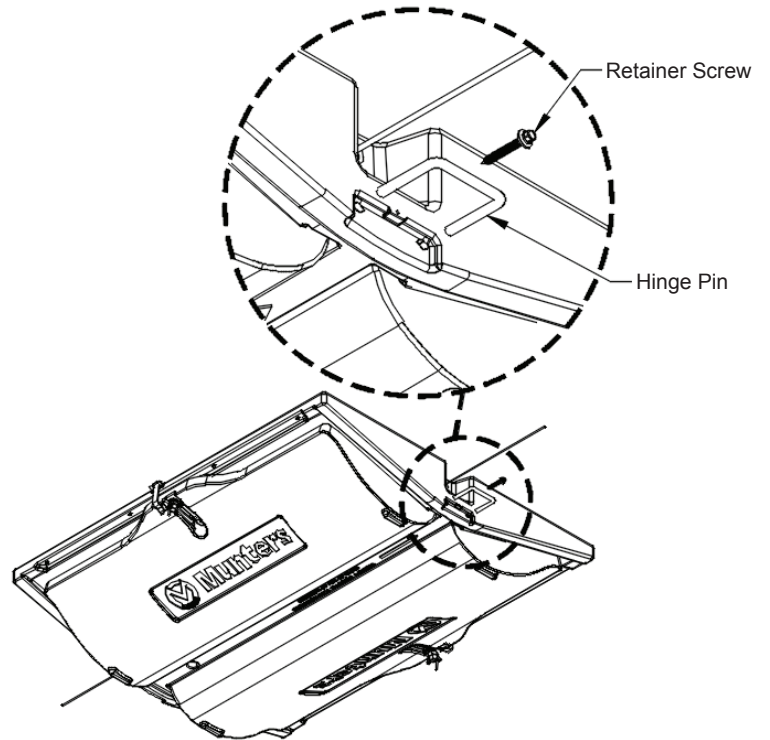
**Step 4**

While holding the doors in place reinstall the hinge pins through the frame and into the door. Then reinstall the retainer screws. **See Figure 4.**

Turn inlet actuators/switches back to AUTO.



**Figure 3**



**Figure 4**