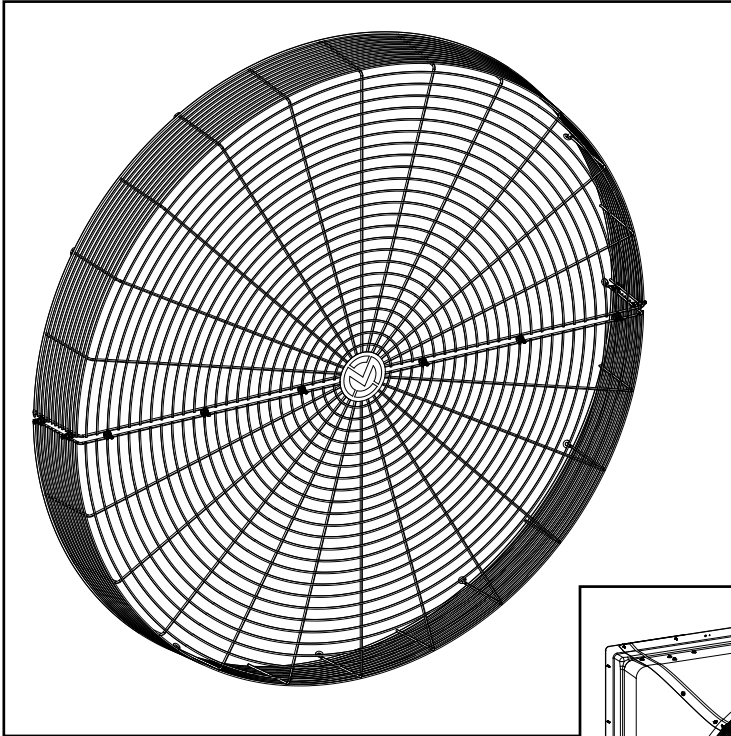
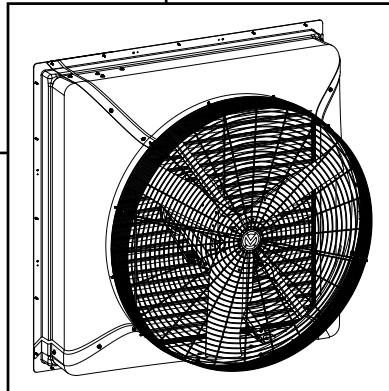


Instruction Manual

Aerotech Outlet Guard Kit for Atlas 74 Series Fan 74"



74WG



ATS74 with 74WG

Outlet Guard Kit for Atlas 74 Fan

Models: 74WG



Outlet Guard Kit for Atlas 74 Fan

Instructions for Use and Maintenance

Thank You:

Thank you for purchasing a Munters 74WG Guard Kit. Munters equipment is designed to be the highest performing, highest quality equipment you can buy. With the proper installation and maintenance it will provide many years of service.

Please Note:

To achieve maximum performance and ensure long life from your Munters product it is essential that it be installed and maintained properly. Please read all instructions carefully before beginning installation.

Warranty:

For Warranty claims information see the “Warranty Claims and Return Policy” form QM1021 available from the [Munters Corporation office at 1-800-227-2376](#) or by e-mail at aghort.info@munters.com.

Conditions and Limitations:

- Products and Systems involved in a warranty claim under the “Warranty Claims and Return Policy” shall have been properly installed, maintained and operated under competent supervision, according to the instructions provided by Munters Corporation.
- Malfunction or failure resulting from misuse, abuse, negligence, alteration, accident or lack of proper installation or maintenance shall not be considered a defect under the Warranty.

Index

Chapters	Page
1. Unpacking the Equipment	4
1.1 Parts List	4
1.2 Dimensions	4
2. Installation Instructions	5
2.1 Guard Installation	5

Unpacking the Equipment

1.

Before beginning installation, check the overall condition of the equipment. Remove packing materials, and examine all components for signs of shipping damage. Any shipping damage is the customer's responsibility and should be reported immediately to your freight carrier.

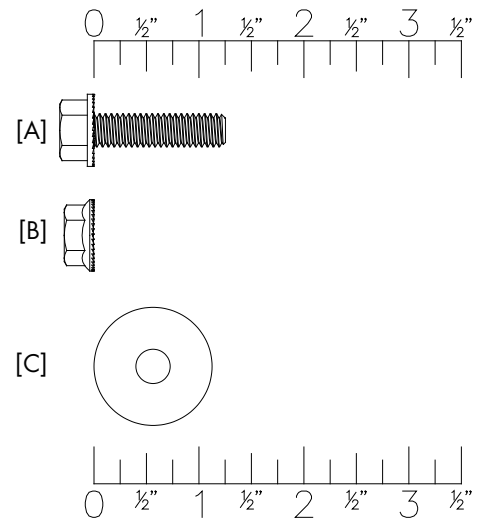
1.1 Parts List

Each Guard Kit includes:

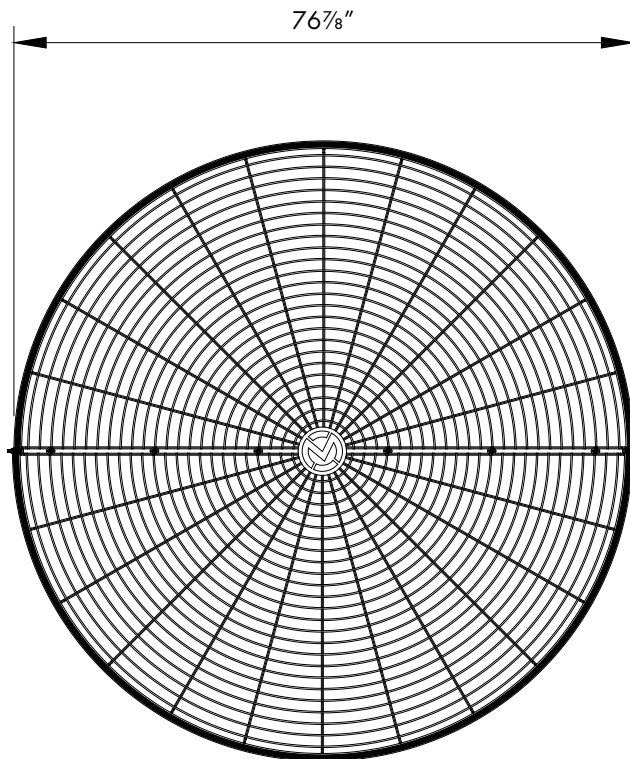
- 1 - Outlet Basket Guard (2 halves)
- 1 - Hardware Packages (HP1192) as follows:

HP1192 - 74WG

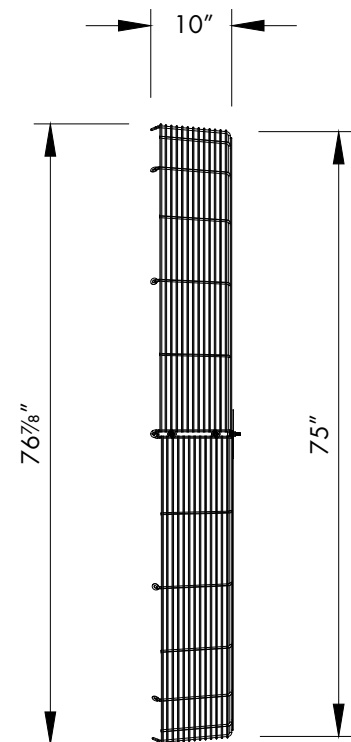
ID	Qty.	Cat. No.	Description
[A]	22	KS1167	5/16"-18 x 1.25" SRTD HX Flange Bolt, ZP
[B]	22	KN0706	5/16"-18 Serrated Flange Hex Nut, ZP
[C]	12	KW3011	5/16" x 1 1/4" OD Flat Washer, SS



1.2 Dimensions



Front View



Side View

Installation Instructions

2.

2.1 Outlet Basket Guard Installation

Step 1

Take the 2 halves of the Outlet Basket Guard and align the center axis of each so the eyelets on the basket part are facing the same direction and the eyelets along the center axis are aligned together. [See Figure 1.](#) Secure the 2 halves of the Outlet Guard together using (6) Bolts [A] and Nuts [B]. [See Figure 1.](#)

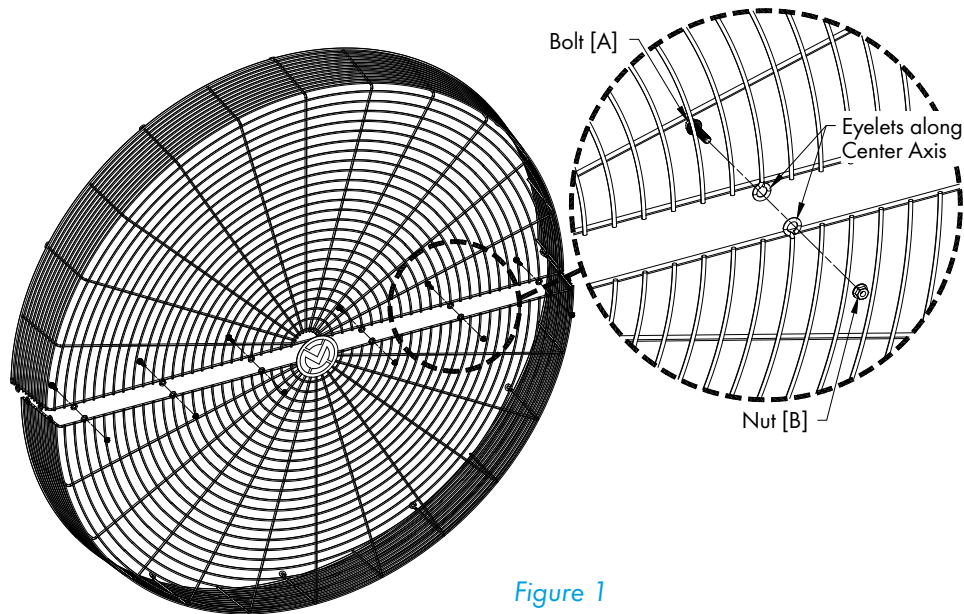


Figure 1

Step 2

Next secure the sides of the Outlet Basket Guards together using (2) Bolts [A] and Nuts [B] for each side. [See Figure 2.](#)

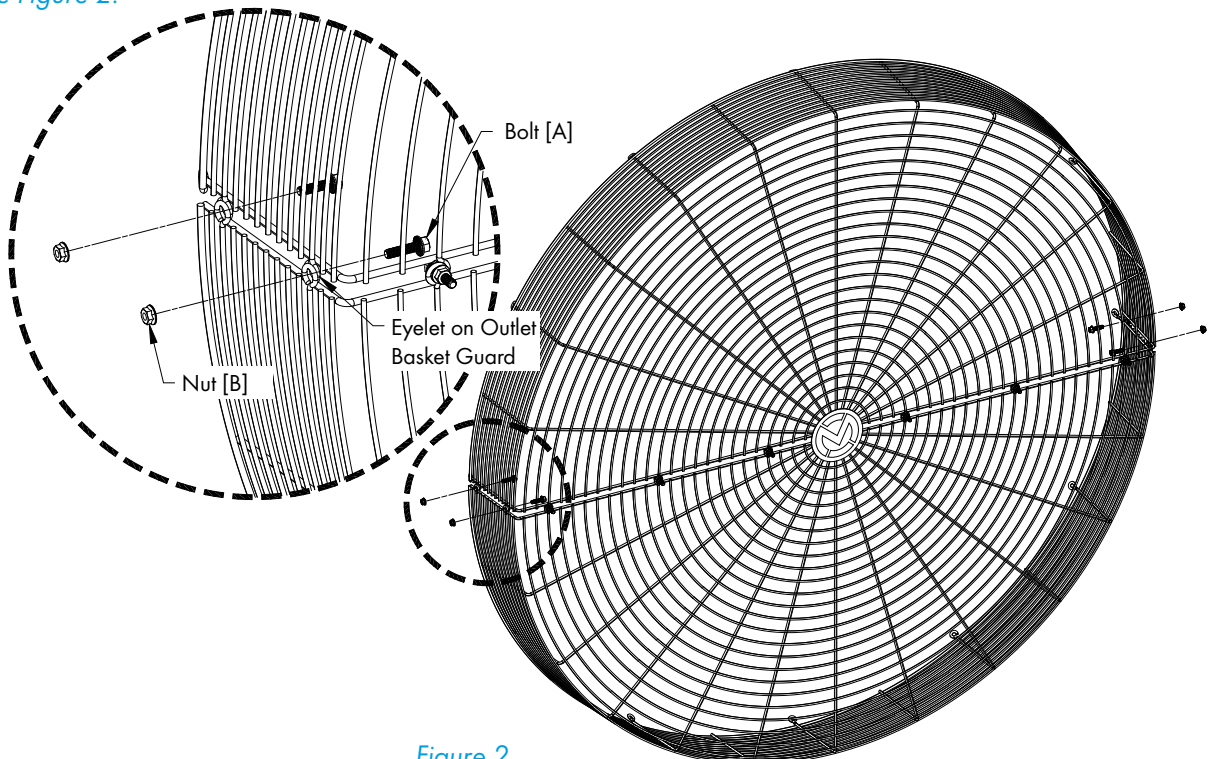


Figure 2

Note:

Before proceeding with Outlet Guard installation, make sure that the Reinforcing Ring that shipped with the fan has been installed on the orifice of the fan. If it has not, refer to QM1095 for the BD Atlas74 or QM1495 for the Munters Drive Atlas74 for instructions on how to install the Reinforcing Ring. Once the Ring has been installed, proceed to Step 3.

Step 3

Make sure the slots in the tabs of the Reinforcing Ring still line up with holes in the orifice of the fan. Align the eyelets of the Outlet Basket Guard with the holes in the outlet of the Atlas 74 orifice. The Eyelets will go on the inside of the orifice. *See Figure 3.*

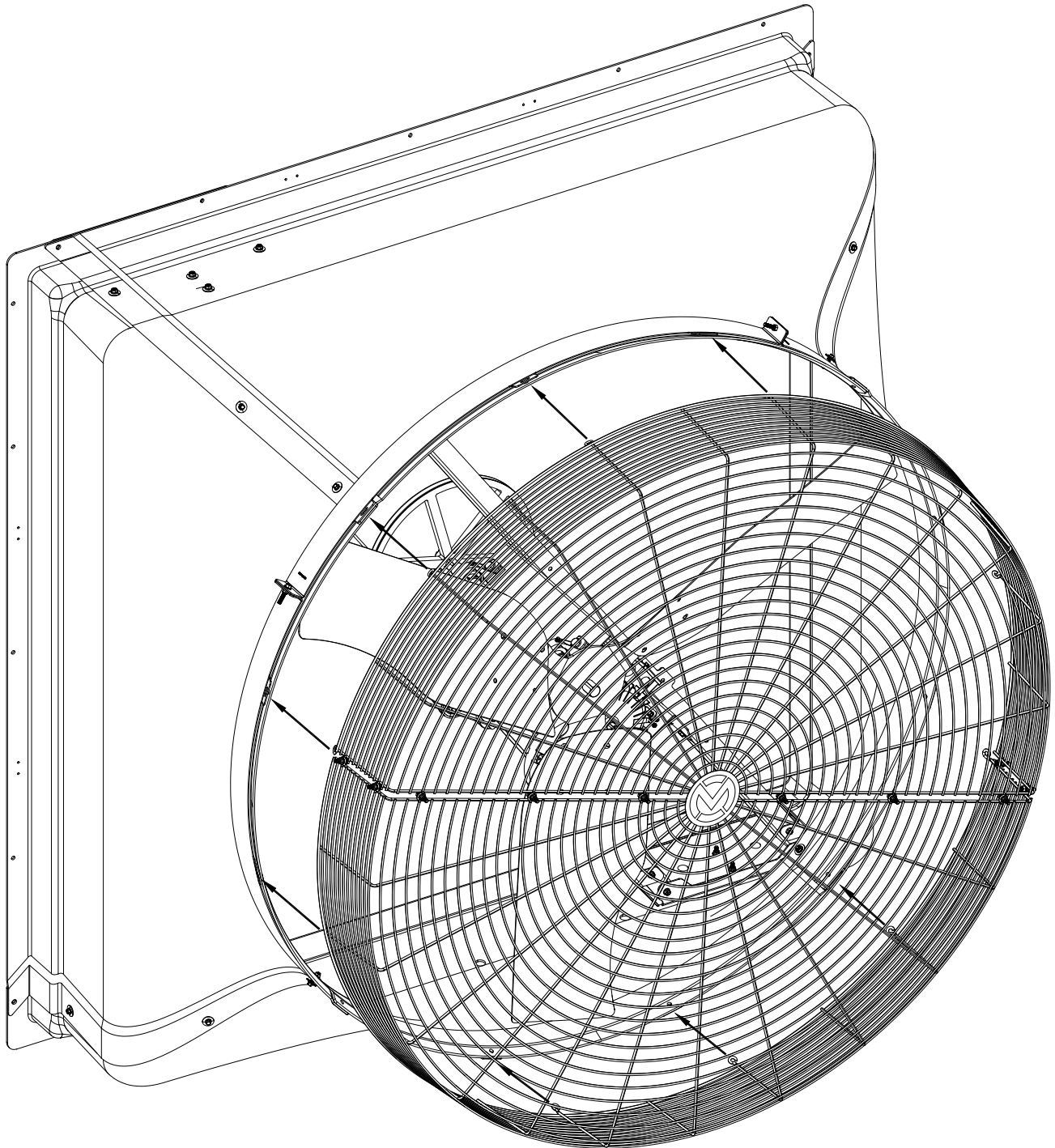


Figure 3

Step 4

Attach the Outlet Basket Guard to the orifice of the Atlas 74, using (12) Bolts [A], Washers [C] and Nuts [B]. The Bolt Head will be on the inside of the orifice and the bolt will go through the Washer, Eyelet, Hole in orifice and Slot in Ring Tab and be secured with Nut on the outside of the ring tab. See Figure 4. If the last Ring Bolt wasn't tightened before, torque it to 125 in-lbs [14 Nm].

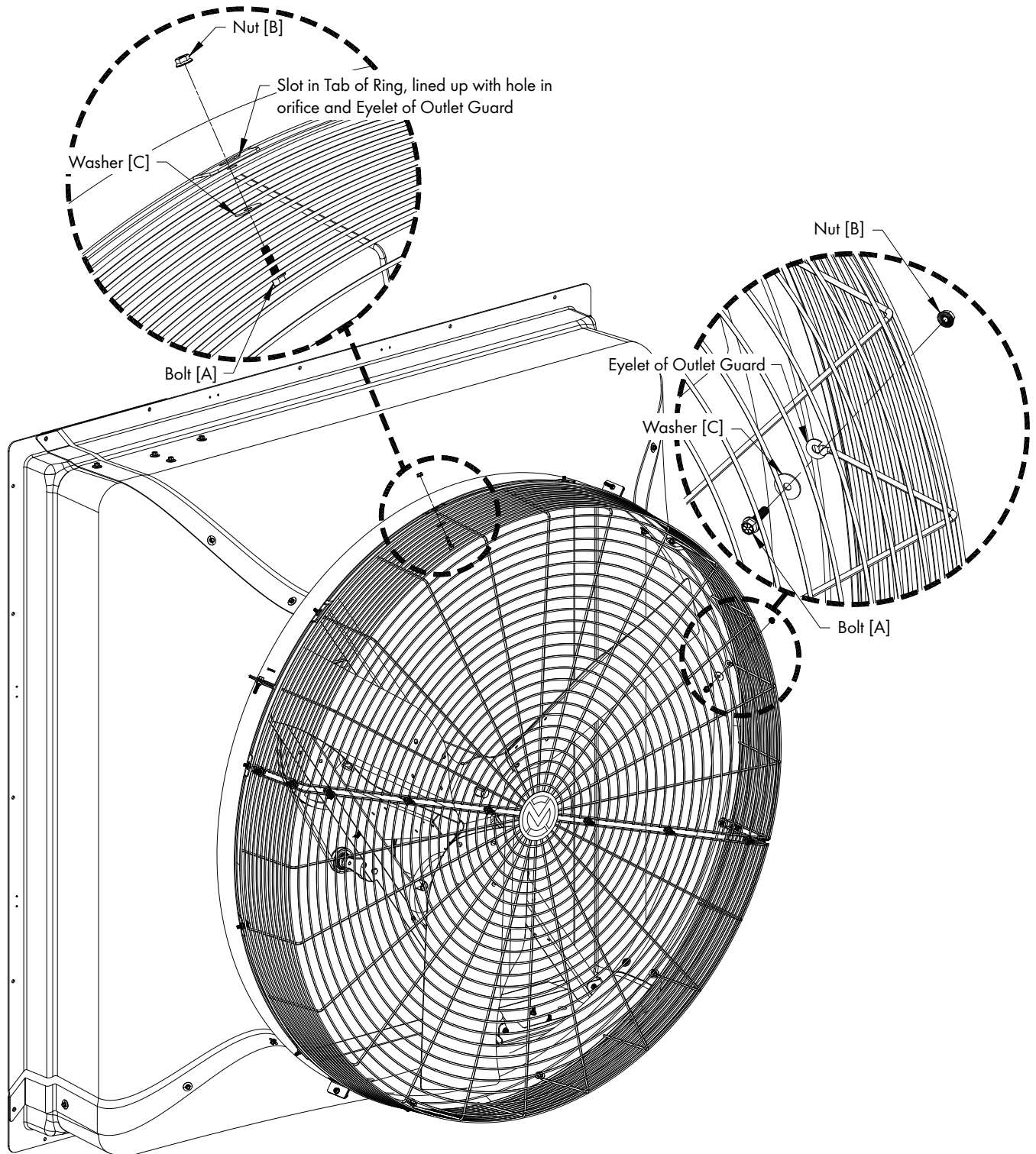


Figure 4

74WG Guard Kit is developed and produced by Munters Corporation, Lansing, Michigan U.S.A. 1-800-227-2376



Munters Europe AB, Isafjordsgatan 1, P.O. Box 1150, SE-164 26 Kista, Sweden. Phone +46 08 626 63 00, Fax +46 8 754 56 66.

Munters Corporation 2691 Ena Drive Lansing, MI 48917 U.S.A. Phone +1 800-227-2376, Fax +1 517-676-7078

www.munters.us

[Australia](#) Munters Pty Limited, Phone +61 2 6025 6422, [Brazil](#) Munters Brasil Industria e Comercio Ltda, Phone +55 41 3317 5050, [Canada/US](#) Munters Corporation Lansing, MI Phone +1 517 676 7070, [China](#) Munters Air Treatment Equipment (Beijing) Co. Ltd, Phone +86 10 80 481 121, [Denmark](#) Munters A/S, Phone +45 9862 3311, [India](#) Munters India, Phone +91 20 3052 2520, [Indonesia](#) Munters, Phone +62 818 739 235, [Italy](#) Munters Italy S.p.A., Chiusavecchia, Phone +39 0183 52 11, [Japan](#) Munters K.K., Phone +81 3 5970 0021, [Korea](#) Munters Korea Co. Ltd., Phone +82 2 761 8701, [Mexico](#) Munters Mexico, Phone +52 818 262 54 00, [Russia](#) Munters AB, Phone +7 812 448 5740, [Singapore](#) Munters Pte Ltd., Phone +65 744 6828, [South Africa and Sub-Sahara Countries](#) Munters (Pty) Ltd., Phone +27 11 997 2000, [Spain](#) Munters Spain S.A., Phone +34 91 640 09 02, [Sweden](#) Munters AB, Phone +46 8 626 63 00, [Thailand](#) Munters Co. Ltd., Phone +66 2 642 2670, [Turkey](#) Munters Form Endüstri Sistemleri A.Ş, Phone +90 322 231 1338, [USA](#) Munters Corporation Lansing, MI Phone +1 517 676 7070, [Vietnam](#) Munters Vietnam, Phone +84 8 3825 6838, [Export & Other countries](#) Munters Italy S.p.A., Chiusavecchia Phone +39 0183 52 11