



Munters Horizon ISI16

Horizon Series Intermittent Sidewall Inlet

Uniquely designed minimum ventilation inlet with integrated side deflectors and our innovative Airwave feature, that allows for precise control during extreme cold temperatures.

Features

- Designed for minimum ventilation needs
- Rack and pinion drive operated with low maintenance
- Recessed curved door with integrated side and top deflectors
- Airwave Guide aerodynamically designed for precise control in minimum ventilation
- Flexible hinge to prevent air leakage and freeze up
- R-value 8, foam-filled door with robust fiberglass exterior
- Heavy-duty seal on both sides and top
- Pair with our other Horizon products for a complete inlet package
- Uses many common components with Horizon Tunnel Door and Horizon Continuous Sidewall Inlet for easier maintenance



Integrated side deflectors to avoid air escaping and properly channels airflow

Sidewall inlets are often overlooked in building design. As buildings get more complex, it's critical to take into account the value an inlet provides including low volume airflow and directional placement.

The Horizon Intermittent Sidewall Inlet (ISI) is designed to provide precise airflow for minimum and transitional ventilation. The unique design includes side deflectors built into the inlet door to properly channel the air into the building. The curved door directs the incoming air along the ceiling, allowing the air to properly mix with barn air. During extremely cold weather our unique variable Airwave opening gives you the precision control needed to keep the birds comfortable. The inlet door is made with an inner polystyrene foam core and an exterior fiberglass reinforced plastic shell, ensuring long-lasting quality and best-in-the-industry R-value. With a flexible hinge, and oversized seals, this inlet will be tightly sealed in the coldest weather.

The premium rack and pinion drive system includes our LA actuator and a curved rack and pinion component to fit in close spaces and provide accurate opening and closing.

Horizon Intermittent Sidewall Inlet is the perfect inlet for your minimum ventilation needs.



Premium quality rack and pinion system
Uses a robust actuator to provide the most accurate opening and closing

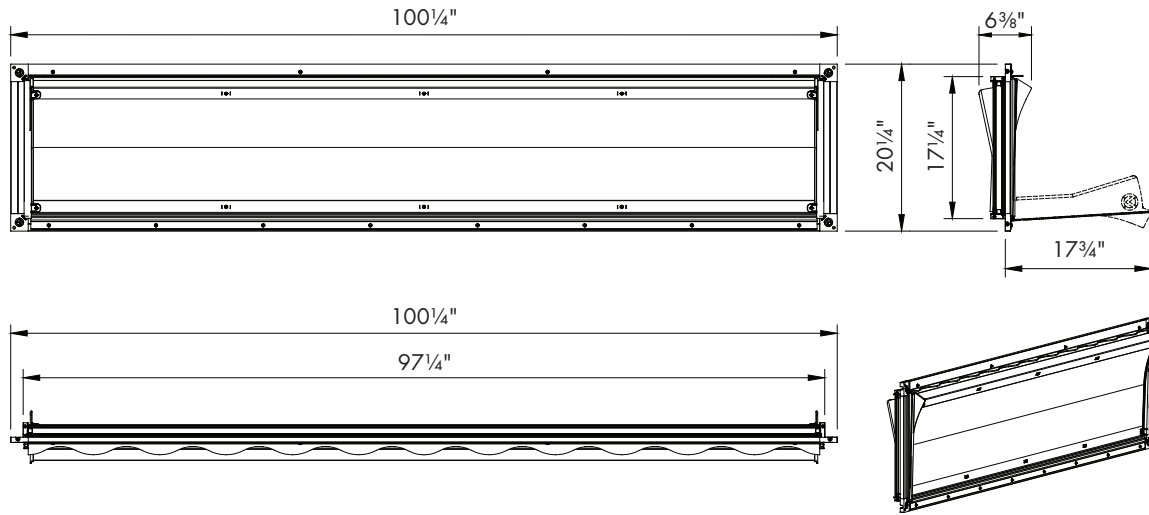


8-foot doors have a flexible hinge to prevent air leakage and freeze up

ISI16

Munters Horizon Series Intermittent Sidewall Inlet

Dimensions



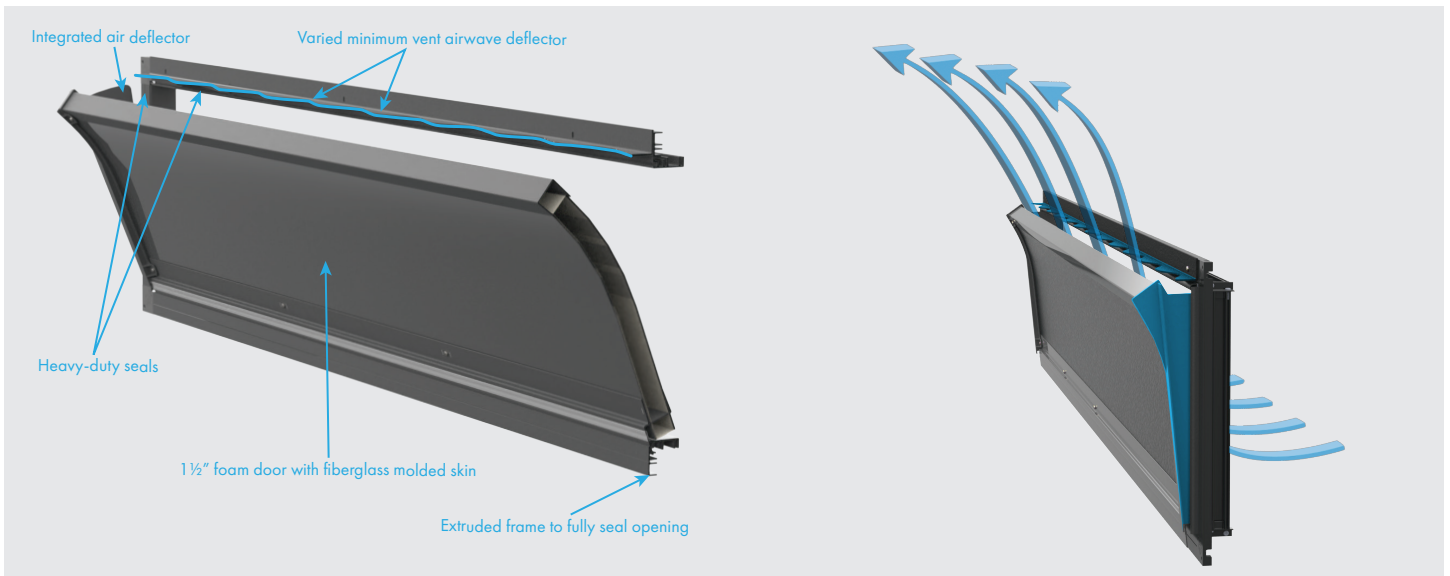
Technical specifications

Catalog Number	Inlet Size*	
	W x H	
	in	cm
ISI16	17 1/4 x 97 1/4	43.8 x 247

* Flange width 2 in or 5 cm on all sides

NOTE: Rough wall opening should be 0.5 inch or 1.3 cm bigger than the inlet size i.e.; rough wall opening for ISI16 should be 17 3/4 x 97 3/4 in or 45.1 x 248.3 cm

Airwave Precision Guidance System



Find your nearest Munters office at www.munters.com

Munters reserves the right to make alterations to specifications, quantities, etc., for production or other reasons, subsequent to publication. © Munters AB, 2023