



CSI24

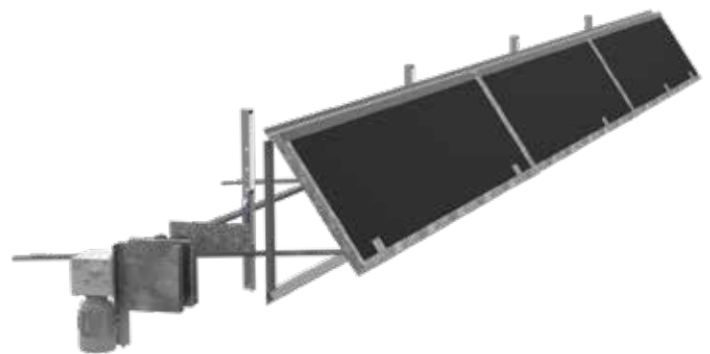
Horizon Series Continuous Sidewall Inlet

The Horizon Series Continuous Sidewall Inlet (CSI24) is a 24" sidewall inlet using many of the same great features of the Horizon Tunnel Door from Munters. Using a robust rack and pinion system and powerful drum-style actuator to ensure proper opening and closing in the harshest weather. The system allows the doors to open to a full 90 degrees open for maximum airflow in the warm months and oversized seals for full closure with no air leaks in the winter. The CSI24 will help you keep the climate in your building at the optimum level with trouble free operation and a robust design you can count on from Munters.

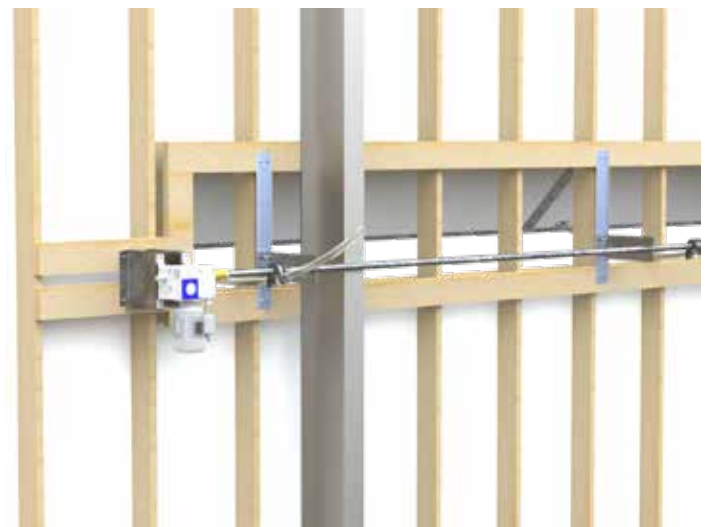
Features

- Uses many of the same durable Horizon components making it easy to build a custom system that works for your specific building
- Single row door pivots into the bird area allowing all mechanical components to be safely located in the plenum area for easy maintenance, out of the way of the birds.
- Unique gear drives provide precision opening and closing with 5 year unconditional warranty
- Door construction made of rigid fiberglass outer material with a foam core for maximum rigidity and industry leading insulating properties
- Heavy duty door seals, flexible hinge and 1.5" thick door ensures a tight seal when closed
- Fire rated door material available upon request

The door panels provides an R-8 insulation value. They are white in color on one side and black on the opposite side. There is no maximum length for door configuration. The CSI24 is capable of operating on a single actuator up to 150' in length or with multiple actuators for an unlimited length. The doors utilize the same weather-strip seals as the Horizon Series Tunnel inlets. The gear drive can be operated with or with out a potentiometer or encoder for closed loop feedback. The doors are able to be controlled with standard building controllers. The CSI24 comes with all mounting accessories out of the box to ensure your system operates at an optimum level.



CSI24

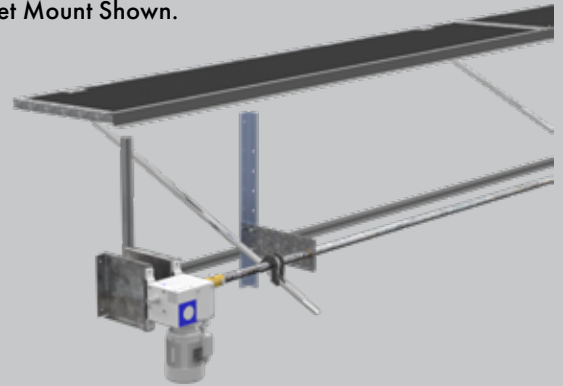
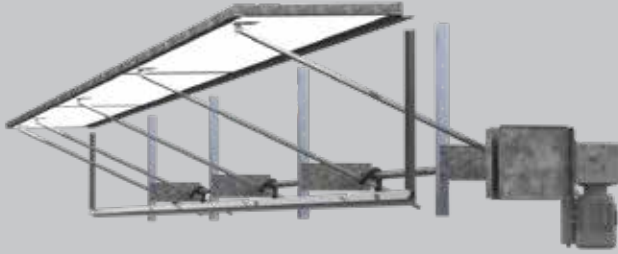


Combine with our LA Actuator

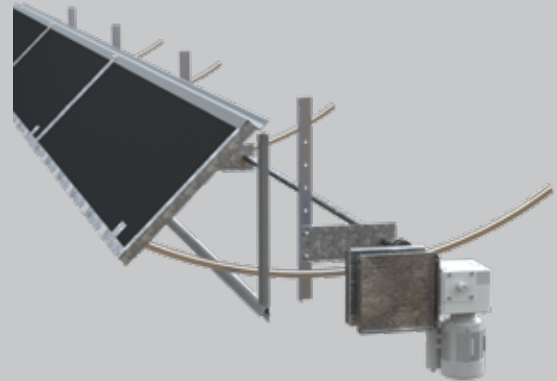
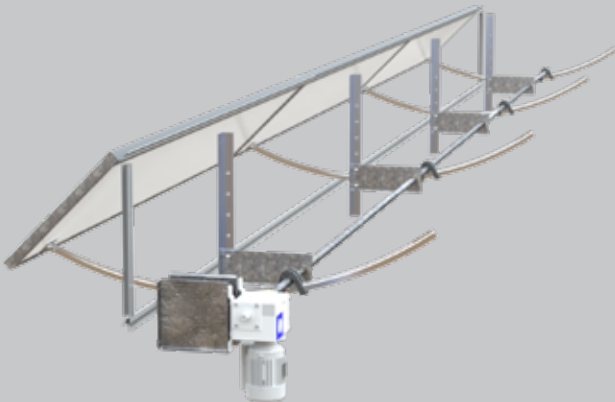
CSI24

Horizon Series Continuous Sidewall Inlet

Door opens full 90 degrees open for maximum air flow. Straight Rack, Offset Mount Shown.



Curved racks available for applications where space must be conserved. Curved Rack, Offset Mount Shown.



Flush mount systems (shown here) are available when no framing, posts or obstacles are in the way of continuous run of inlets. Offset mount systems are available to extend the drive pipes around framing posts.

