



CX74

Air circulation fans

The next evolution in our CX Series circulation fans, the CX74. Big comfort for a happy, healthy herd.

Features

- Designed and proudly built in the USA. Components locally sourced from vendors in the USA
- Propeller design maximizes airflow and centerline velocity
- Robust 182-frame-premium-motor to ensure top performance and longevity
- Rigid steel construction to ensure a long lifespan
- Chain or pipe mount hanging kits available for multiple ways to mount the fan
- Durable fiberglass housing gives you long life and an oversized aerodynamic air intake to provide the highest airflow
- Guard kit available separately

New from Munters, CX74, a circulation fan designed, engineered and built in the USA for the demanding conditions of a modern dairy operation.

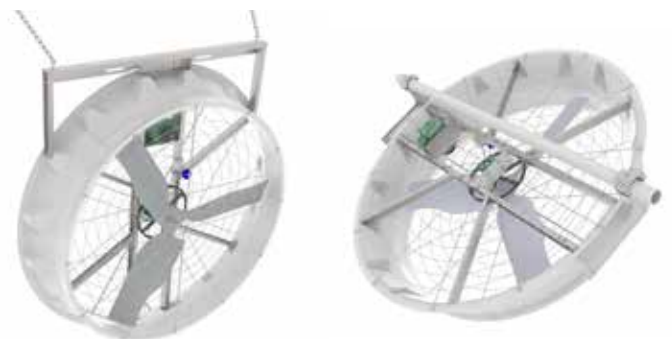
We believe longevity and value are two of the most important factors when purchasing your ventilation systems. Not only does Munters offers you the best performing fans on the market, we also have years of experience when it comes to the entire process from ventilation design to post-installation follow-up. Munters will be there throughout the process to ensure your operation is running at peak performance.

The advanced design of the CX74 housing produces a large volume of air and a higher centerline velocity, providing you with more control over the air movement in your barn. This allows you to direct the air to where you need it to reduce heat stress and bedding moisture for a happy healthy herd.

CX74 is designed to provide the best airflow and no other fan of this size performs better, meaning fewer fans to install and maintain and a lower total cost of ownership.



Fiberglass housing with gelcoat provides protection from UV and a lifetime of use.



Optional top mount or pipe mount available to suit your barn design

CX74

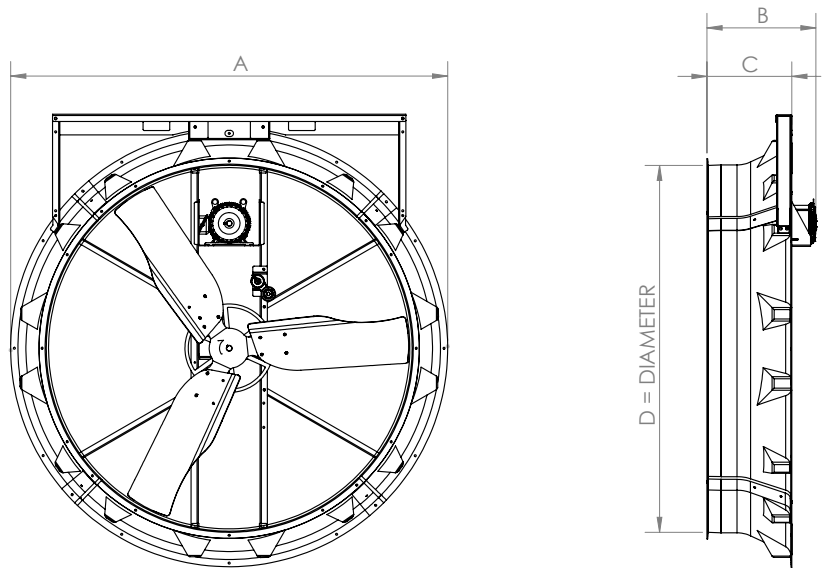
Air circulation fans

Technical specifications

Dimensions

Fan Diameter	74"
A	90.13"
B	22.5"
C	17.5"
D (OD)	75.69"

Measurement diagram for reference only.

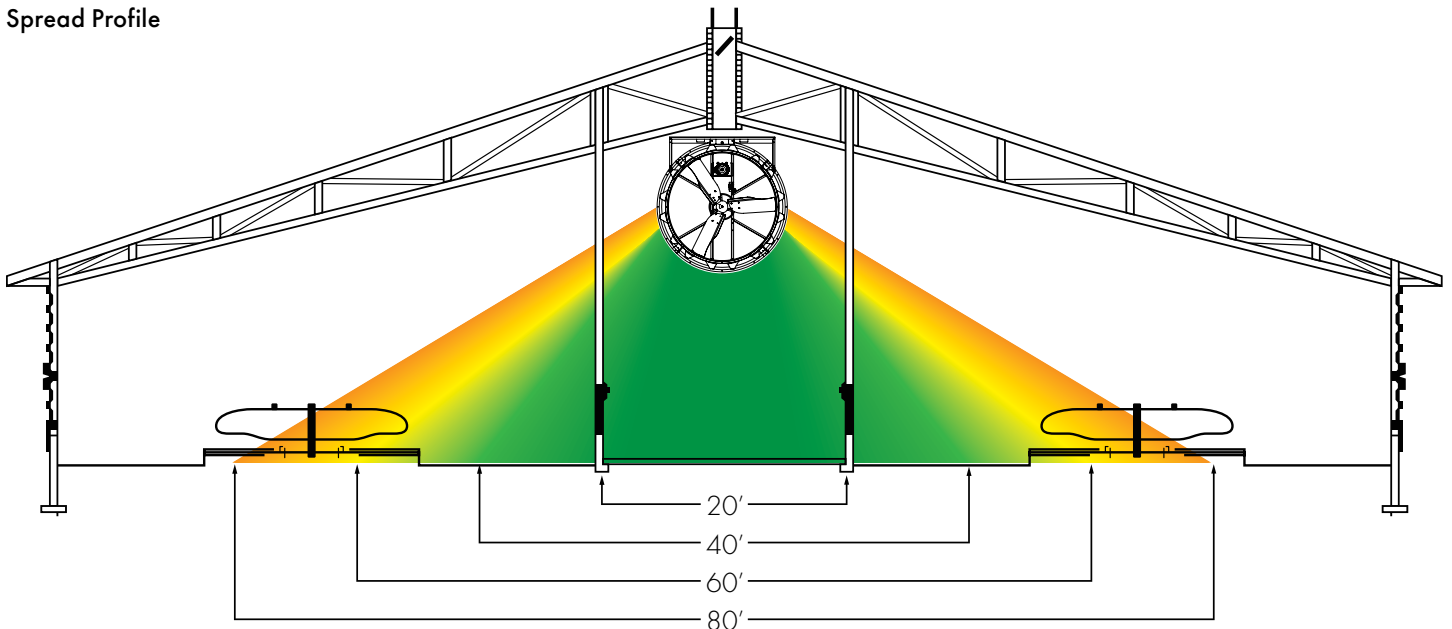


Performance[°]

		CX74
Phase		3
Horse Power	HP	3
Voltage	V	230/460
Volts (as tested)	V	460.3
Amps	A	3.81
Kilowatts	kW	2.477
Airflow	thrust cfm	58,320
Efficacy	thrust cfm/watt	23.6
Thrust	lbf	73.75
Thrust Efficiency Ratio	lbf/kW	29.77
5d Centerline Velocity [°]	ftpm	1195

[°]Tested in accordance with AMCA Standard 210 & 230

Spread Profile



Find your nearest Munters office at www.munters.com

Munters reserves the right to make alterations to specifications, quantities, etc., for production or other reasons, subsequent to publication. © Munters AB, 2022