



Munters Ridge Fan & Housing

Munters hoods and transitions allow you to customize your fans for special applications and improved performance. The fiberglass housing is designed to direct air out of the ridge. The fiberglass weatherhood is ideal for exhaust fans or shutters when wind conditions reduce their effectiveness. Vertically-mounted fan within the transition ensures better performance and a prolonged lifespan.



Corrosion resistant Fiberglass Pit Transition

Fiberglass Ridge Fan & Housing

- One-piece fiberglass construction
- Totally corrosion resistant for protection from harsh environment
- Aluminum rails for easy shutter installation
- Easy mounting for 14" - 24" exhaust fans

Fiberglass Weatherhoods

- Fiberglass construction with stainless steel lag bolts
- Easy installation with minimal maintenance
- Available in 4 sizes to protect openings up to 60" square

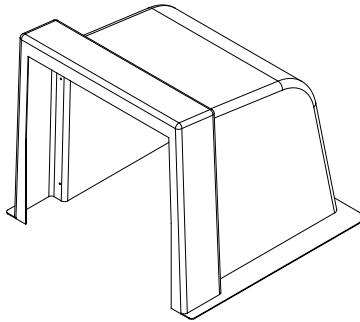


Ridge Fans & Fiberglass Weatherhood

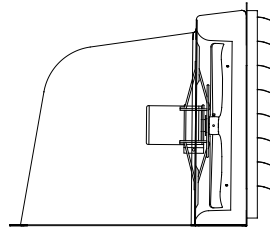
Munters Ridge Fan & Housing

Fiberglass Pit Transition and Adapter

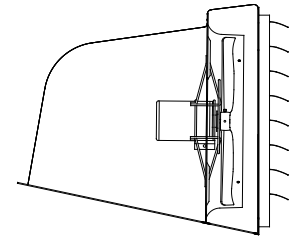
FPT, Pit Transition



Flat Mount

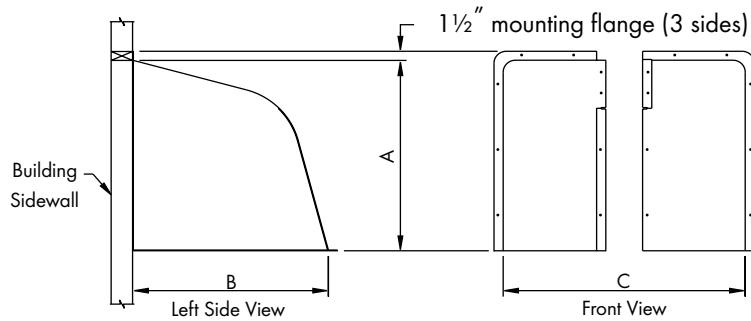


12 degree angle



(Available in 16", 18" and 24")

Fiberglass Weatherhood



Catalog No.	A	B	C	Framing Size (required on 3 sides)
FWH18	26"	26"	24½"	25" W x 26" H
FWH24	32"	32"	30½"	31" W x 32" H
FWH36	48"	48"	46½"	47" W x 48" H
FWH48	60"	60"	60½"	61" W x 60" H