

# Munters EMS 50-36-30

## Air circulation fans

The EMS series is one of the first air circulators families designed and produced by Munters, widely used in poultry (broiler, layer) and dairy ventilation systems.

### Benefits

- Superior durability with Munters Protect coating
- Easy installation and maintenance
- High airflow capacity
- Reduced energy consumption, saving up to 50% of electricity with the EMS 50 E-line version
- EMS 50 features high-efficiency motor, in accordance with EU regulations

EMS 50-36-30 are the ideal air circulators whenever high airflow capacity is required, thanks to their unique propeller design that guarantees full efficiency and reliability.

The housing, conveyor and 6-blade propeller made in Munters Protect coated steel ensure extra strength and resistance against corrosion. The die-cast aluminum central hub and v-belt pulley enhance durability and reliability further.

The low-speed, belt-drive system helps reduce energy consumption and noise levels, providing a comfortable working environment for animals and operators.

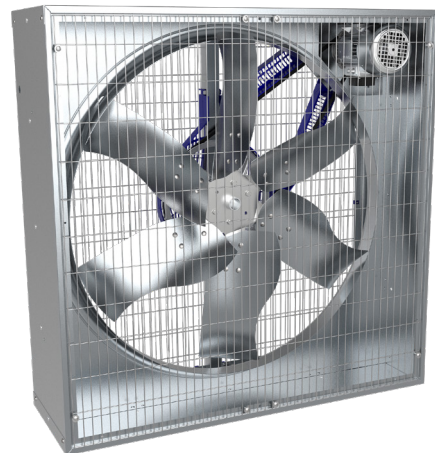
The EMS 50 E-line version reduces power consumption by up to 50% compared to the same fan with AC motor, while enabling speed regulation.

EMS air circulators feature threaded bushes on the side panels that allow the farmer to easily hang them from the ceiling, and a welded wire mesh divided into two sections for effortless maintenance.

As the market leader in ventilation solutions for more than 60 years, Munters guarantees quality and is ISO 9001 certified.



EMS50 E-line

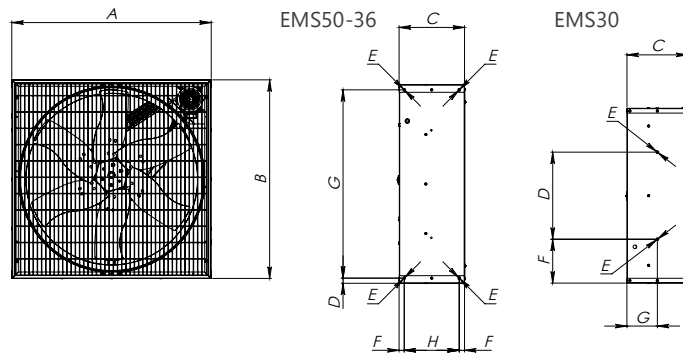


EMS36

# Munters EMS 50-36-30

## Air circulation fans

### Dimensions



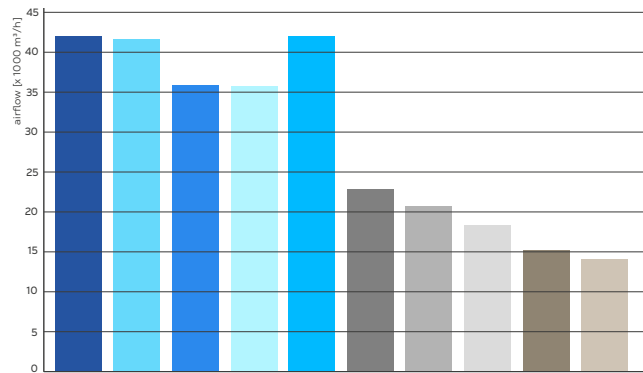
	A	B	C	D	E	F	G	H
EMS50	1380 mm	1380 mm	353 mm	28 mm	M8	27 mm	1315 mm	300 mm
EMS36	1090 mm	1090 mm	358 mm	28 mm	M8	29 mm	1027 mm	300 mm
EMS30	950 mm	950 mm	331 mm	475 mm	M8	239 mm	166 mm	-

### Technical specifications

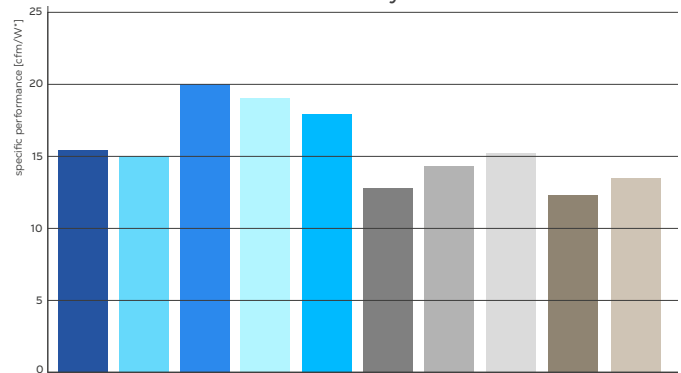
		EMS50			EMS36			EMS30	
		E-line							
Nominal power	hp	1.0	1.5	2.5	0.5	0.75	1.0	0.5	0.75
Propeller diameter	mm [inch]	1270 [50]			915 [36]			770 [30]	
Number of blades/material		6/Munters Protect			6/Munters Protect			6/Munters Protect	
Motor/drive type		AC/Belt		EC/Belt	AC/Belt			AC/Belt	
Weight of fully equipped fan	kg	66	68	69	53	54	56	39	41
Max power consumption/max current <sup>1</sup>	W/A	1150/2.1	1830/3.3	1600/3.2	570/1.1	870/1.6	1150/2.1	570/1.1	870/1.6
Max operating temperature	°C [°F]	50 [122]			50 [122]			50 [122]	
Motor insulation grade/protective class		F/IP55		H/IP66	F/IP55			F/IP55	
Noise level <sup>2</sup>	Db(a)	67.3		70.2	61.7	63.6	68.2	63.1	66.7

<sup>1</sup>50 Hz 400 V specification, 60 Hz available upon request, <sup>2</sup>Noise measure made according to ISO 3744

#### Airflow



#### Efficiency



Airflow and efficiency tested in the Munters test chamber in accordance with ANSI/AMCA 210/15 Standard, certified by BESS Lab. \*1 cfm/W = 1.7 (m³/h)/W

### Load capacity

	EMS50		EMS36	EMS30
	Unassembled	Assembled	Assembled	Assembled
40' HC container	310 270 (E-line)	65	124	144
13.6 m truck	-	74	144	168

Find your nearest Munters office at [www.munters.com](http://www.munters.com)

Munters reserves the right to make alterations to specifications, quantities, etc., for production or other reasons, subsequent to publication. © Munters AB, 2024