

Munters »ZEW« Profi 1300/2100/2900

Air inlets

Professional solution in 3 sizes and savings on energy costs. With the new »ZEW« Professional fresh air inlet, the minimum fresh air rates can be orientated entirely towards the needs of the animals.

Advantages

- Significantly reduces the formation of ice even at extreme external temperatures
- Reduces energy costs massively by forgoing forced ventilation
- Spreads the temperature uniformly inside the stable, as the minimum air rate can be geared solely to the requirements of the animals
- Transport and installation safeguard for the shutters integrated into the air conduction sheet

Especially at outside temperatures below -10°C/ 14°F ice can form at the air intake of the inlet. In order to maintain the functionality despite this, the inlet shutter is moved via the control (so-called forced ventilation) for example. However, this results in very cold fresh air from outside flowing into the stable, exceeding the air requirements of the animals.

This is precisely where the »ZEW« Professional fresh air inlet comes into play. Through its unique geometry, the coming together of cold fresh air and moist warm stable air is displaced to areas in which no negative effects on functionality will occur.

The wall air inlets in this range comprise insulated polyurethane rigid foam. Cleaning is easy due to the smooth, hard surfaces.

In the extreme climatic regions of Russia as well as during „hard winters“ in Germany, frozen fresh air inlets present major problems for livestock owners.

As such it has been exposed to extremes including outside temperatures of -33°C/ -27.4°F in a broiler fattening stable in the Urals. The results confirmed almost no ice formation. In advance of this, the »ZEW« Polar was subjected to a range of tests under realistic conditions with temperature differences of 70K/ 158°F in our in-house climate chamber. The outstanding characteristics were also confirmed here. Freezing up is significantly reduced without having any negative effects on the air flows in the stable.

A comprehensive accessory range including protective bird grid, wind deflection hood, electric motor and special pulley incl. rope locking device complete the wall air inlet.



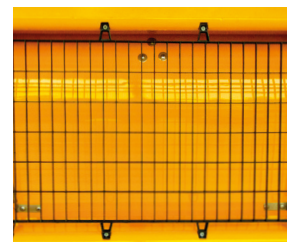
»ZEW« Profi a.c.



»ZEW« Profi a.o. with Bird protective grid



Air conduction sheet individually adjustable



Bird protection grid



Pull rod wall guide

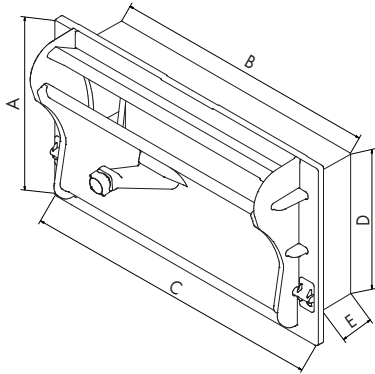


ABS wind deflection hoods

Munters »ZEW« Profi 1300/2100/2900

Air inlets

Dimensions



	A	B	C	D	E
»ZEW« Professional 1300	370 mm	555 mm	635 mm	295 mm	104 mm
»ZEW« Professional 2100	470 mm	655 mm	735 mm	395 mm	104 mm
»ZEW« Professional 2900	555 mm	725 mm	805 mm	480 mm	105 mm

Technical Specifications

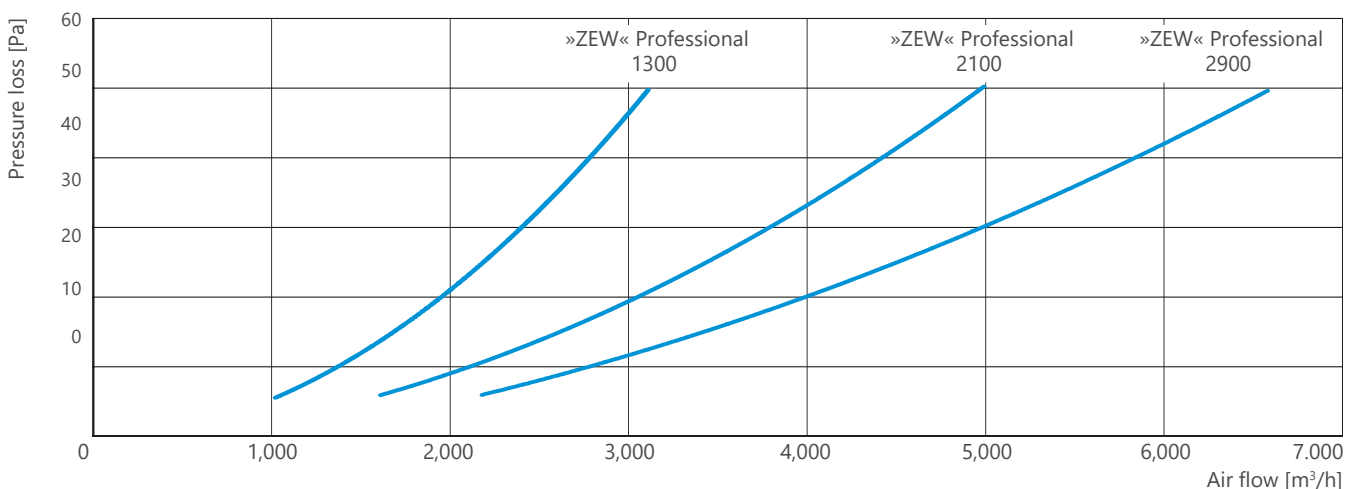
		»ZEW« Professional 1300		»ZEW« Professional 2100		»ZEW« Professional 2900	
		a.o.	a.c.	a.o.	a.c.	a.o.	a.c.
Air flow ¹ only wall air inlet	[m ³ /h]	1,900		3,000		4,000	
Air flow ¹ wall air inlet + wind deflection hood	[m ³ /h]	1,800		2,700		3,600	
Air flow ¹ wall air inlet + wind deflection hood + light filter	[m ³ /h]	1,800		2,800		3,700	
Stroke way pulley	[N]	35	65	35	65	25	85
Stroke way wall guide	[N]	35	55	35	55	25	60
Traction pulley	[mm]	390	230	535	240	635	240
Traction wall guide	[mm]	390	460	535	480	635	480
Outer dimensions without flange	[W x H x D/mm]	555 x 295 x 104		655 x 395 x 104		725 x 482 x 105	
Inner dimensions	[W x D/mm]	500 x 428		600 x 350		667 x 428	
Outer dimensions wind deflection hood	[W x H x D/mm]	765 x 682 x 372		877 x 796 x 512		958 x 893 x 624	

¹ Air flow at 20 Pa; a.o. = automatic opening; a.c. = automatic closing

Load capacity

	»ZEW« Professional 1300	»ZEW« Professional 2100	»ZEW« Professional 2900
Quantity	60 inlets	24 inlets	32 inlets
Pallet size [W x L x H]	0.66 x 2.32 x approx. 2.2 m	0.5 x 2.25 x approx. 2.0 m	0.83 x 2.3 x approx. 2.0 m

Air capacity »ZEW« Professional with protective bird grid



Find your nearest Munters office at www.munters.com

Munters reserves the right to make alterations to specifications, quantities, etc., for production or other reasons, subsequent to publication. © Munters AB, 2024