



Munters EC Series

Air extraction fans

The EC Series, which includes EC 50-52, is one of the most renowned cone fan families developed and produced by Munters, delivering exceptional performance in any livestock farming (broiler, layer, swine, dairy) and greenhouse application.

Features

- Superior durability with Munters Protect coating, 3 years warranty against corrosion
- Fast and easy installation
- High airflow capacity
- Energy efficient solution
- Suited for tunnel ventilation, especially in large structures

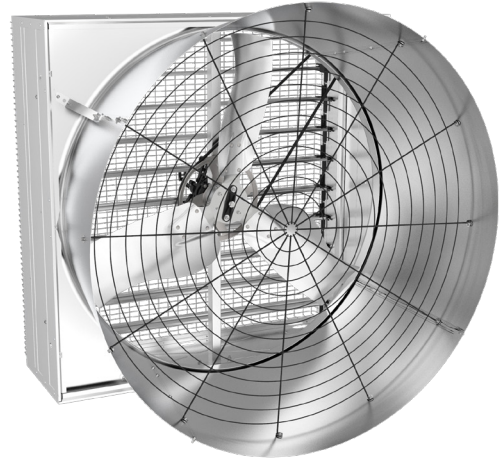
Munters EC 50-52 are the ideal exhaust cone fans to install in large livestock housings and greenhouses in order to fulfill the demand for more power and reliability. Thanks to their peculiar cone and propeller design, Munters EC fans ensure high airflow capacity and low energy consumption.

Munters EC Series features the housing, cone, conveyor and shutters made in Munters Protect coated steel for extra strength and resistance against corrosion. Central hub and V-belt pulley are made of die-cast aluminum.

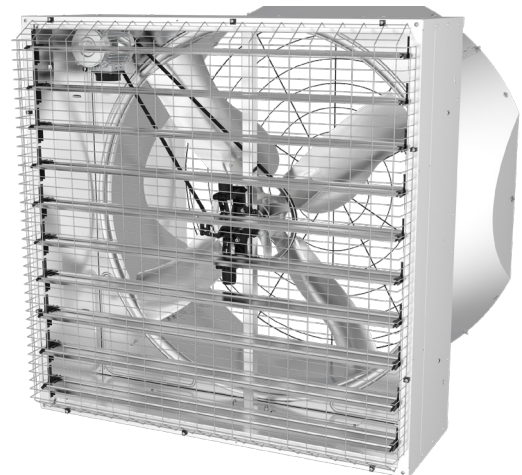
The patented centrifugal system provides an energy efficient solution and powerful springs keep shutters tightly closed when the fan is not turned on, avoiding air leakage and blocking light.

The cone consists of 4 separate and detachable sections that can be assembled easily and quickly on site, which results in a significant reduction of transportation volume and cost. Moreover, EC 52 cone features a special design to optimize the installation space, particularly when multiple fans are installed on the same wall.

As market leader in ventilation solutions for more than 60 years, Munters guarantees quality and is ISO 9001 certified.



EC50 front view

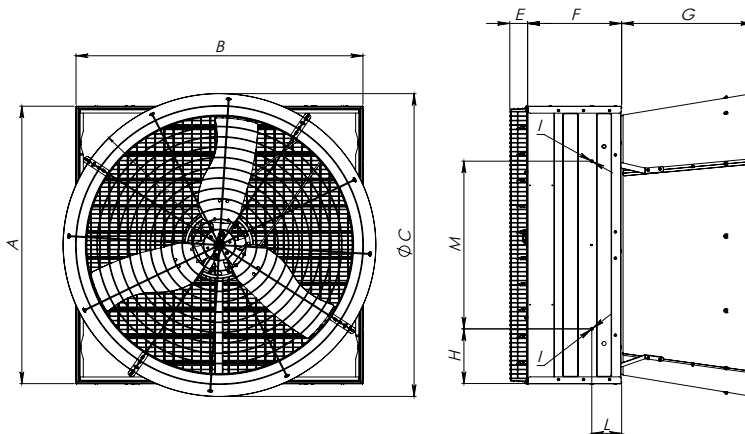


EC52 rear view

Munters EC Series

EC 50

Dimensions

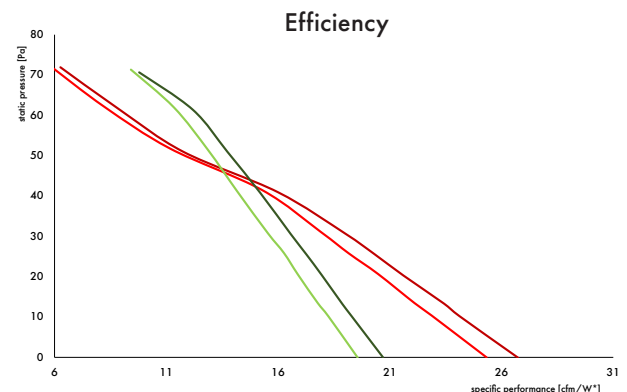
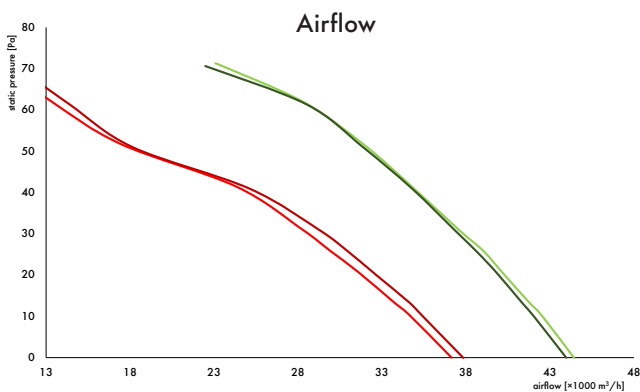


EC50	
A	1375 mm
B	1375 mm
C	1500 mm
D	-
E	90 mm
F	450 mm
G	630 mm
H	275 mm
I	M8
L	143 mm
M	830 mm

Technical specifications

EC50			
Nominal power	Hp	1.0	1.5
Propeller diameter	mm [inch]	1270 [50]	
Number of blades/material		3/Munters Protect	
Number of shutter blades		10	
Transmission		Belt drive	
Weight of fully equipped fan	kg	106	108
Max power consumption/max current ¹	W/A	1150/2.1	1810/3.25
Max operating temperature	°C [°F]	50 [122]	
Max operating pressure	Pa	50	
Motor insulation grade/protective class		F/IP55	
Noise level ²	Db(a)	69.7	75.2

¹50 Hz 400 V specification, 60 Hz available upon request, ²Noise measure made according to ISO 3744



Motor 1.0 Hp		Motor 1.5 Hp	
EC50	IE3	IE3	IE1

Airflow and efficiency data measured at standard conditions (20°; 1013 hPa). *1 cfm/W = 1.7 m³/hW

Load capacity

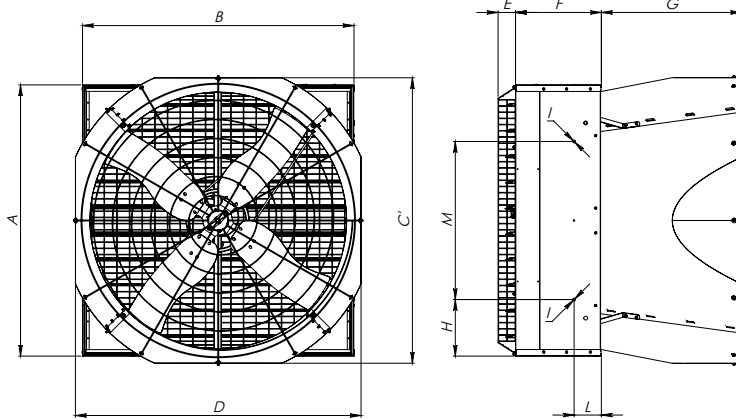
	EC50	
	Unassembled	Assembled
20' Container	100	15
40' Container	-	39
40' HC Container	220	39
Truck	245	44

Pyramidal mesh for installation below 2.7 m available upon request

Munters EC Series

EC 52

Dimensions

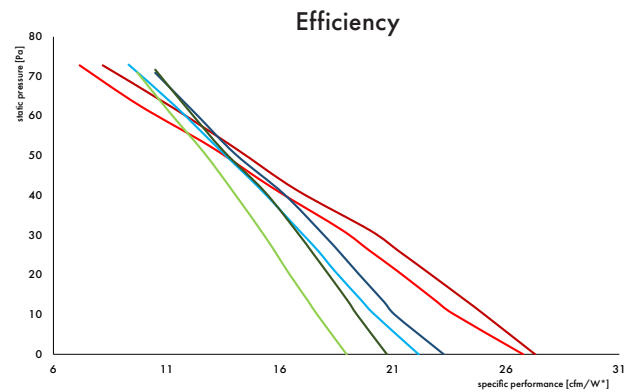
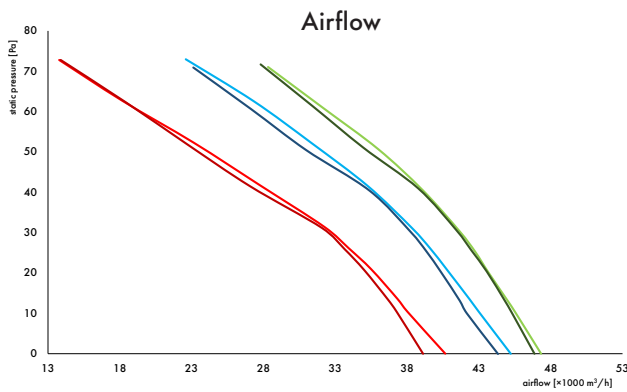


EC52	
A	1425 mm
B	1425 mm
C'	1500 mm
D	1500 mm
E	95 mm
F	450 mm
G	740 mm
H	298 mm
I	M8
L	143 mm
M	830 mm

Technical specifications

		EC52		
Nominal power	Hp	1.0	1.5	2.0
Propeller diameter	mm [inch]	1335 [52]		
Number of blades/material		4/Munters Protect		
Number of shutter blades		10		
Transmission		Belt drive		
Weight of fully equipped fan	kg	108	111	112
Max power consumption/max current ¹	W/A	1180/2.2	1700/3.2	1800/3.4
Max operating temperature	°C [°F]	50 [122]		
Max operating pressure	Pa	50		
Motor insulation grade/protective class		F/IP55		
Noise level ²	Db(a)	67.2	69.8	71.1

¹50 Hz 400 V specification, 60 Hz available upon request, ²Noise measure made according to ISO 3744



Motor 1.0 Hp		Motor 1.5 Hp		Motor 2.0 Hp	
IE3	IE1	IE3	IE1	IE3	IE1
EC52					

Airflow and efficiency data measured at standard conditions (20°; 1013 hPa). *1 cfm/W = 1.7 m³/hW

Load capacity

EC52		
	Unassembled	Assembled
20' Container	100	15
40' Container	-	39
40' HC Container	200	39
Truck	237	41

Pyramidal mesh for installation below 2.7 m available upon request

Find your nearest Munters office at www.munters.com

Munters reserves the right to make alterations to specifications, quantities, etc., for production or other reasons, subsequent to publication. © Munters AB, 2021