

Munters EM 50

Air extraction fans

EM 50 is the most well-known box fan designed and produced by Munters. It has delivered excellent performance across livestock farming (broiler, layer, swine, dairy) and greenhouse applications since the 1980s.

Benefits

- Superior durability with Munters Protect coating
- Reliable, proven in the market for 40 years
- Light and air draft reduction, when shutter is closed
- Energy efficient solution, the E-line version saves up to 50% on electricity costs
- Suited for tunnel ventilation

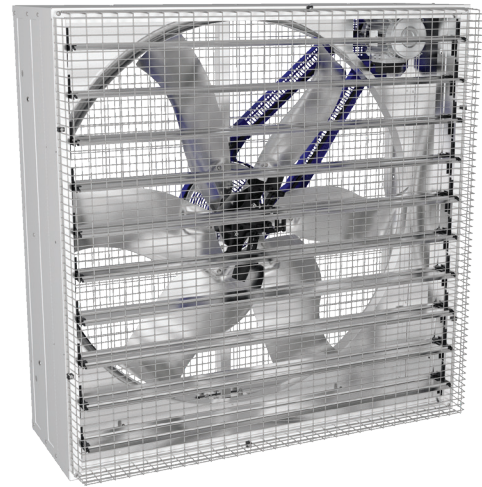
Munters EM 50 is the ideal exhaust fan whenever extra high airflow capacity is required, even in high static pressure environments, thanks to its unique propeller shape that ensures full efficiency and reliability.

The extraction fan features extra strength against corrosion with housing, conveyor and shutter in Munters Protect coated steel. For highly corrosive applications, the EMX50 version offers elements in stainless steel in addition to Munters Protect.

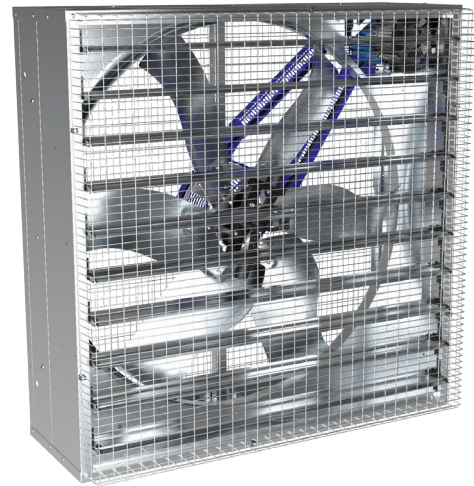
The belt drive system enables low speed, to reduce energy consumption and noise, as well as to ensure a comfortable environment for animals and operators. The E-line version reduces power consumption by up to 50% compared to the same fan with AC motor, while enabling speed regulation.

The patented centrifugal system provides an energy efficient solution and powerful springs keep shutters tightly closed when the fan is not turned on, avoiding air leakage and blocking light.

As the market leader in ventilation solutions for more than 60 years, Munters guarantees quality and is ISO 9001 certified.



EM50 front view

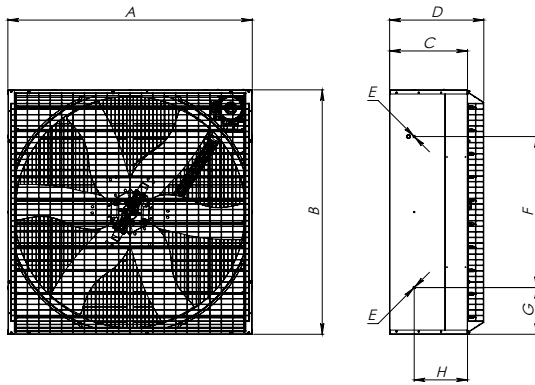


EM50 E-line

Munters EM 50

AC motor

Dimensions

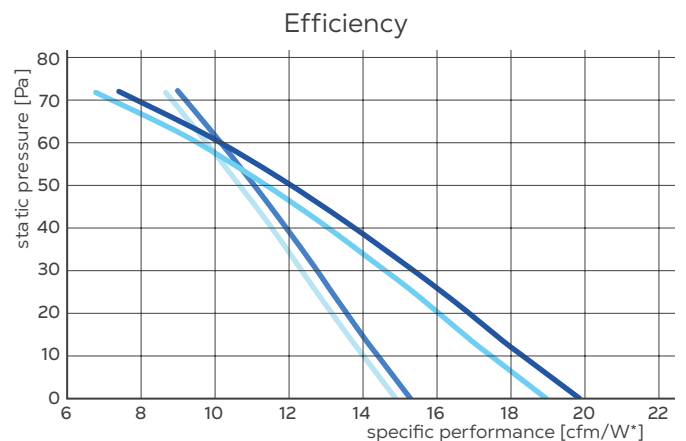
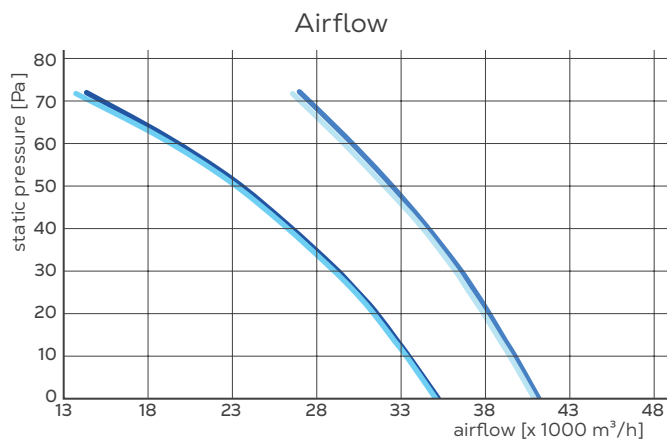


	EM50
A	1380 mm
B	1380 mm
C	450 mm
D	540 mm
E	M8
F	830 mm
G	275 mm
H	308 mm

Technical specifications

		Belt 1.0	Belt 1.5
Nominal power	hp	1.0	1.5
Propeller diameter	mm [inch]	1270 [50]	
Number of blades/material		6/Munters Protect	
Number of shutter blades		10	
Motor/drive type		AC/Belt	
Weight of fully equipped fan	kg	84	86
Max power consumption/max current ¹	W/A	1150/2.1	1810/3.3
Max operating temperature	°C [°F]	50 [122]	
Max operating pressure	Pa	50	
Motor insulation grade/protective class		F/IP55	
Noise level ²	Db(a)	67.6	70.4

¹50 Hz 400 V specification, 60 Hz available upon request, ²Noise measure made according to ISO 3744



	Belt 1.0		Belt 1.5	
	IE3 1.0 hp	IE1 1.0 hp	IE3 1.5 hp	IE1 1.5 hp

Airflow and efficiency tested in the Munters test chamber in accordance with ANSI/AMCA 210/15 Standard, certified by BESS Lab. *1 cfm/W = 1.7 (m³/h)/W

Load capacity

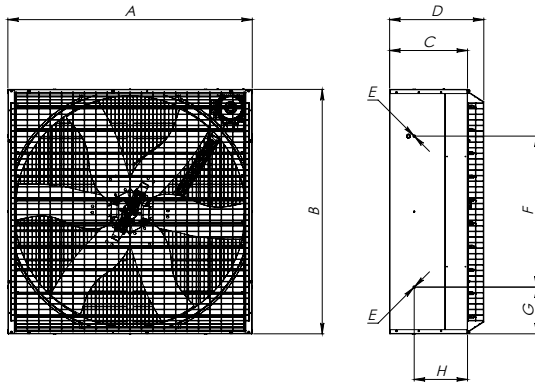
	Belt 1.0/1.5	
	Unassembled	Assembled
40' HC container	300	57
13.6 m truck	328	65

Pyramidal mesh for installation below 2.7 m available upon request.

Munters EM 50

E-line

Dimensions

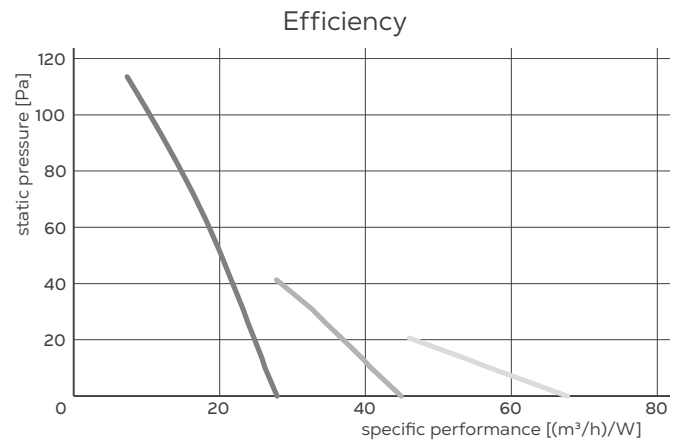
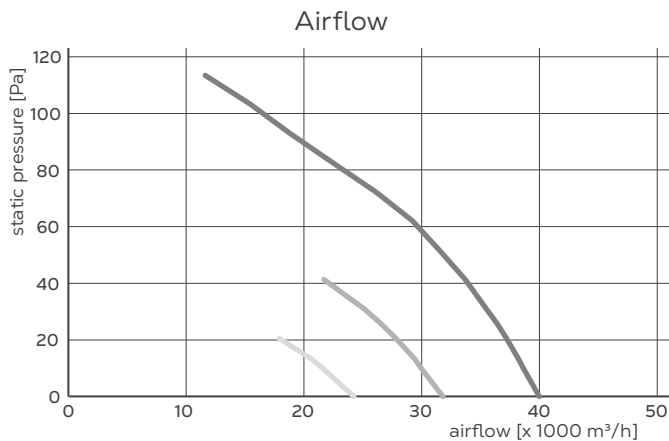


	EM50
A	1380 mm
B	1380 mm
C	450 mm
D	540 mm
E	M8
F	830 mm
G	275 mm
H	308 mm

Technical specifications

		E-line
Nominal power	hp	2.5
Propeller diameter	mm [inch]	1270 [50]
Number of blades/material		6/Munters Protect
Number of shutter blades		10
Motor/drive type		EC/Belt
Weight of fully equipped fan	kg	87
Max power consumption/max current ¹	W/A	1600/3.2
Max operating temperature	°C [°F]	50 [122]
Max operating pressure	Pa	50
Motor insulation grade/protective class		H/IP66
Noise level ²	Db(a)	70.3

¹50 Hz 400 V specification, 60 Hz available upon request, ²Noise measure made according to ISO 3744



E-line

— 434 rpm — 330 rpm — 250 rpm

Airflow and efficiency tested in the Munters test chamber in accordance with ANSI/AMCA 210/15 Standard, certified by BESS Lab.

Load capacity

	E-line	
	Unassembled	Assembled
40' HC container	250	57
13.6 m truck	-	65

Pyramidal mesh for installation below 2.7 m available upon request.

Find your nearest Munters office at www.munters.com

Munters reserves the right to make alterations to specifications, quantities, etc., for production or other reasons, subsequent to publication. © Munters AB, 2024