

Munters Vario Air-Mix

Air circulation fans

The Vario Air-Mix is suitable for the mixing of large air volumes and as a result facilitates the saving of energy costs. In the winter months, it provides an even distribution of the warm air in the stable, which leads to a reduction of the heat output. In the summer months, it generates a cooling air flow, which in turn quickly leads away the heat.

Features

- Constructed of corrosion resistant materials
- Maintenance free direct drive motor
- Adjustable air distribution across a large distribution diameter
- Mounts to ceiling using chain links
- Variable speed option available
- Available with intake on top or at bottom for different applications

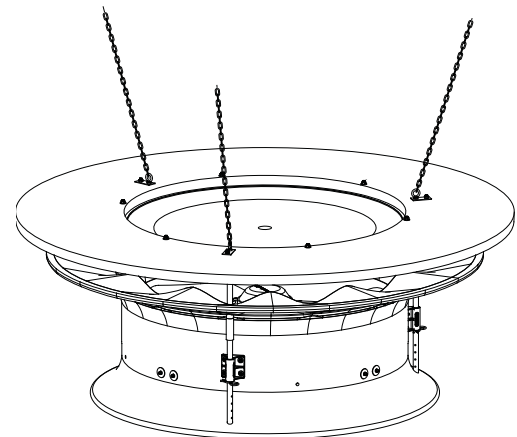
The Vario Air-Mix is available in two different variants for various projects: with an air inlet at the bottom or an air inlet at the top. Both were designed for the mixing of large air volumes and in this manner to ensure even temperatures throughout the stable.

The variably adjustable opening of the fan module enables both the adjustment of the air flow as well as the throwing range. The Vario Air-Mix has been especially designed to provide 100% of the fan output as recirculated air. The fan output is 21,125 m³/h and achieves a throwing range of up to 22 metres.

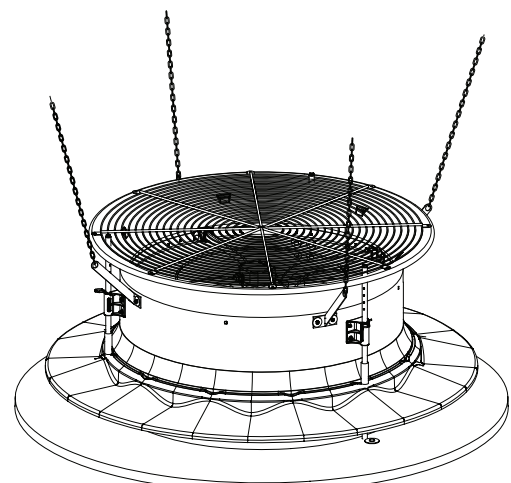
In connection with the wall and ceiling air inlets, the desired amount of fresh air is supplied into the stable, mixed with the warm stable air, thus enabling a constant climate inside of the stable.

The air circulation reduces the humidity in the stable and ensures dryer bedding, which provides a considerable reduction of the formation of ammonia. Humidity-related diseases such as ulcerative pododermatitis as well as avian diseases and fatalities are rarer.

With the Vario Air-Mix, you provide the animals with a pleasant stable climate and achieve a higher yield.



Vario Air-Mix with the air inlet at the bottom

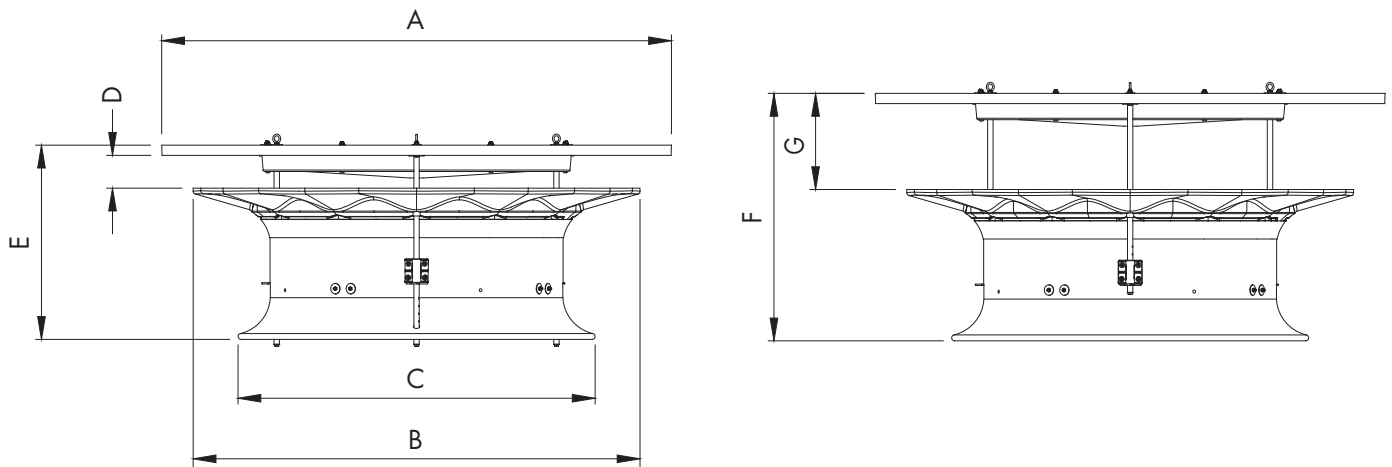


Vario Air-Mix with the air inlet at the top

Munters Vario Air-Mix

Air circulation fans

Dimensions



A	W	C	D	E	F	G
1,704 mm	1,494 mm	1,206 mm	110 mm	649 mm	827 mm	321 mm

Technical specifications

Vario Air-Mix		
Propeller diameter	[mm]	920
Transmission		Direct
Recirculating air flow rate ¹	[m ³ /h]	21,125
Throwing range ²	[m]	22
Weight of fully equipped fan	kg	83
Nominal values	V/A/kW/Hz	230 - 400/3.3 - 1.3/0.92/50
Max power consumption/max current	kW/A	0.92/1.9 - 3.3
Motor insulation grade/protective class		F/IP54
Noise level ³	Db(a)	88

¹ Max. airflow at 0 Pa; ² Dependant on pressure, outside temperature and internal stable temperature; ³ Noise measure made according to ISO 3744

Find your nearest Munters office at www.munters.com

Munters reserves the right to make alterations to specifications, quantities, etc., for production or other reasons, subsequent to publication. © Munters AB, 2021