



Munters »ZEW« 2500/2500-M/5000

Air inlets

The »ZEW« fresh air inlets can be used in many applications for integration into walls. In addition to the »ZEW« 2500/5000 with straight flaps, the »ZEW« 2500-M is available with a curved flap for a differentiated, two-part airflow. Thanks to the design, an accurate dosed fresh air supply is possible without having any major losses in the inflow.

Advantages

- Accurate dosed and almost lossless fresh air supply
- Good mechanical characteristics
- Circumferential bearing surface for optimal closing of the fresh air inlet
- Sturdy design
- High insulation value
- Practical rope fastener
- ZEW-M: with differentiated, two-part air guidance

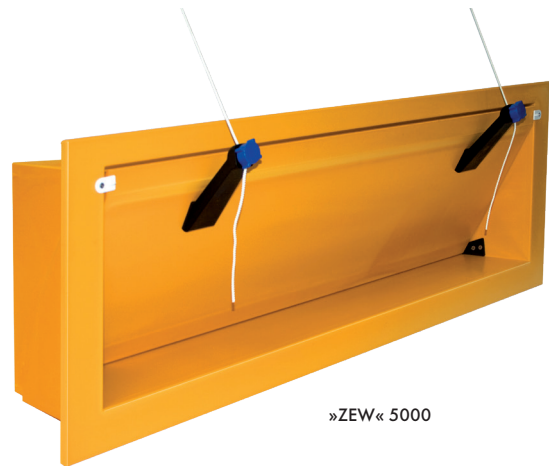
There is an approx. 50 mm / 1.97 inch wide flange around the frame to facilitate integration into the wall. The mount for the flap is low-wear and functionally reliable. Stepless control can be implemented via a central actuator with a rope and motor. The »ZEW« is available in the formats self-opening and self-closing.

»ZEW«-M range for differentiated air guidance

The distinctive feature of the »ZEW«-M range is the mounting for the curved flap. It facilitates differentiated, two-part air guidance. As such part of the in-flowing air can be directed straight down, which is particularly advantageous in the summer because the animals can be supplied directly with fresh air. The flap opening can be infinitely adjusted via the pull rope.



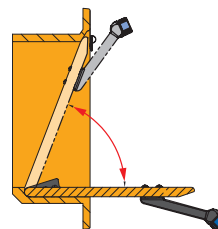
Air guidance of the »ZEW«-M range



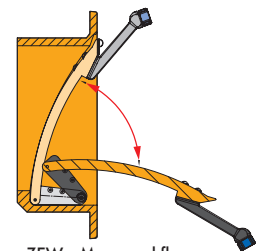
»ZEW« 5000



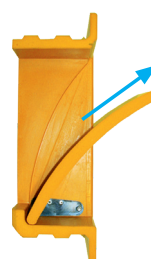
»ZEW« 2500



»ZEW«, straight flap



»ZEW«-M, curved flap



»ZEW«-M, half open



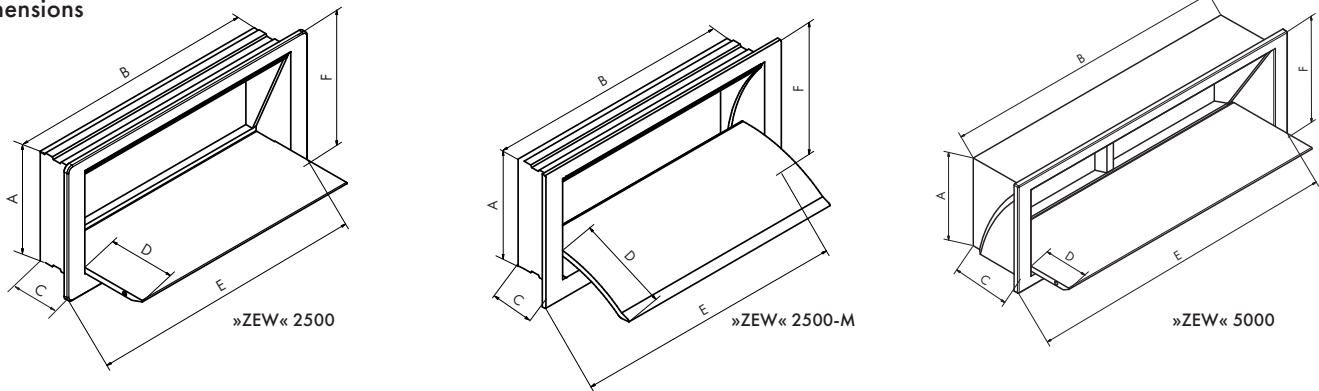
»ZEW«-M, open

= differentiated air guidance

Munters »ZEW« 2500 / 5000

Air inlets

Dimensions



	A	B	C	D	E	F
»ZEW« 2500	380 mm	854 mm	150 mm	ca. 225 mm	960 mm	470 mm
»ZEW« 2500-M	380 mm	854 mm	150 mm	ca. 260 mm	960 mm	470 mm
»ZEW« 5000	357 mm	1,186 mm	240 mm	ca. 180 mm	1,255 mm	435 mm

Technical specifications

		»ZEW« 2500		»ZEW« 2500-M		»ZEW« 5000	
		a. o.	a. c.	a. o.	a. c.	a. o.	a. c.
Air flow ¹	[m ³ /h]	3,500	3,500	3,400	-	5,400	5,400
Traction pulley	[N]	30	65	25	-	35	60
Traction wall guide	[N]	30	35	25	-	35	30
Stroke way pulley	[mm]	450	260	520	-	400	280
Stroke way wall guide	[mm]	450	560	520	-	400	560
Mounting dimensions	[mm]	854 x 380		854 x 380		1,186 x 357	

¹Air flow at 20 [Pa]; M range only self-opening; a. o. = automatic opening; a. c. = automatic closing

Load capacity

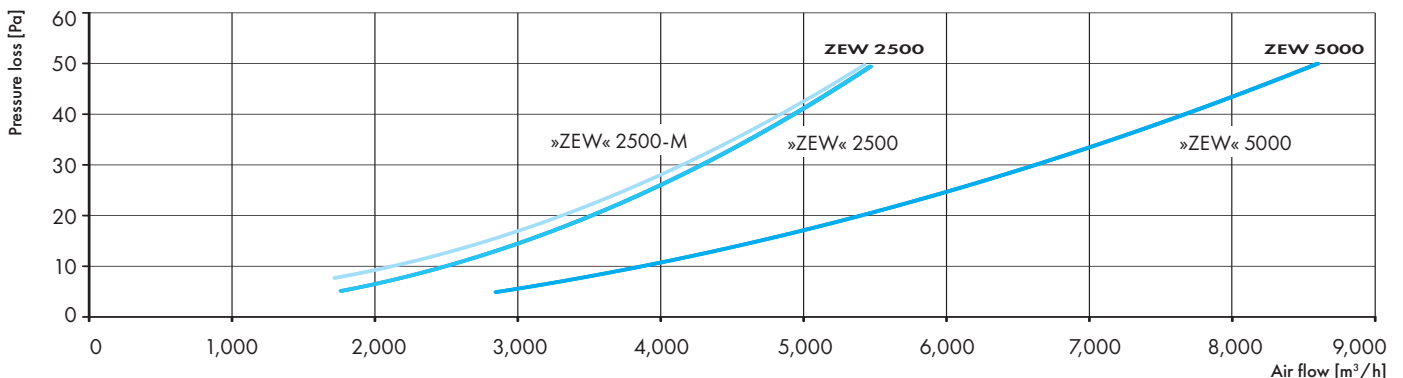
	Quantity	Pallet size
»ZEW«2500	22	1,0 x 1,0 x ca. 2,2m
»ZEW«5000	21	1,3 x 1,3 x ca. 2,2m
»ZEW«2500-M	22	1,0 x 1,0 x ca. 2,2m

»ZEW« overview

		2500	5000
Straight		•	•
M (curved)		•	-
Air conduction sheet		•	•
Bird protective grid		•	•
Light filter		•	•

• = available, - = not available

Air capacity



Find your nearest Munters office at www.munters.com

Munters reserves the right to make alterations to specifications, quantities, etc., for production or other reasons, subsequent to publication. © Munters AB, 2021