



Vario

Circulation fans

Engineered to mix large volumes of air and provide even temperatures throughout your facility.

Features

- Built with thermally insulated polyurethane material and premium corrosion resistant materials to assure top performance for many years.
- Diameter of 36 inches.
- Adjustable air distribution across a large distribution diameter.
- Variable speed option available.
- Mounts to ceiling using chain links.

Made from thermally insulated polyurethane material and built with premium corrosion resistant materials to assure top performance for many years. Ideally suited for new, large cage-free buildings.

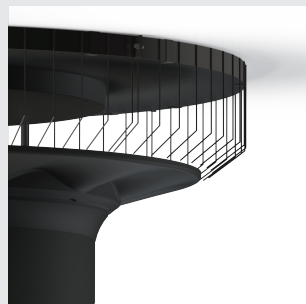
Uses a quiet 36 inch variable speed fan that can keep precise control over air flow. Fan may be customized to fit the application and seasonal needs. Fan performance is 12,450 cfm and throws air up to 72 feet.

The Vario sliding fan module makes it possible to variably adjust the volume versus throw output. Vario is designed specifically for 100% of fan output available as recirculated air during operation.

Use with Munters BI28 ceiling inlets and ZEW Flatwave sidewall inlets to maintain the ideal amount of fresh air and circulated air to keep your building's climate stable and comfortable..



Vario with chain mount kit



Bird Guard

Available guard kit for the 36" Vario circulation fans is added to prevent birds from entering the venturi/propeller interface. The guard kits are made of powder coated steel to increase corrosion resistance and are easy to install in new and existing fans.

Vario

Circulation fans

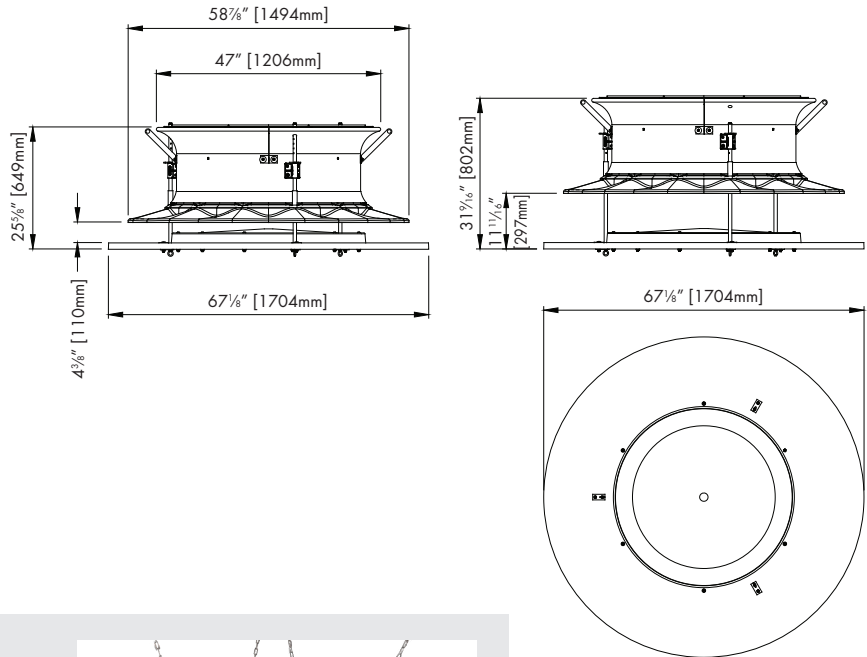
Technical specifications

Interior Diameter	
inches	36
millimeters	920

Measurement diagram for reference only.

Performance

Air Flow - Equal Pressure Ventilation	
cfm	12,450
[m ³ /h]	21,125



Note

The sliding fan module on the Vario makes it possible to variably modify the recirculation gap.

FH1704 – Chain Mount Kit

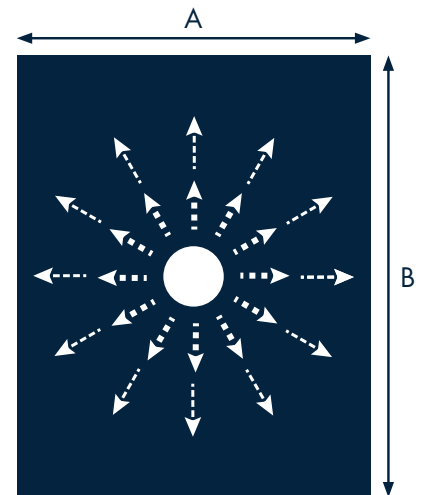
Available for hanging Vario fans to the ceiling. Includes chain and s-hooks for easy hanging of the Vario fan.



360° Throwing Range

Up to 72 feet*

Planning starts with an even distribution of the Vario fans. Near equal sized areas ensure an optimum distribution of fresh air. The fresh air distributor can be employed in equal pressure systems.



*Dependant on pressure, outside temperature and internal stable temperature.

Find your nearest Munters office at www.munters.com

Munters reserves the right to make alterations to specifications, quantities, etc., for production or other reasons, subsequent to publication. © Munters AB, 2022