

EQUIPMENT

DF 2500

- High separation efficiency
- Very low pressure drop leading to lower operating costs
- Corrosion resistant
- Simple installation
- Low maintenance cost due to simple operating principle and long lifetime
- Wide face velocity range
- Tailor made sizes and designs
- Hygienic design
- Wide range of highest quality material
- In house ISO 9001 certified manufacturing

DF 2500

Droplet Separator



DF 2500 is a ready-to-install droplet separator for use in many application areas. It is available in various material combinations and configurations to fit a wide range of operating conditions.

DF 2500 droplet separator provides high efficiency droplet separation and low pressure drop even at high face velocity giving energy saving operation.

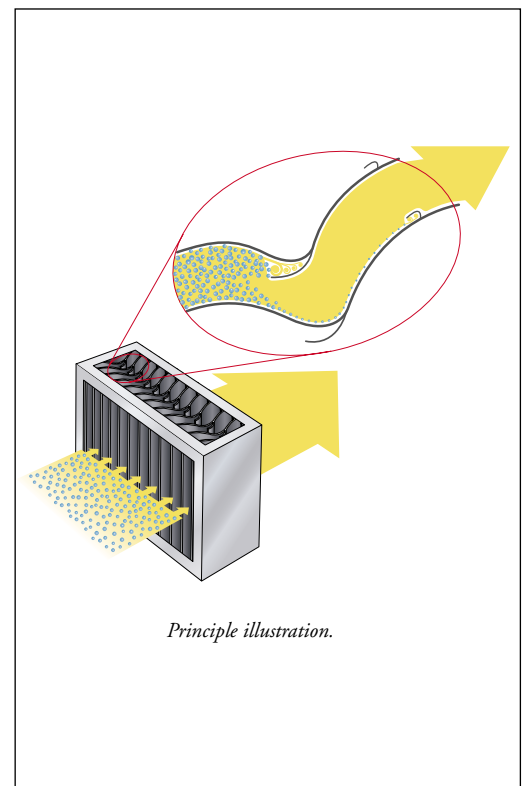
The droplet separator can be configured to most individual performance and installation situations, providing a cost effective solution. Alternative material choices and drainage systems, as well as add-on features like flanges and protection mesh are just some of the configuration options.

DF 2500 droplet separator is the best choice, when mist behind cooling coils needs to be removed. Condensed droplets could be carried over into the system. This carry-over could wet downstream filters, increasing pressure drop and reducing filter lifetime as well as being carried into ductwork. Eliminating moisture carry-over into ductwork reduces corrosion and maintenance, eliminates unsightly leakage from HVAC outlets, and reduces the growth of odour causing possible pathogenic bacteria. DF 2500 droplet separator is designed to be used mainly after cooling coils and in air intakes. The unit is suitable for use at face velocities between 2 and 5 m/s.

Separation technology

The streamlined separator deflects the droplet laden gas stream, as a result the momentum of the droplets causes them to impinge onto the profile surface. The droplets coalesce together and form a liquid film, the influence of gravity causes the liquid to drain to the bottom of the profiles. Specially shaped separation chambers improve performance by enhancing the separation of finer droplets and ensuring problem free discharge of liquid.

To avoid “flooding” of the profiles and the possibility of re-entrainment of the separated liquid, the height of the profile sections, droplet separators is normally limited to 2,500 mm.



Principle illustration.

Performance

The limit drop size represents a performance characteristic of the profile, at the relevant velocity and operating conditions it is the size of the smallest droplet that is completely separated. The diagram showing limit drop size has been calculated for an air/water system at 20 °C and 1 bar.

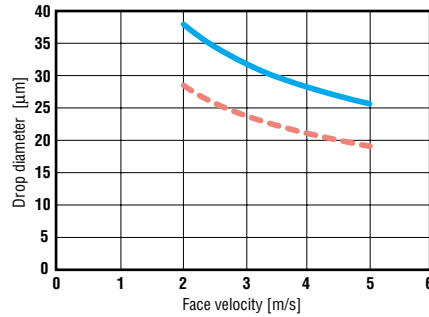
The pressure drop is measured at ambient conditions (20 °C and 1 bar) through a number of assembled profiles at various pitches/spacing and under ideal conditions.

The fractional efficiency indicates the percentage of droplets, removed from an airstream, that are smaller than the limit drop size.

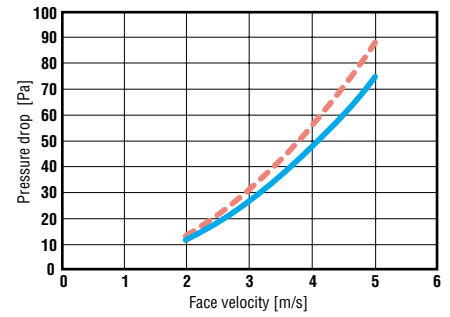
Liquid load

Maximum liquid load; 20 gram water/kg air, measured under ideal conditions at 20 °C, 1 bar and a face velocity of 4.0 m/s with a pitch/spacing of 33 mm between the profiles.

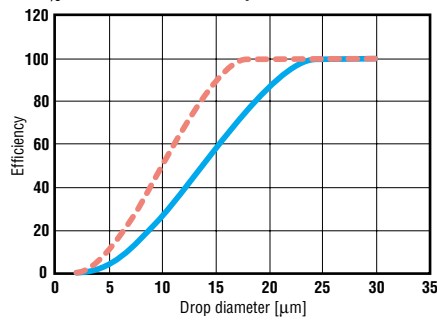
Limit drop size DF 2500



Pressure drop DF 2500



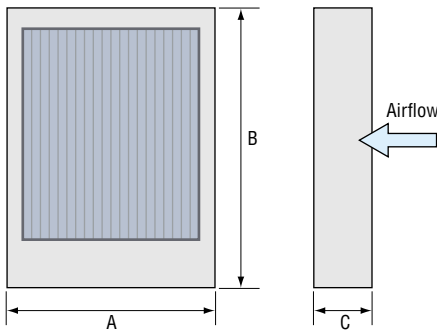
Fractional efficiency DF 2500 at 5 m/s



--- 25 mm pitch/spacing between profiles
— 33 mm pitch/spacing between profiles

For any data outside the specified range, please contact your nearest Munters representative.

Type, material and dimension specifications



Type code	Material		Pitch/spacing between profiles mm	Width*** A mm min-max	Height*** B mm min-max	Depth C mm	Operating temp °C min-max
	Frame**	Profile					
1b	304	PPTVb****	25, 33	300-2,500	300-2,500	136	+5 - +100
1w	304	PPTVw	25, 33	300-2,500	300-2,500	136	+5 - +100
2b	316L	PPTVb****	25, 33	300-2,500	300-2,500	136	+5 - +100
2w	316L	PPTVw	25, 33	300-2,500	300-2,500	136	+5 - +100
3b	316Ti	PPTVb****	25, 33	300-2,500	300-2,500	136	+5 - +100
3w	316Ti	PPTVw	25, 33	300-2,500	300-2,500	136	+5 - +100
4b	AlMg3*	PPTVb****	25, 33	300-2,500	300-2,500	136	-
4w	AlMg3*	PPTVw	25, 33	300-2,500	300-2,500	136	-
7a	AlMg3*	AlMgSi0.5*	25, 33	300-2,500	300-2,500	136 ¹⁾	-
8a	AlMg3*	AlMgSi0.5*	25, 33	300-2,500	300-2,500	120 ²⁾	-

* Anodised or coloured material on request.

** All frames can be painted on request (specify RAL code). All frames powder coated on request.

Aluminium frames of other aluminium alloys on request. All frames can be brushed to give a frosted appearance, stainless steel can be obtained polished.

*** Standard tolerance on width and height: +0, -5 mm.

**** Special polypropylene compound for min operating temperature -40 °C on request.

PPTV = Talcum reinforced polypropylene (b = black, w = white)

AlMgSi0.5 = Aluminium alloy

AlMg3 = Aluminium alloy

304 = Stainless steel (AISI 304, DIN 1.4301)

316L = Stainless steel (AISI 316L, DIN 1.4404)

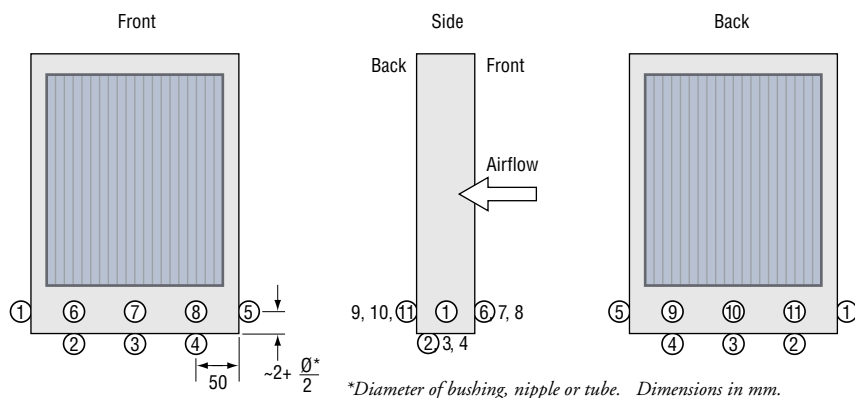
316Ti = Stainless steel (AISI 316Ti, DIN 1.4571)

¹⁾ Design type one, with PPTV spacers.

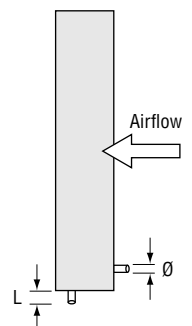
²⁾ Design type two, all aluminium.

Drainage positions

Code for drainage position, put P before the position number, e.g., P9 or P6,8,9,10 if more outlets are to be used.



Drawing for fittings (see next page).



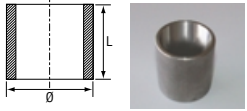
⑫ Slot throughout the entire bottom for use with separate housing/tray.

Fittings specifications

For aluminium frames

Tubes

Fitting code	Ø mm	L mm
A1	16	50
A2	20	50
A3	30	50
A4	42	50
A5	54	75
A6	65	75
A7	76	75

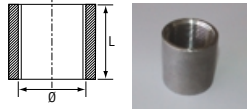


Fitting material AlMgSi0.5 aluminium alloy.

For stainless steel frames

Bushing

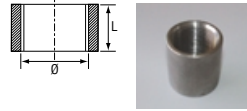
Fitting code	Ø inch	L mm
B1	1/2	34
B2	3/4	36
B3	1	43
B4	1 1/2	48
B5	2	56
B6	2 1/2	70
B7	3	95



Bushing according to DIN 2986, nipples DIN 2982, material 316Ti (AISI 316Ti, DIN 1.4571), witworth – thread according to DIN 913. * In combination with bushing (fitting code B).

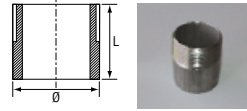
Half bushing

Fitting code	Ø inch	L mm
C1	1/2	15
C2	3/4	17
C3	1	19
C4	1 1/2	22
C5	2	26



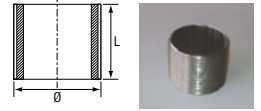
Weld-on nipple

Fitting code	Ø inch	L mm
D1	1/2	35
D2	3/4	40
D3	1	40
D4	1 1/2	50
D5	2	50
D6	2 1/2	60
D7	3	65

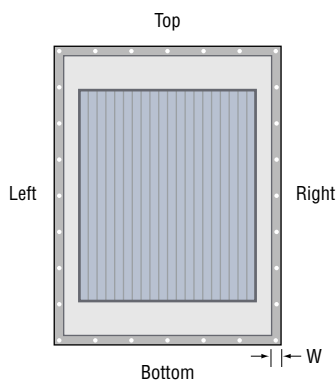


Nipple*

Fitting code	Ø inch	L mm
E1	1/2	25
E2	3/4	40
E3	1	35
E4	1 1/2	38
E5	2	45



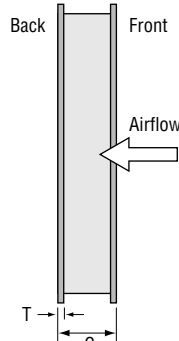
N.B. The required cross-section of the water outflow depends on both application and liquid load. Most frequently used fitting sizes are 3/4" and 1" and corresponding tube sizes.



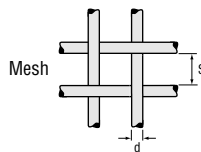
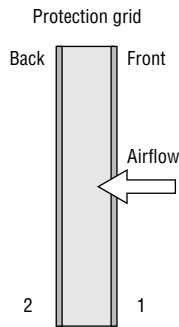
Hole configurations in flanges are delivered according to Eurovent, DIN 24193, Norsok or other trade, national or international standards (specify according to individual requirements are also delivered (specify drill pattern and hole diameter, provide drawing or use sketch on last page).

Code	[mm] min-max
R	50-500

Code for radius, put R before the dimension, e.g. R150



N.B. Depths [C] is the same with or without flanges.



Flanges specifications

Flange code		Position	Thickness*, T	
Continuous welded	Spot welded		code	mm
F1	F11	Top & bottom front	T2	2
F2	F12	Left & right front	T3	3
F3	F13	All sides front	T5	5
F4	F14	Top & bottom back	T8	8
F5	F15	Left & right back		
F6	F16	All sides back		
F7	F17	Top & bottom, front & back		
F8	F18	Left & right, front & back		
F9	F19	All sides front & back		
			Width*, W	
			code	mm
			W30	30
			W50	50
			W60	60

Material: Aluminium and stainless steel in accordance with the frame material selected. * Other thickness or width on request.

Protection grid and mesh type specifications

Protection grid code	Position	Mesh width, S		Mesh type, wire diameter, d Ø [mm]			
		inch	mm	1.0	1.2	1.5	2.0
G1	Front	1/4 x 1/4	5 x 5	Q1			
G2	Back	1/4 x 1/4	6 x 6	Q2	X2		
		1/3 x 1/3	8 x 8	Q3	X3		
		1/2 x 1/2	10 x 10	Q4	X4		
		1/2 x 1/2	12 x 12	Q5		Y5	
		3/4 x 3/4	16 x 16	Q6	X6	Y6	
		3/4 x 3/4	20 x 20	Q7		Y7	Z7
		1 x 1	25 x 25	Q8		Y8	Z8

Material: Stainless steel 304 (AISI 304, DIN 1.4301). N.B. Protection grid is mainly used as trash screen on air inlets. Pressure drop over wire mesh is negligible.

DF 2500

DF 2500 droplet separator is developed to suit a wide range of applications. The various outfit options cover the most typically occurring installation variations. However, tailor made droplet separators are frequently delivered based on customers' individual specifications.

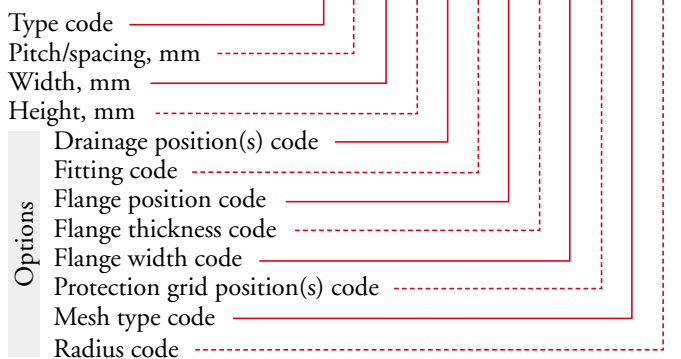
Material certificates can be delivered for most materials upon request. Fractional efficiency curves for given face velocities are delivered on special request.

For hygienic-proof HVAC equipment DF 2500 droplet separator can be delivered in accordance with the standards VDI 6022, VDI 3803, DIN 1946 (specify H in order code).

DF 2500 is developed and produced by Munters Euroform GmbH, Germany.

Order information

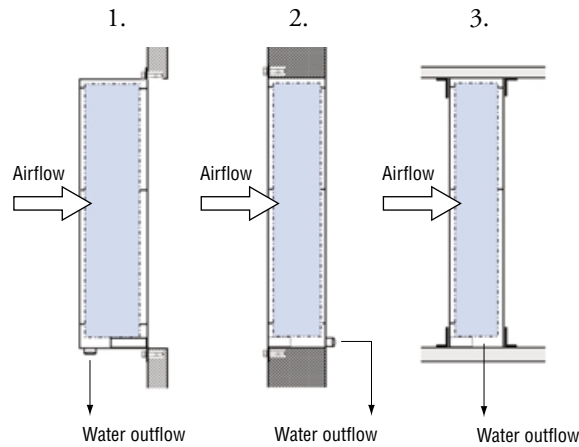
DF 2500-X-X-X-X-X-X-X-X-X-X-X-X-X-X-X-X



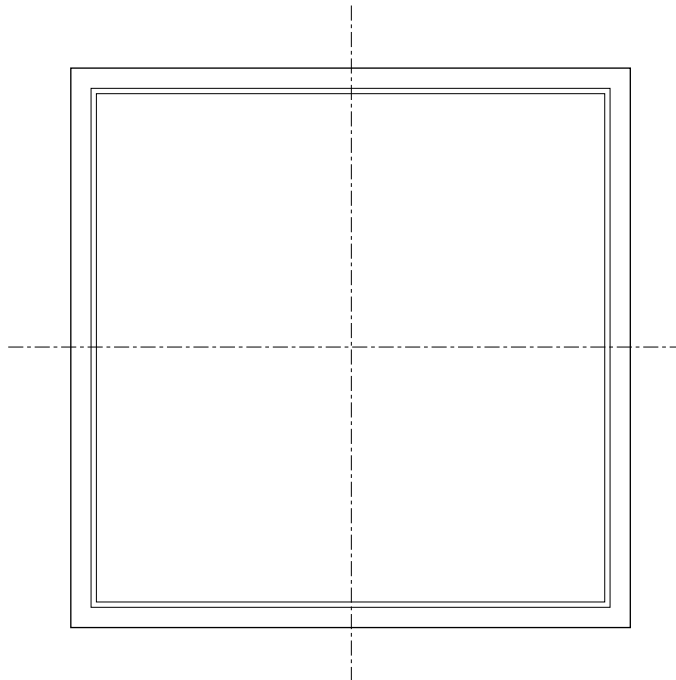
e.g., DF 2500-1b-25-1820-1200-P9-B5-F2-T2-W30-G2-Q4-R150

Examples of installation

1. The droplet separator is flanged onto a wall opening and the water drains vertically outside of the wall.
2. The droplet separator is flanged into a wall opening and the water drains controlled into an internal tray (not shown in the drawing)
3. The droplet separator is installed in an air duct and stands in between angled profiles that are connected to the air duct. The water drains through the bottom into a tray that is below the air duct.



Drill pattern sketch



Munters Europe AB, HumiCool Division, Kung Hans Väg 8, P.O. Box 434, SE-191 24 Sollentuna, Sweden. Phone +46 (0)8-626 63 00, Fax +46 (0)8-754 56 66.
 Munters Euroform GmbH, Philippsstrasse 8, DE-52068 Aachen, Germany. Phone +49 (0)241-89 000, Fax +49 (0)241-89 005 189.
www.munters.com

Austria via sales organization in Germany, **Denmark** via sales organization in Sweden, **Finland** Munters Oy, Phone +358 (0)9-83 86 030, Fax +358 (0)9-83 86 0336, **France** Munters France S.A., Phone +33 (0)1-34 11 57 50, Fax +33 (0)1-34 11 57 51, **Germany** Munters Euroform GmbH, Phone +49 (0)241-89 000, Fax +49 (0)241-89 005 189, **Italy** Munters euroemme S.p.A., Phone +39 0183-52 11, Fax +39 0183-521 333, **Kingdom of Saudi Arabia and Middle East** Hawa Munters, c/o Hawa United Cooling Syst. Co. Ltd., Phone +966 (0)1-477 15 14, Fax +966 (0)1-476 09 36, **Norway** via sales organization in Sweden, **South Africa and Sub-Sahara Countries** Munters (Pty) Ltd, Phone +27 (0)11-971 9700, Fax +27 (0)11-971 9701, **Spain** Munters Spain S.A., Phone +34 91-640 09 02, Fax +34 91-640 11 32, **Sweden** Munters Europe AB, Phone +46 (0)8-626 63 00, Fax +46 (0)8-754 56 66, **Switzerland** via sales organization in Germany, **United Kingdom** Munters Ltd, Phone +44 (0)845-644 3980, Fax +44 (0)845-644 3981, **Export & Other countries** Munters Europe AB, Phone +46 (0)8-626 63 00, Fax +46 (0)8-754 56 66, **Region Americas** Munters Corporation, Phone +1 (0)978-241 1100, Fax +1 (0)978-241 1219, **Region Asia** Munters K.K., Phone +81 (0)3-5970 0021, Fax +81 (0)3-5970 3197.

Your closest distributor