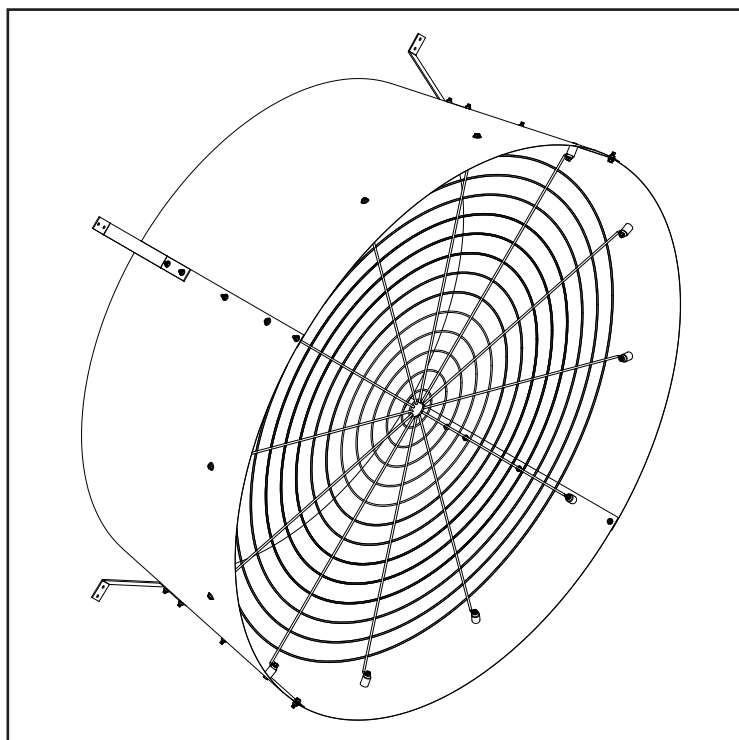


Instruction Manual



**50GC/
51GC**
Galvanized
Discharge Cone

GC Discharge Cone

Models: 50GC • 51GC



GC Discharge Cone

Instructions for use and Maintenance

Thank You:

Thank you for purchasing a Munters GC Discharge Cone. Munters equipment is designed to be the highest performing, highest quality equipment you can buy. With the proper installation and maintenance it will provide many years of service.

Please Note:

To achieve maximum performance and insure long life from your Munters product it is essential that it be installed and maintained properly. Please read all instructions carefully before beginning installation.

Warranty:

For Warranty claims information see the "Warranty Claims and Return Policy" form QM1021 available from the [Munters Corporation office at 1-800-227-2376 or by e-mail at aghort.info@munters.com](mailto:aghort.info@munters.com).

Conditions and Limitations:

- Products and Systems involved in a warranty claim under the "Warranty Claims and Return Policy" shall have been properly installed, maintained and operated under competent supervision, according to the instructions provided by Munters Corporation.
- Malfunction or failure resulting from misuse, abuse, negligence, alteration, accident or lack of proper installation or maintenance shall not be considered a defect under the Warranty.

Index

| Chapters | Page |
|---------------------------------|------|
| 1. Unpacking the Equipment | 4 |
| 1.1 Parts List | 4 |
| 1.2 Dimensions | 4 |
| 2. Installation Instructions | 5 |
| 3. Winterizing | 7 |
| 3.1 Winterizing | 7 |
| 3.2 Winter Weather Protection | 7 |
| 4. Exploded View and Parts List | 8 |

Unpacking the Equipment

1.

Before beginning installation, check the overall condition of the equipment. Remove packing materials, and examine all components for signs of shipping damage. Any shipping damage is the customer's responsibility and should be reported immediately to your freight carrier.

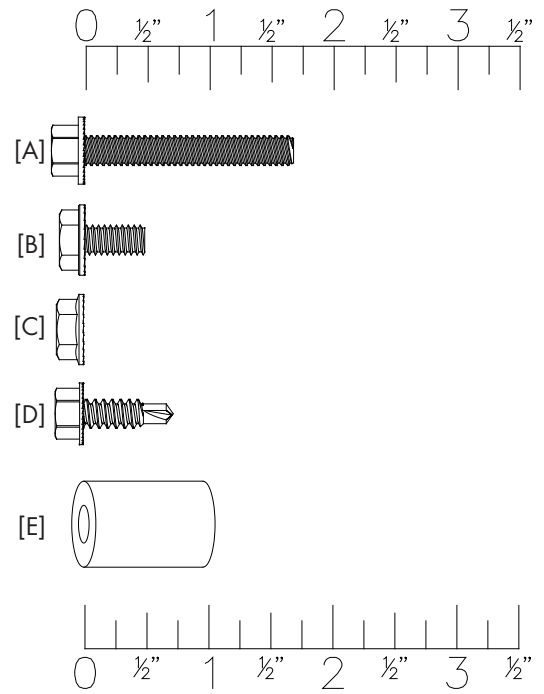
1.1 Parts List

Each Cone includes:

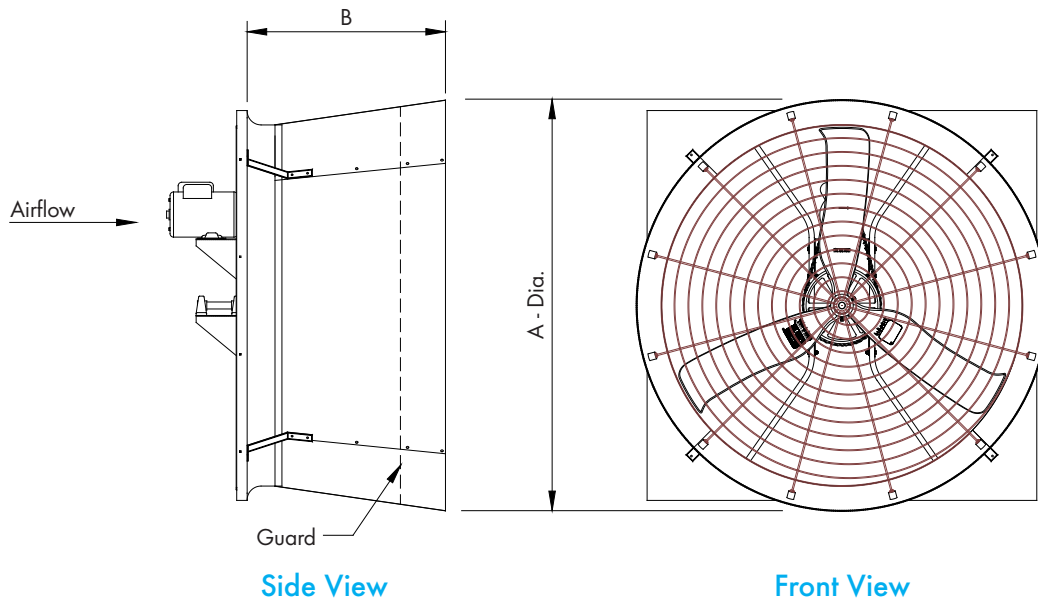
- 4 - Cone Sections (all the same)
- 4 - Support Brackets, galvanized
- 1 - Cone Guard
- 1 - Hardware Package (HP1106):

HP1106 - for 50GC and 51GC

| ID | Qty. | Cat. No. | Description |
|-----|------|----------|---|
| [A] | 12 | KS1152 | 1/4"-20 x 1.75" SRTD Flange Head Bolt, ZP |
| [B] | 16 | KS1153 | 1/4"-20 x 1/2" SRTD Flange Head Bolt, ZP |
| [C] | 28 | KN0730 | 1/4"-20 SRTD Flange Nut, ZP |
| [D] | 8 | KS2260 | 1/4"-20 x 3/4" SRTDHXWSHR TEK Screw, ZP |
| [E] | 12 | KX1256 | .32"IDx.75"ODx1"L. Spacer, Black, NY |



1.2 Dimensions



| Cat. No. | Fan Dia. | A - Dia. | B |
|----------|----------|----------|---------|
| 50GC | 50" | 59" | 26 1/4" |
| 51GC | 51" | 59" | 28 1/2" |

Installation Instructions

2.

2.1 Discharge Cone Installation

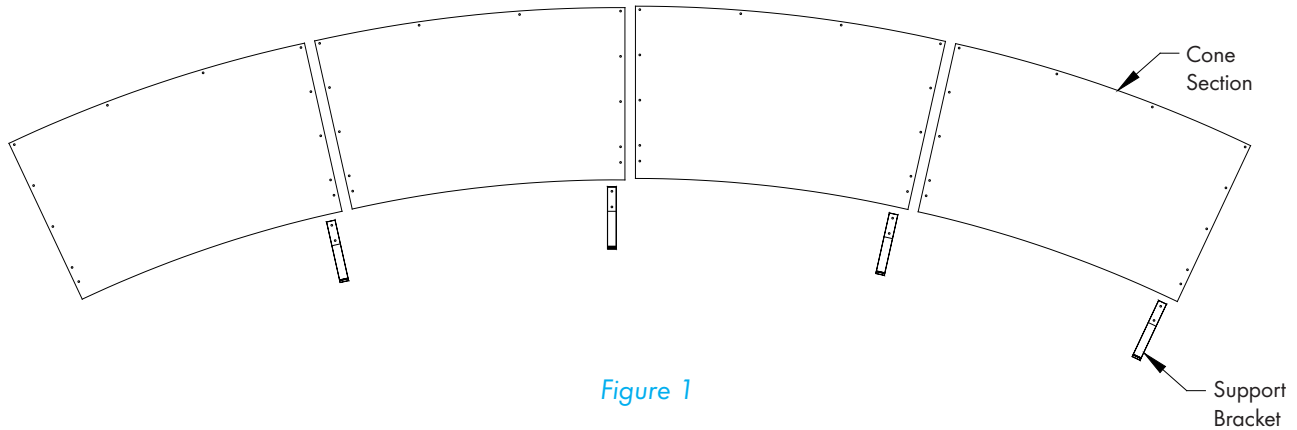
Step 1

Remove packaging from cone sections and guard.

Step 2

Place all (4) cone sections on a flat surface. *See Figure 1.*

Place (1) support bracket at each joint.



NOTE:

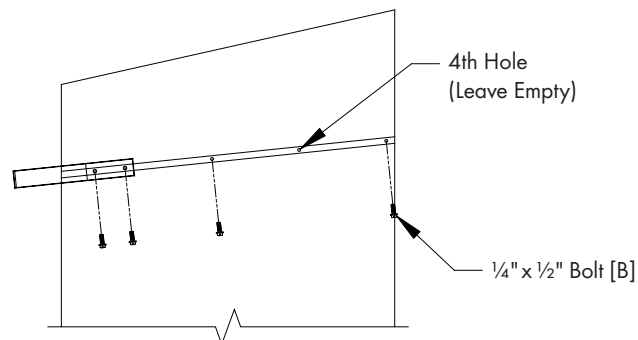
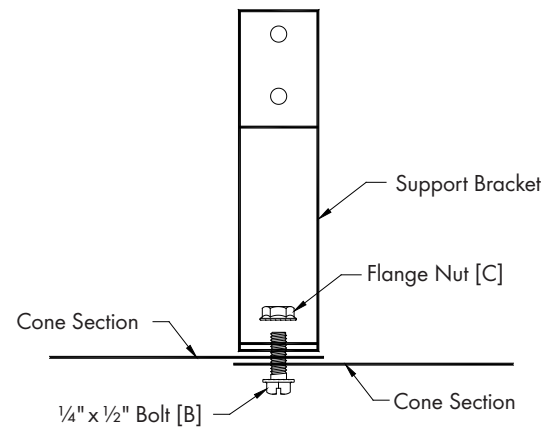
The Fan must be installed in the wall before proceeding with discharge cone installation.

Step 3

Join cone sections with Bolts [B] and Nuts [C]. Bolts should be installed from the inside with nuts on outside of cone. The bolts in the two holes nearest the small end of each section hold a support bracket. *See Figure 2A.* **DO NOT** tighten. Nuts should be started only one turn onto bolts at this time. **DO NOT** place bolts in the 4th holes at this time. *See Figure 2B.*

Step 4

Stand cone sections on edge and curl ends around until they meet, forming a round cone. The support brackets should be on the outside of cone. Join ends using remaining (4) Bolts [B] and Nuts. Tighten all bolts fully.



Step 5

Install cone on fan. Two people are usually required to do this. Cone should slide over fan outlet approximately 1 1/2". After cone is on fan, secure it with (2) TEK Screws [D] through each support bracket. See Figure 3.

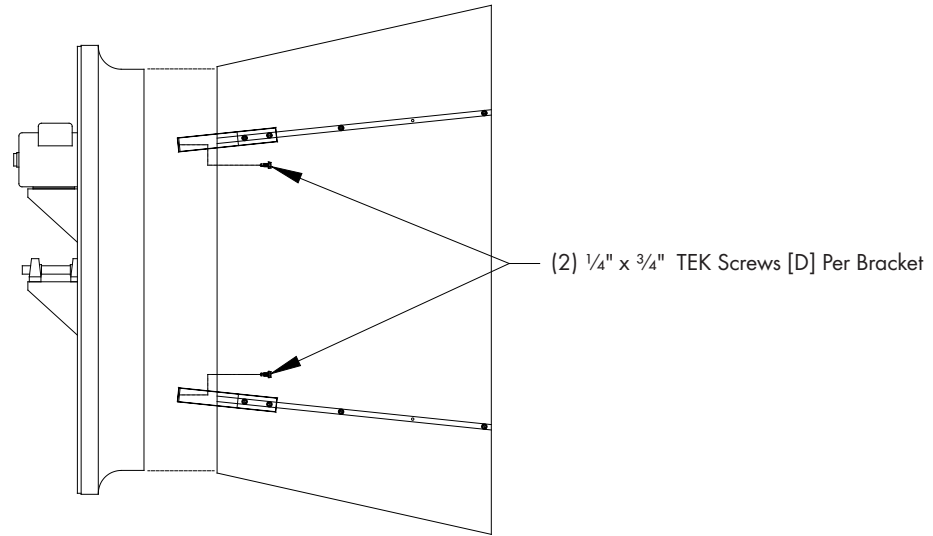


Figure 3

Step 6

Insert Guard into cone with the Guard eyelets facing you. Make sure each eyelet lines up with a hole in the cone sections. Secure eyelets to cone using (12) Bolts [A], Spacers [E] and Nuts [C]. See Figure 4.

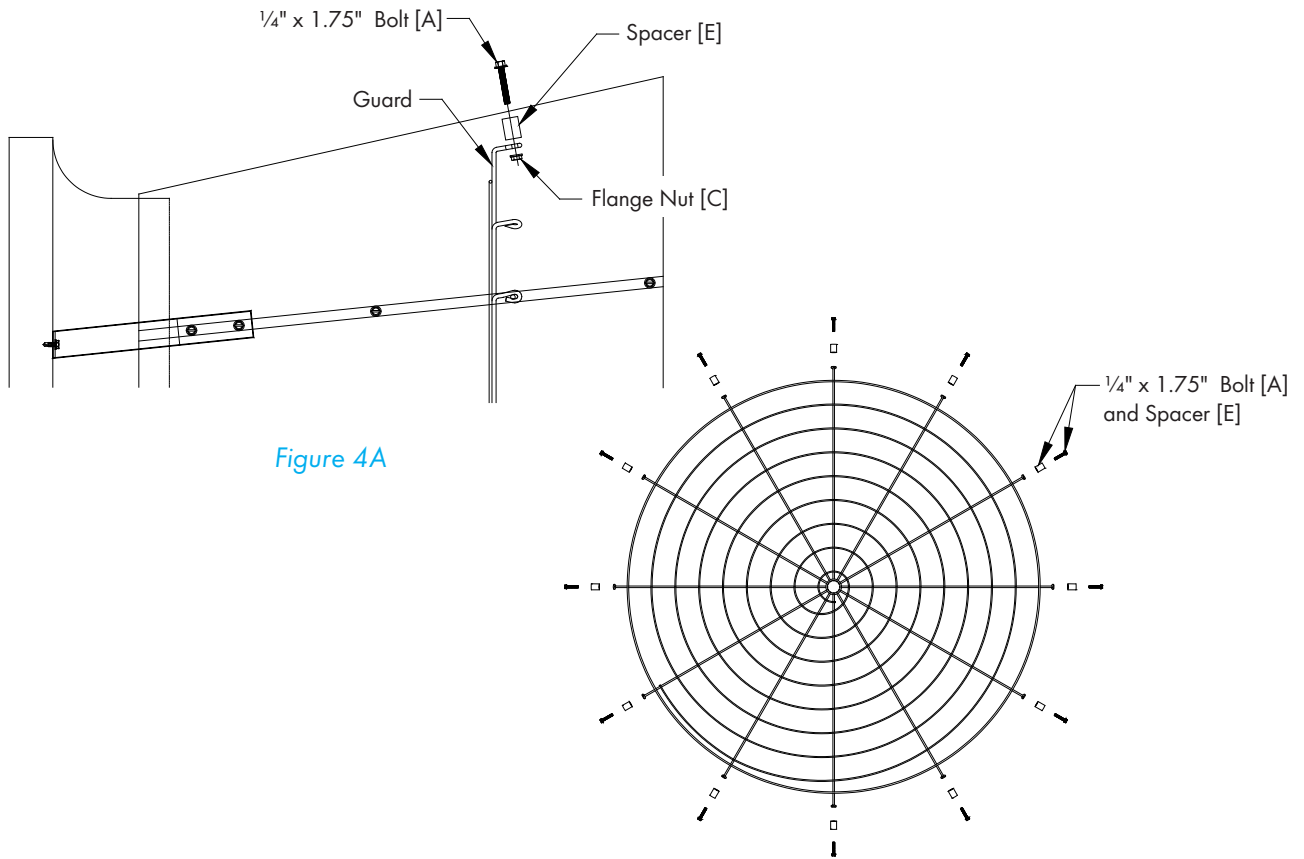


Figure 4A

Figure 4B

3.1 Winterizing

In most climates, it is probable that the ventilation system will never need to operate at a total capacity during the colder winter months. Consequently, it is advisable to “winterize” those fans which will not be used in cold weather to avoid unnecessary heat loss and condensation.

To winterize, turn fan control “off”. Install the insulated closure panel over the fan intake. If you don’t have an insulated closure panel, a piece of rigid insulation material can be used. Remember the insulation panel must be removed before warmer weather returns.

NOTE: At least one single speed fan should be left uncovered and with power available to provide air movement in the event of variable speed control difficulties.

3.2 Winter Weather Protection

To prevent cone or fan damage from snow or ice sliding off building roof, weather protection must be provided. A weather shelter may be constructed to cover the entire fan, *See Figure 5*, or snow guards may be placed on the roof, *See Figure 6*.

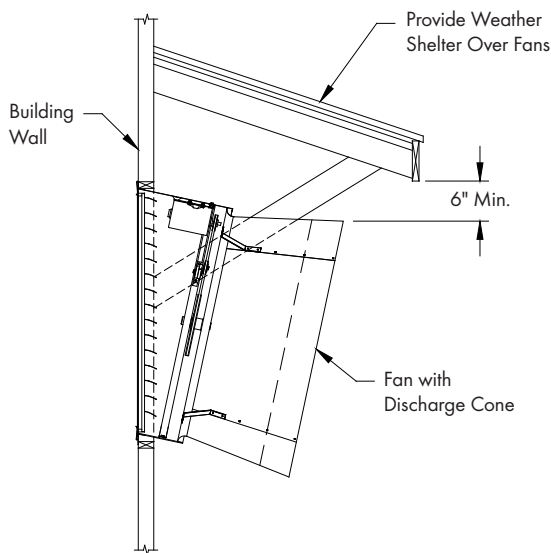


Figure 5

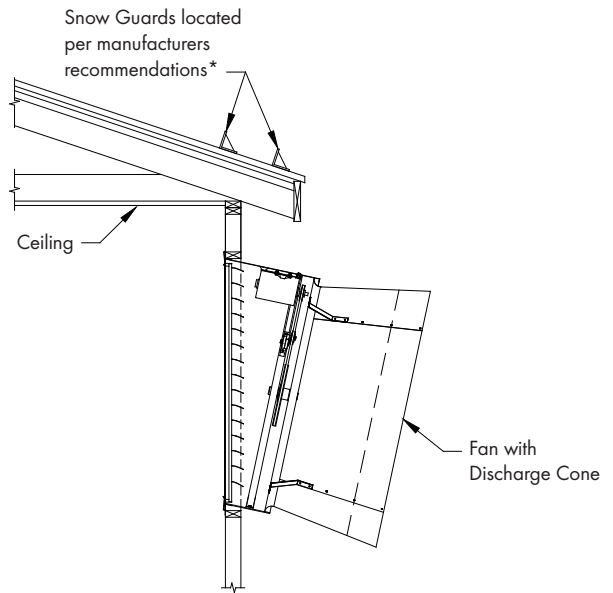


Figure 6

* Snow Guard Suppliers

| Company Name | Phone No. | Fax No. | Web Site |
|--------------------|--------------|--------------|--------------------------|
| Snojax, Inc. | 800-766-5291 | 717-697-2452 | www.snojax.com |
| Polar Blox | 800-298-4328 | 814 629-9090 | www.polarblox.com |
| LM Curbs | 800-284-1412 | 903 759-3598 | www.lmcurbs.com |
| Alpine Snow Guards | 888-766-4273 | 888-766-9994 | www.alpinesnowguards.com |



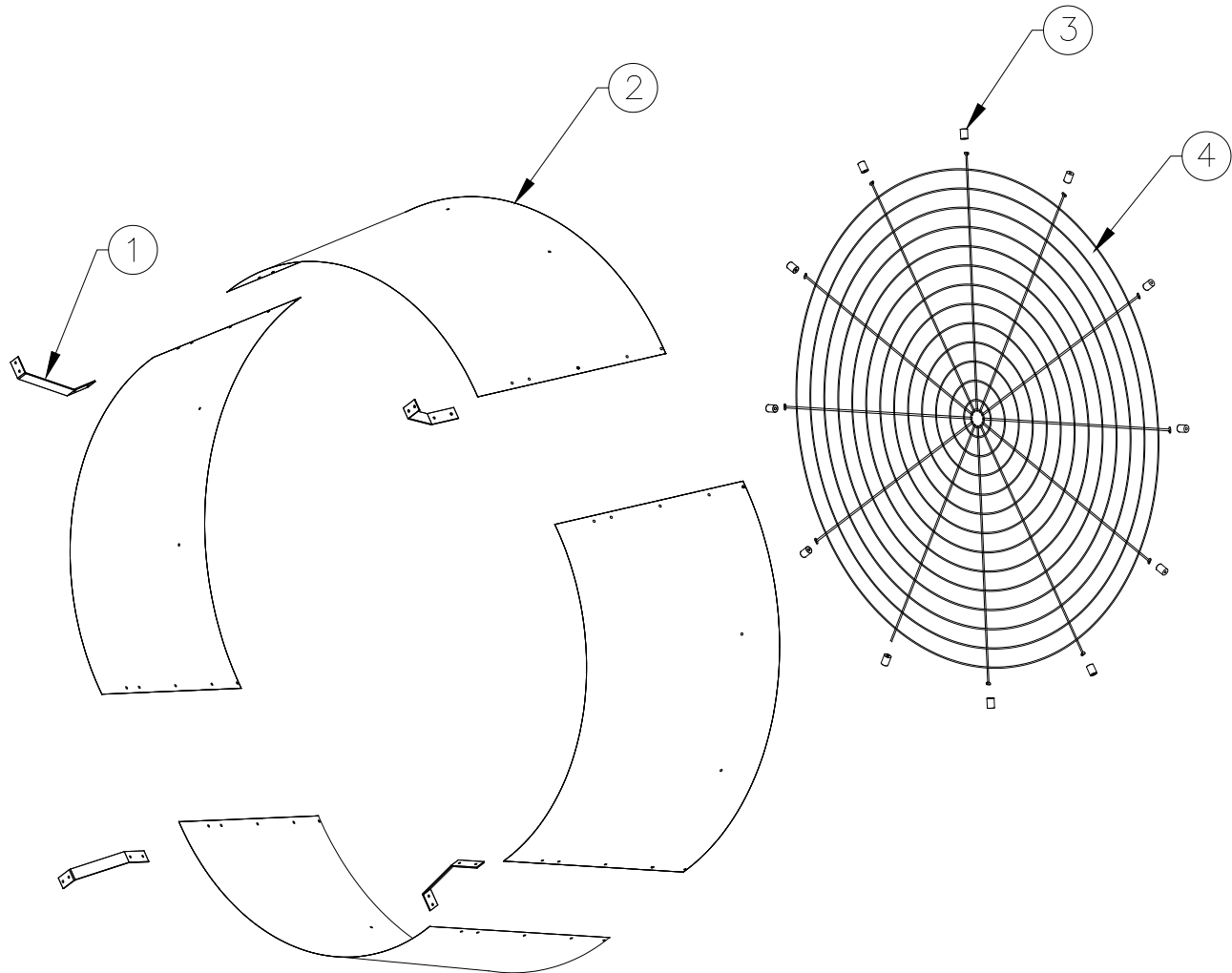
IMPORTANT

Munters Product and System Warranties do not cover cone or fan damage from external sources.

Note: Snow guards are designed to prevent sudden, dangerous snow and ice slides when attached to the building roof according to manufacturers recommendations. The supplier listing above is given as a reference only. Munters does not endorse any specific snow guard product and no performance warranty is implied.

Exploded View and Parts List

4.



| Item | Catalog No. | | Part Name/Description | Qty. |
|------|-------------|--------|--|------|
| | 50GC | 51GC | | |
| 1 | FH2130 | FH2130 | Cone support bracket, GC type, galvanized | 4 |
| 2 | FH4250 | FH4251 | Discharge Cone (1 section), galvanized | 4 |
| 3 | KX1256 | KX1256 | Spacer 0.32 ID x 3/4" O.D. x 1.0"L, black NY | 12 |
| 4 | FH2648 | FH2648 | Guard, Round, PVC Coated, w/ Hardware | 1 |

This page left blank intentionally

GC Discharge Cone is developed and produced by Munters Corporation, Lansing, Michigan U.S.A. 1-800-227-2376



Munters Europe AB, Isafjordsgatan 1, P.O. Box 1150, SE-164 26 Kista, Sweden. Phone +46 08 626 63 00, Fax +46 8 754 56 66.

Munters Corporation 2691 Ena Drive Lansing, MI 48917 U.S.A. Phone +1 800-227-2376, Fax +1 517-676-7078

www.munters.us

[Australia](#) Munters Pty Limited, Phone +61 2 6025 6422, [Brazil](#) Munters Brasil Industria e Comercio Ltda, Phone +55 41 3317 5050, [Canada/US](#) Munters Corporation Lansing, MI Phone +1 517 676 7070, [China](#) Munters Air Treatment Equipment (Beijing) Co. Ltd, Phone +86 10 80 481 121, [Denmark](#) Munters A/S, Phone +45 9862 3311, [India](#) Munters India, Phone +91 20 3052 2520, [Indonesia](#) Munters, Phone +62 818 739 235, [Italy](#) Munters Italy S.p.A., Chiusavecchia, Phone +39 0183 52 11, [Japan](#) Munters K.K., Phone +81 3 5970 0021, [Korea](#) Munters Korea Co. Ltd., Phone +82 2 761 8701, [Mexico](#) Munters Mexico, Phone +52 818 262 54 00, [Russia](#) Munters AB, Phone +7 812 448 5740, [Singapore](#) Munters Pte Ltd., Phone +65 744 6828, [South Africa and Sub-Sahara Countries](#) Munters (Pty) Ltd., Phone +27 11 997 2000, [Spain](#) Munters Spain S.A., Phone +34 91 640 09 02, [Sweden](#) Munters AB, Phone +46 8 626 63 00, [Thailand](#) Munters Co. Ltd., Phone +66 2 642 2670, [Turkey](#) Munters Form Endüstri Sistemleri A.Ş, Phone +90 322 231 1338, [USA](#) Munters Corporation Lansing, MI Phone +1 517 676 7070, [Vietnam](#) Munters Vietnam, Phone +84 8 3825 6838, [Export and Other countries](#) Munters Italy S.p.A., Chiusavecchia Phone +39 0183 52 11