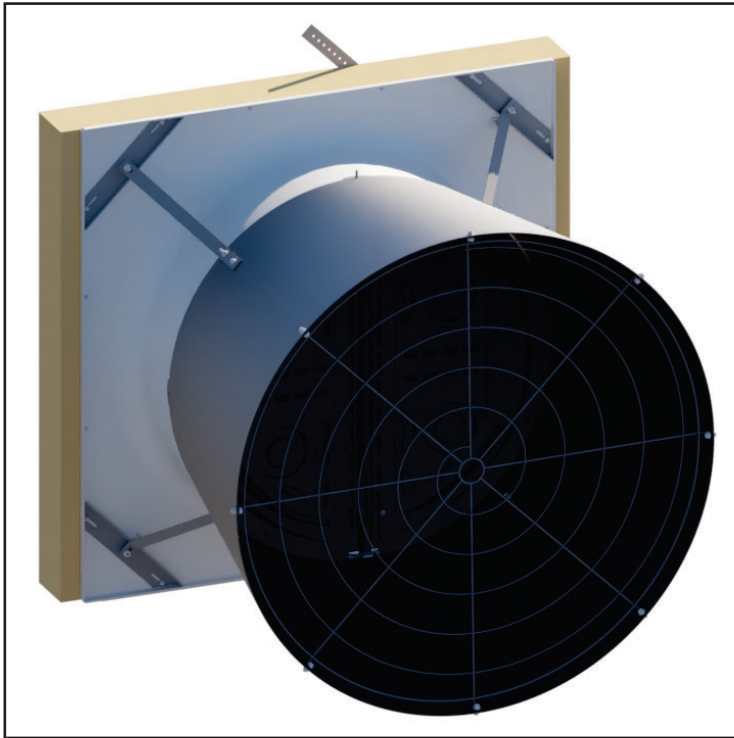


Instruction Manual



WM36K
Wall Mount Fan
with Damper Door
6-pack

WM Fiberglass Wall Mount Fan

with Damper Door - 6 pack

Models: WM36xKxCB-6PK



WM36K Fiberglass Wall Mount Fan with Damper

Instructions for Use and Maintenance

Thank You:

Thank you for purchasing a Munters Wall Mount Fan with Damper. Munters equipment is designed to be the highest performing, highest quality equipment you can buy. With the proper installation and maintenance it will provide many years of service.

Please Note:

To achieve maximum performance and insure long life from your Munters product it is essential that it be installed and maintained properly. Please read all instructions carefully before beginning installation.

Warranty:

For Warranty claims information see the "Warranty Claims and Return Policy" form QM1021 available from the [Munters Corporation office at 1-800-227-2376 or by e-mail at aghort.info@munters.com](mailto:aghort.info@munters.com).

Conditions and Limitations:

- Products and Systems involved in a warranty claim under the "Warranty Claims and Return Policy" shall have been properly installed, maintained and operated under competent supervision, according to the instructions provided by Munters Corporation.
- Malfunction or failure resulting from misuse, abuse, negligence, alteration, accident or lack of proper installation or maintenance shall not be considered a defect under the Warranty.

Index

Chapters	Page
1. Unpacking the Equipment	4
1.1 Parts List	4
1.2 Fan Dimensions	6
1.3 Tools for Installation	6
2. Installation Instructions	7
2.1 Wall Framing	7
2.2 Fan Assembly	8
2.3 Damper Door Installation	11
2.4 Cone Installation	17
2.5 Motor Mounting	21
3. Electrical Wiring	26
3.1 Recommended Wiring	27
4. Operation	28
5. Maintenance	29
6. Winterizing	31
6.1 Winterizing	31
6.2 Winter Weather Protection	31
7. Troubleshooting	32
8. Exploded View and Parts List	33-35

Unpacking the Equipment

1.

1.1 Parts List

Each Crate Includes Parts to build 6 fans:

Each WM36K Fan Requires:

- 1 - Orifice Panel, Fiberglass
- 1 - Propeller
- 1 - Tube Strut, PWDCTD
- 1 - Motor
- 1 - Drip Shield, AL
- 1 - Main Frame Assembly, AL
- 1 - Door Assembly, PL
- 4 - Cone Sections, PL
- 1 - Cone Guard
- 1 - Inlet Guard
- ½ - Bulk Parts Package (BK1150) For 2 Fans

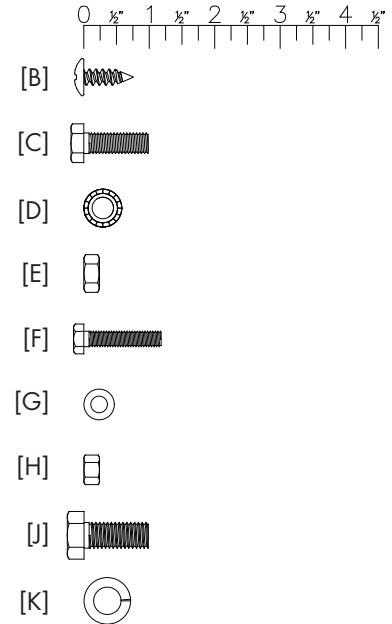


BK1150 - ½ of Bulk Parts Package needed for 1 - WM36K

- 1 - Motor Base Bracket, CTD-GZ
- 1 - Belt Tensioner Bracket, CTD-GZ
- 4 - Cone Support Brackets, PC Type, GZ
- 4 - Cone/Strut Mounting Brackets, GZ
- 1 - V-Belt, A-Section
- 1 - Hub with Bearings and Shaft
- 1 - Motor Sheave, CI
- 1 - Prop Sheave, CI
- 1 - Prop Adapter, ZP STL
- 1 - 3" Idler Pulley, A-Section C.I., Blue
- 1 - Rotary Tensioner Arm, AL
- 1 - Motor Mount Stiffener Bracket, GZ
- 2 - Tension Springs, 11.0"L., SS
- 1 - Hardware Package (HP1390)
- 1 - Coated Cable with ferrule, 100"L.
- 2 - Wing for Damper Door, HDPE, BLK

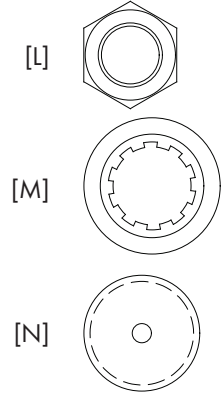
HP1390 – Hardware Package for 1 – WM36K

ID	Qty.	Cat. No.	Description
[B]	1	KS1901	6.3mm x 19mm Tapping Screw, ZP
[C]	4	KS1928	M8-1.25 x 25mm Hex Bolt, ZP
[D]	4	KW4906	M8 Star Lock Washer, BLK
[E]	4	KN1849	M8-1.25 x 8mm Hex Nut, ZP
[F]	4	KS1926	M6-1.0 x 30mm Hex Bolt, ZP
[G]	4	KW4901	M6 x 12mm Flat Washer, ZP
[H]	4	KN1855	M6-1.0 x 6mm Hex Nut, ZP
[J]	1	KS1931	M10-1.5 x 25mm Hex Bolt, ZP
[K]	1	KW3509	10mm Splitlock Washer, ZP
[L]	1	KN1860	M25-2.0 x 10mm Hex Nut, ZP
[M]	1	KX1130	Shaft Shield for Prop Sheave, AL
[N]	1	KX1208	40mm Cover Cap, Black PL
[R]	8	FH1968	1-Hole Pivoting Shutter Clip, PL
[T]	1	AC0211 & AC0212	Azuma Bolt & Nut, Blue PL
[X]	1	KS1046	M10-1.5 x 50mm Hex bolt, ZP
[Y]	2	KX1059	1" S-Hook, 1/16" Wire, SS
	1	HK1001	Hardware Kit WM_K Fan Assembly, #1 of 2
	1	HK1002	Hardware Kit WM_K Fan Assembly, #2 of 2
	1	LB2646	Specification Label for WM36K



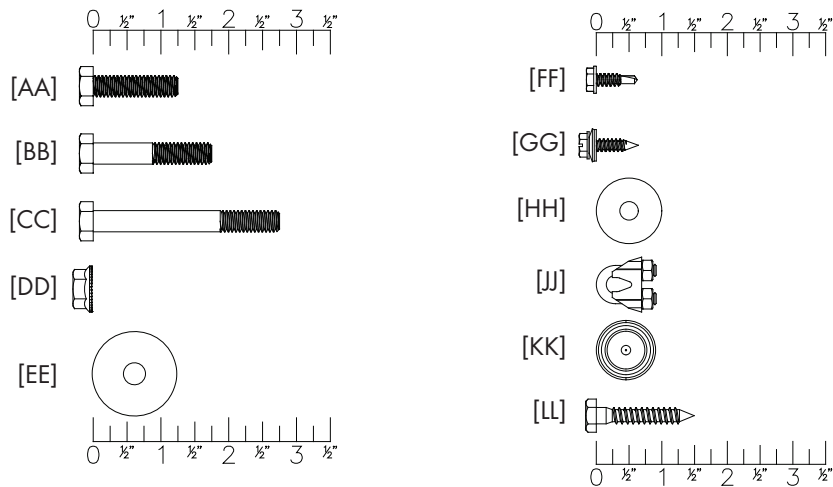
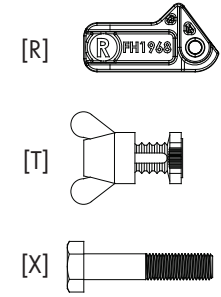
HK1001 – Hardware Kit for 1 – WM_K Fan

ID	Qty.	Cat. No.	Description
[AA]	18	KS1007	5/16"-18 x 1.25" Hex Head Bolt, SS
[BB]	4	KS1029	5/16"-18 x 1.75" Hex Head Bolt, SS
[CC]	7	KS1075	5/16"-18 x 2.75" Hex Head Bolt, SS
[DD]	37	KN0704	5/16"-18 SRTD Flange Nut, SS
[EE]	10	KW3011	5/16" x 1 1/4" O.D. Flat Washer, SS



HK1002 – Hardware Kit for 1 – WM_K Fan

ID	Qty.	Cat. No.	Description
[FF]	4	KS2258	#10-16 x 5/8" TEK Screw, SS
[GG]	7	KS1400	#10-12 x 3/4", SLTDHX, Seal-Washer Screw, ZP
[HH]	1	KW3012	1/4" x 1" O.D. Flat Washer, SS
[JJ]	2	AC1381	1/8" Dia. Cable Clamp, ZP
[KK]	2	KX1158	Hole Plug, 0.73"-0.76" Dia., BLK PL
[LL]	1	KS2463	1/4" x 1.5" HEX Lag Screw, ZP



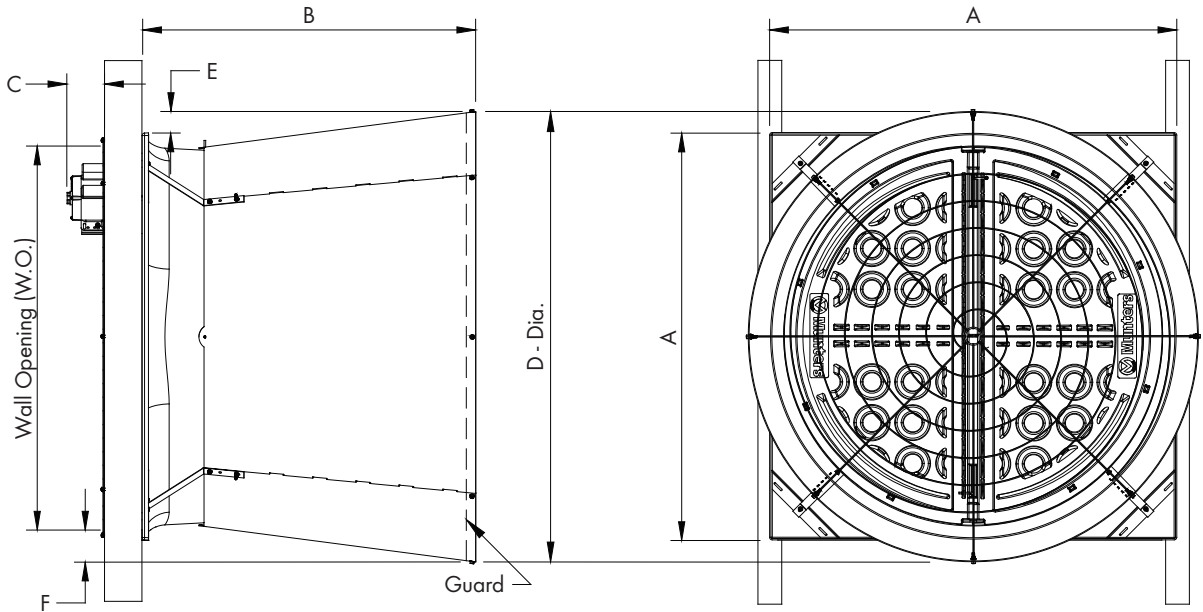
1.2 Fan dimensions

Fan Specifications: 60Hz shown (50Hz available)

Power: 115/230 VAC* or 208-230/460 VAC

Phase: 1 or 3

*Available voltages vary depending on HP



Dimensions:

Size	A	B	C*	D - Dia.	E	F	Wall Openings
36"	48"W. x 48"H.	40"	6½"	48¾"	1¾"	1¾"	44½"W. x 44½"H.

*Dimension varies depending on wall construction and motor configuration.

1.3 Tools required for installation

- 10mm [¾"] Socket
- 13mm [½"] Socket
- 17mm [1⅛"] Socket or Wrench
- 27mm [1⅛"] Wrench
- 36mm Socket or Wrench
- ⅝" Socket or Wrench
- ⅞" Socket
- Phillips Screwdriver, #3 Size
- ⅛" Drill Bit
- ⅝" Hex Wrench
- Wire Cutting Pliers

Installation Instructions

2.

2.1 Wall framing

Step 1

Construct framed opening to correct size according to the Wall Opening listed in chart A below. See Figure 1A and 1B. When installing exterior sheet metal before fan, leave 2" of the framing exposed on all sides so the orifice can mount flush to the frame.

Chart A

Fan Dia.	Wall Opening (W. x H.)	Minimum Spacing 'Z'	Center To Center Dimension
36"	44½" W. x 44½" H.	12" recommended; 3½" minimum	48" Minimum

Note:

Damper doors should be carefully set aside out of direct sunlight until needed.

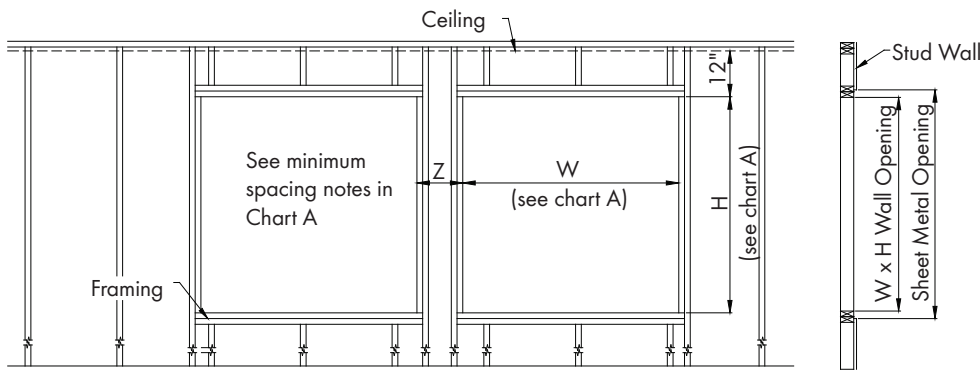


Figure 1A Frame Construction

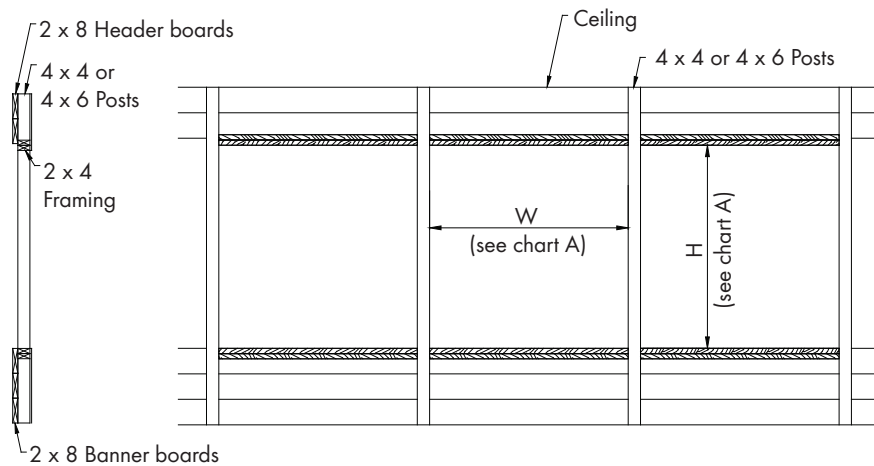
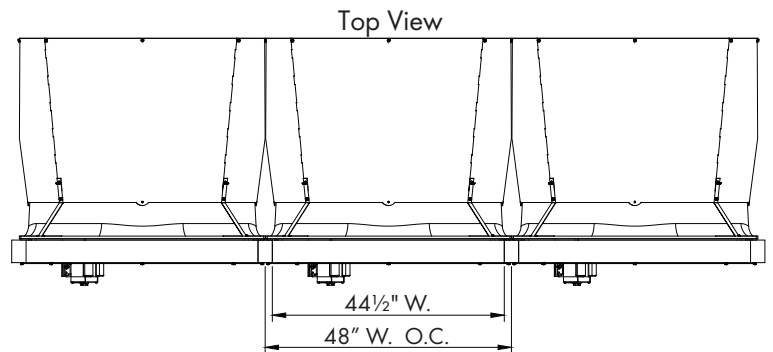


Figure 1B 4 x 4 Post Construction - Elevation View

2.2 Fan Assembly

Step 2

Place tube strut on saw horses or a flat work surface. The large center hole should be pointing horizontally. Attach the Motor Base Bracket and the Belt Tensioner Bracket to the Tube Strut using (3) Long Bolts [CC], (2) Washers [EE] and (3) Nuts [DD]. The Motor Bracket and the Tensioner Bracket share the middle hole.

See Figure 2A.

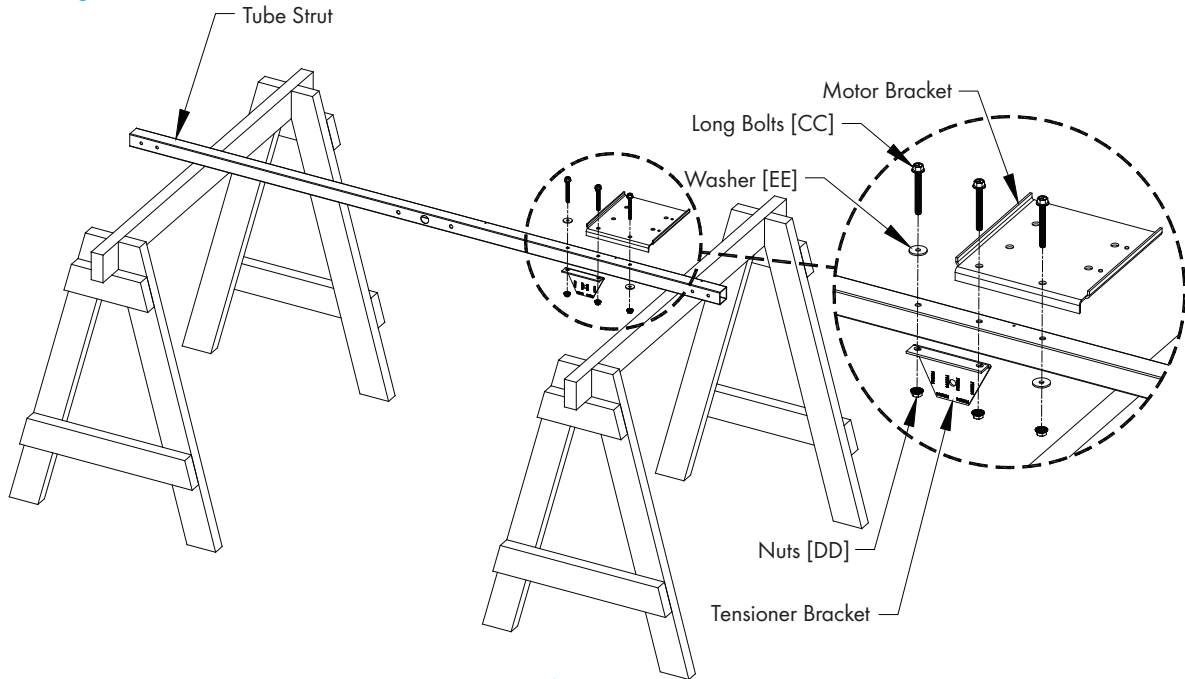


Figure 2A

Step 2B

Attach the 3" Idler Pulley to the Tensioner Arm using Bolt [X]. Then attach the Tensioner Arm assembly to the Tensioner Bracket using Bolt [J] and Washer [K]. Finger tighten only at this time. See Figure 2B. Next attach the Specification Label to the Tube Strut as shown, and then mark the box for the appropriate model fan.

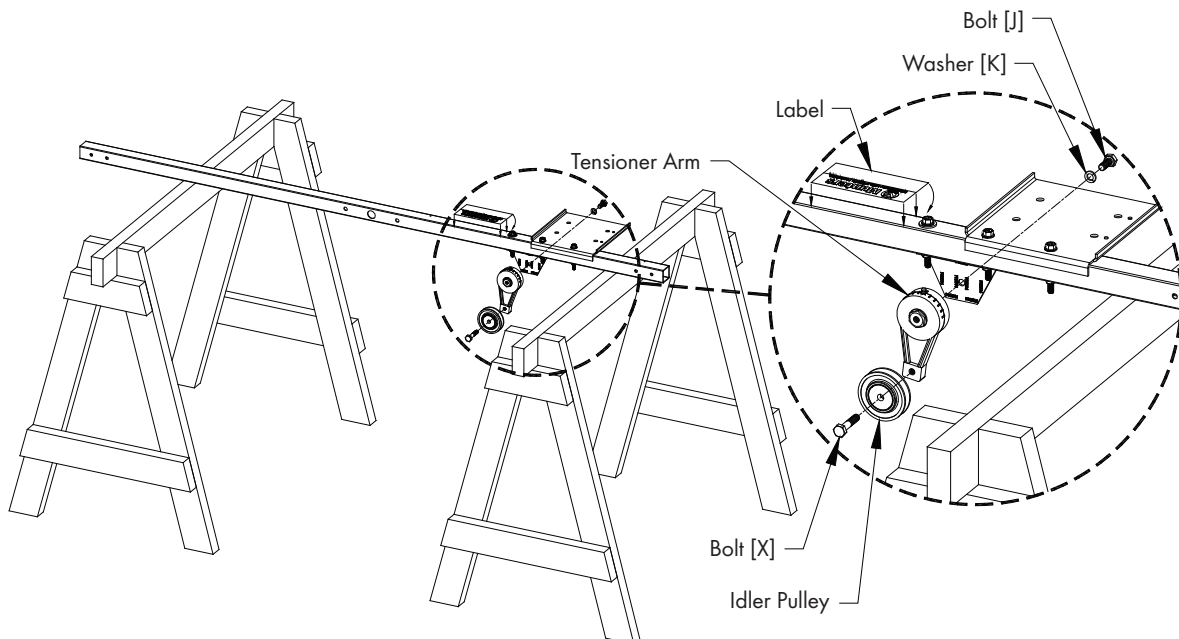


Figure 2B

Step 3

Attach Prop Sheave to Hub using (4) Bolt [F], Washer [G] and Nut [H]. See [Figure 3A](#). Attach Prop Adapter to Prop Sheave/Hub Assembly using (4) Bolt [C], Washer [D] and Nut [E]. See [Figure 3B](#).

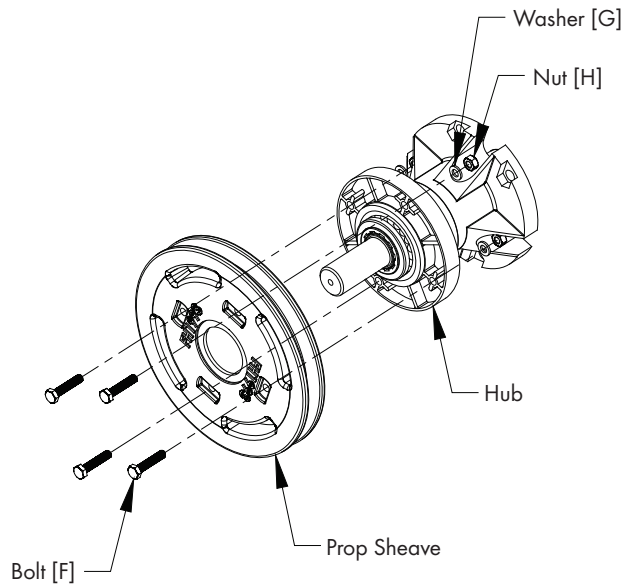


Figure 3A

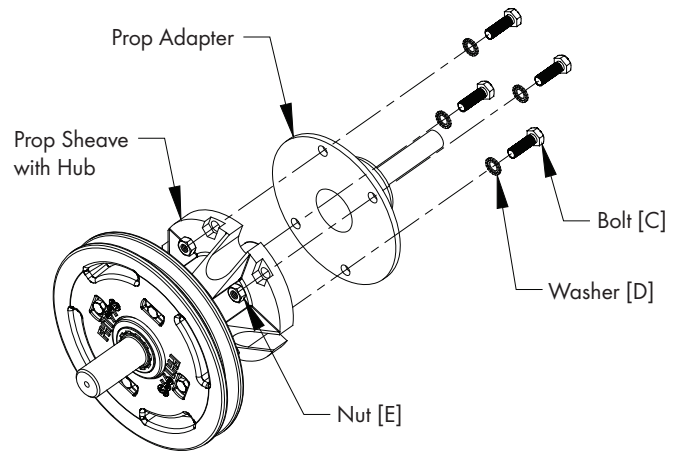


Figure 3B

Step 4

Rotate Tube Strut on saw horses so Motor Bracket is pointing up. Slide Shaft Shield [M] over hub shaft as shown in [Figure 4](#). Attach Sheave/Hub Assembly to Tube Strut using (1) Hex Nut [L] and tighten to 52 ft-lbs [70 N-m] torque. See [Figure 4](#). Place Plastic Cover Cap [N] over Hex Nut and fasten in place with (1) Tapping Screw [B]. See [Figure 4](#). Set aside the Strut Assembly for use in a later step.

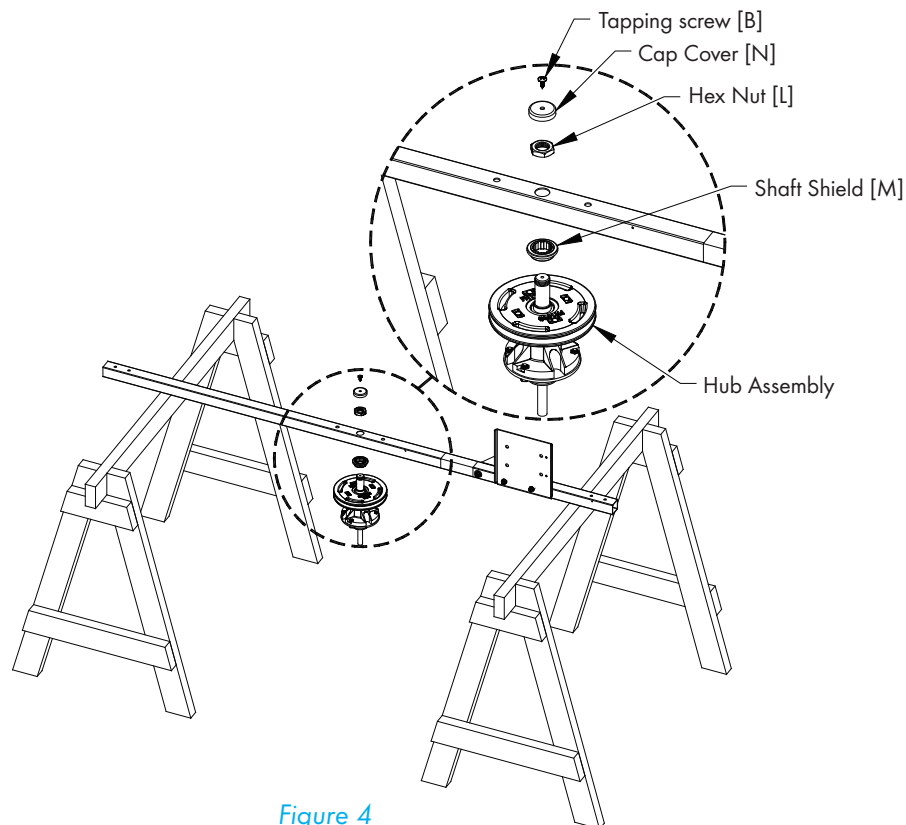


Figure 4

Step 5

Place Orifice Panel on saw horses with the round orifice pointing up and place (1) Cone/Strut Mounting Bracket in each corner of the Orifice Panel. See Figure 5.

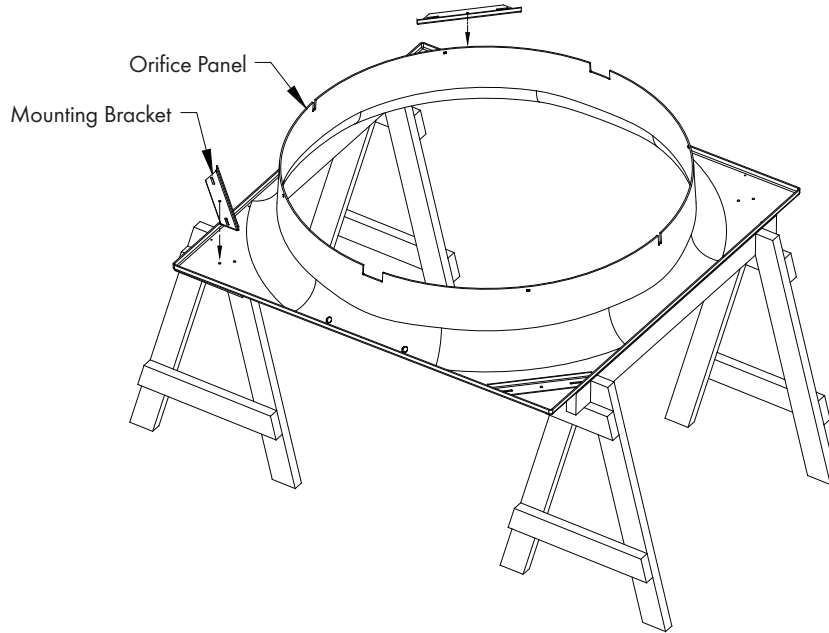


Figure 5

Step 6

Corners of Orifice Panel with 2 holes are corners where Strut Assembly attaches. Secure Strut Assembly using (4) Long Bolts [CC], (6) Washers [EE] and (4) Nuts [DD]. In the opposite corners attach Cone/Strut Mounting Bracket to the orifice using (1) Short Bolt [AA], Washer [EE] and Nut [DD]. See Figure 6.

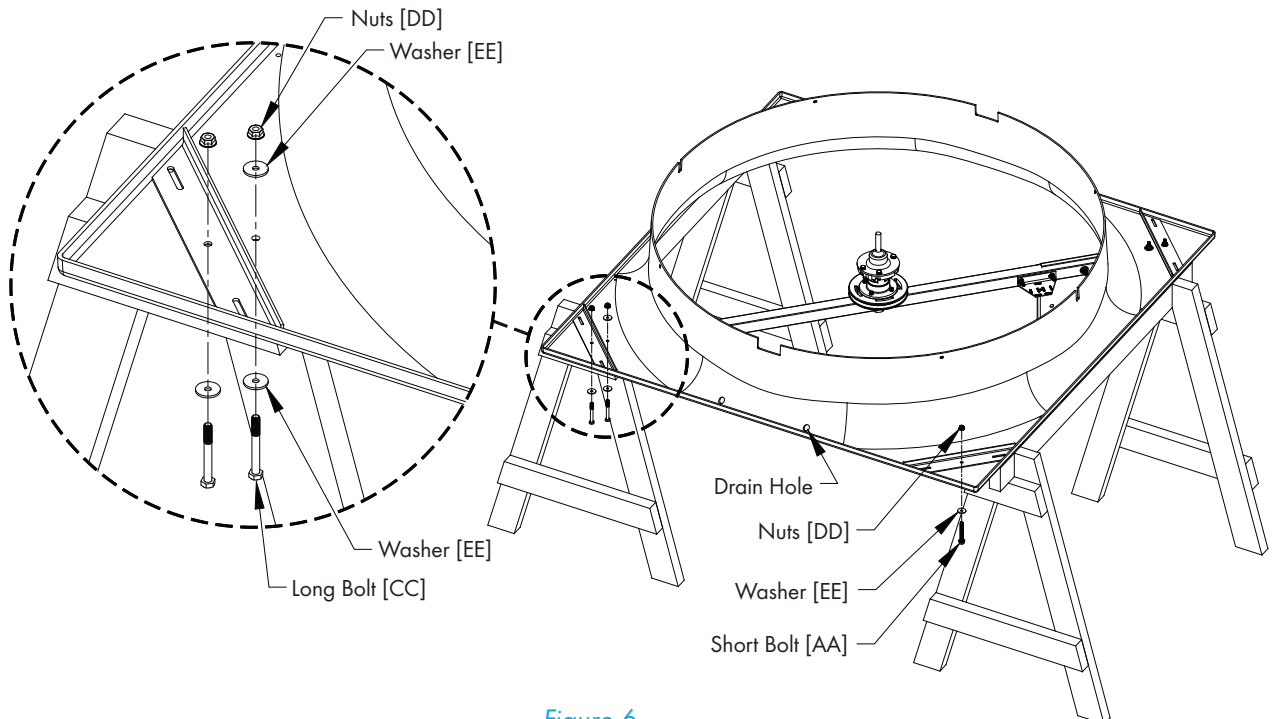


Figure 6

Step 7

Place Propeller on Prop Adapter Shaft so the Set Screw is lined up with the flat side of shaft. Adjust Propeller so that $\frac{3}{4}$ " of the shaft is showing above the Propeller and fasten Propeller in place by tightening Set Screw to 140 in-lbs [16 N-m] of torque. See Figure 7.

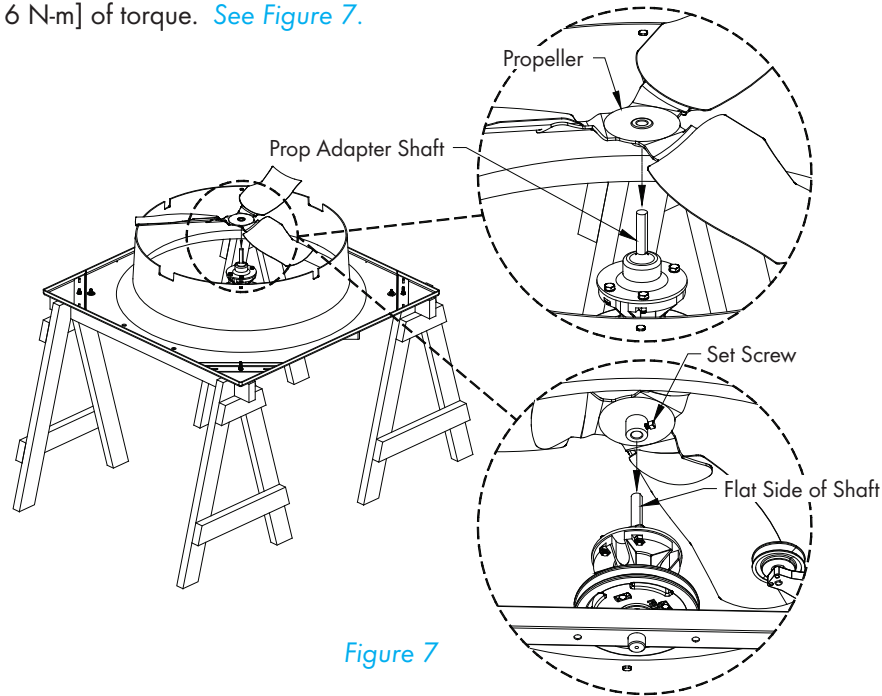


Figure 7

2.3 Damper Door Installation**Step 8**

Slide Main Frame Assembly onto Orifice Panel with pin on Main Frame opposite the drain hole.

See Figure 8A. Line up 4 holes in Main Frame with holes in the Orifice and fasten using (4) TEK Screws [FF]. See Figure 8B.

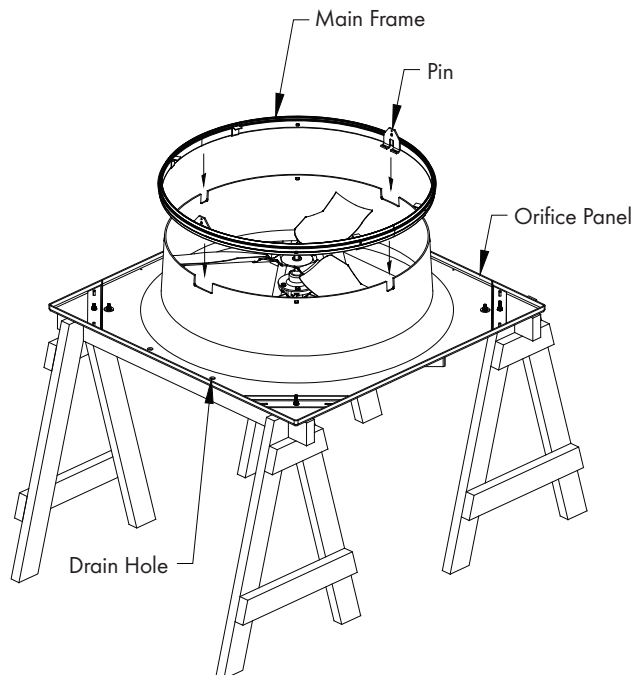


Figure 8A

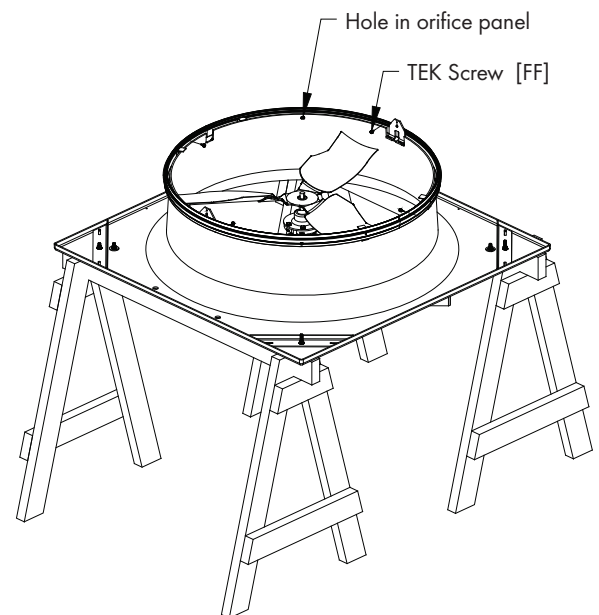


Figure 8B

Step 9

Attach Drip Shield to bottom of framed opening using (3) Barn Screws (Not Provided). See [Figure 9A and 9B](#). If a 4" wall is used a support board must be installed as shown in [Figure 9B](#). Be sure not to deform Drip Shield when installing screws.

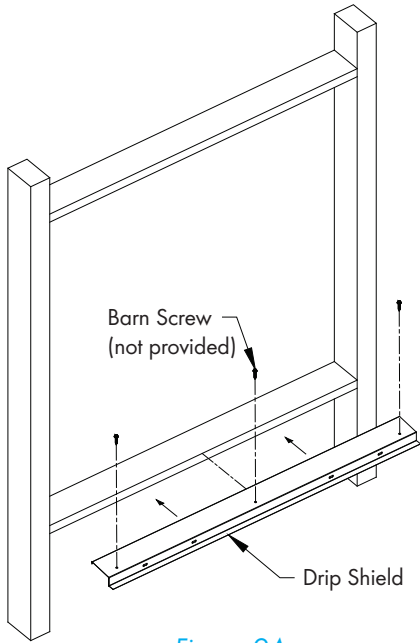
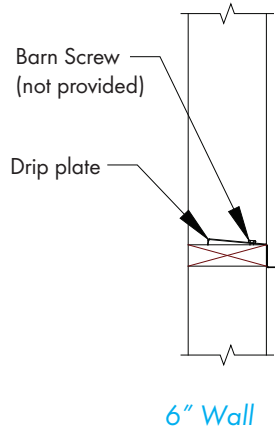
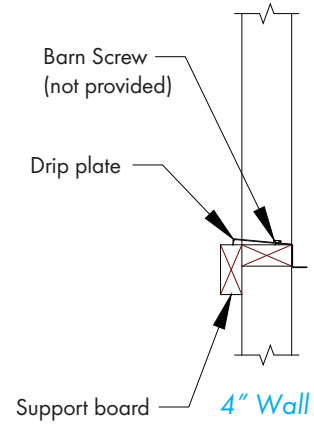


Figure 9A



6" Wall



4" Wall

Figure 9B

Step 10

Locate Drain Hole in Orifice Panel. This is the bottom of the Panel. Set bottom edge of panel on Drip Shield ledge and center panel on opening. Secure Panel to wall using (16) Barn Screws (Not Provided).

See [Figure 10A and 10B](#).

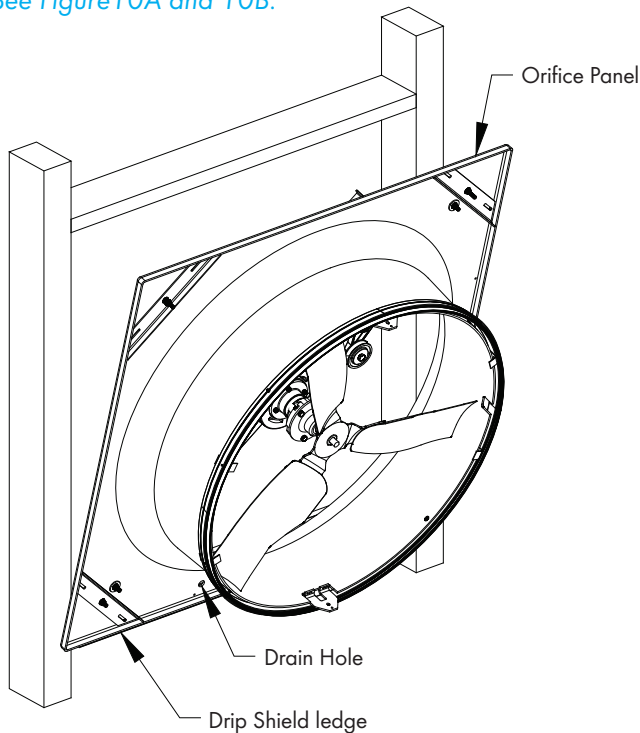


Figure 10A

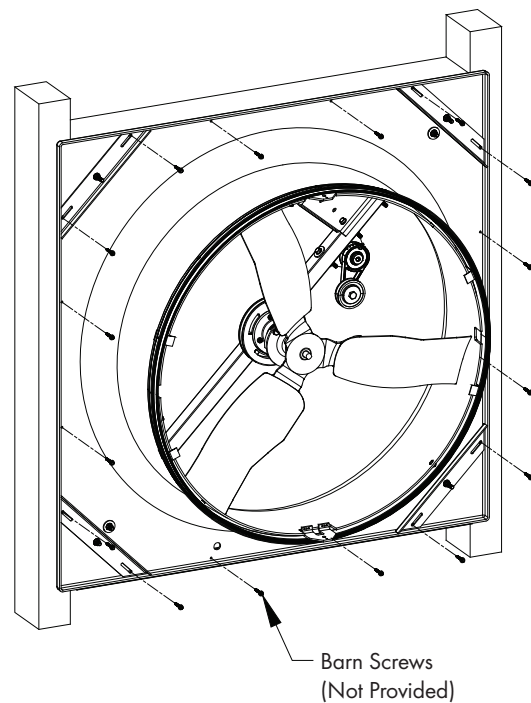


Figure 10B

Step 11

Carefully remove folded door assembly from box. Open doors and lay them flat on solid surface with the Munters Logo down. The Bottom of the doors has the Hinge Pin with the Nylon Washers. For the WM36 and WM54 the Wing sits down in the Groove of the upper right and lower left doors. For the WM36 the Wing will be in the groove centered on the half-circle shape. For the WM54 the Wing will start just after the last spring mounting dimple and follow the Groove. Make sure Wing is seated in bottom of Groove and fasten in place using (3) Seal-Washer Screws [Y] per wing. Make sure Hinge Pins do not fall out. [See Figure 11.](#)

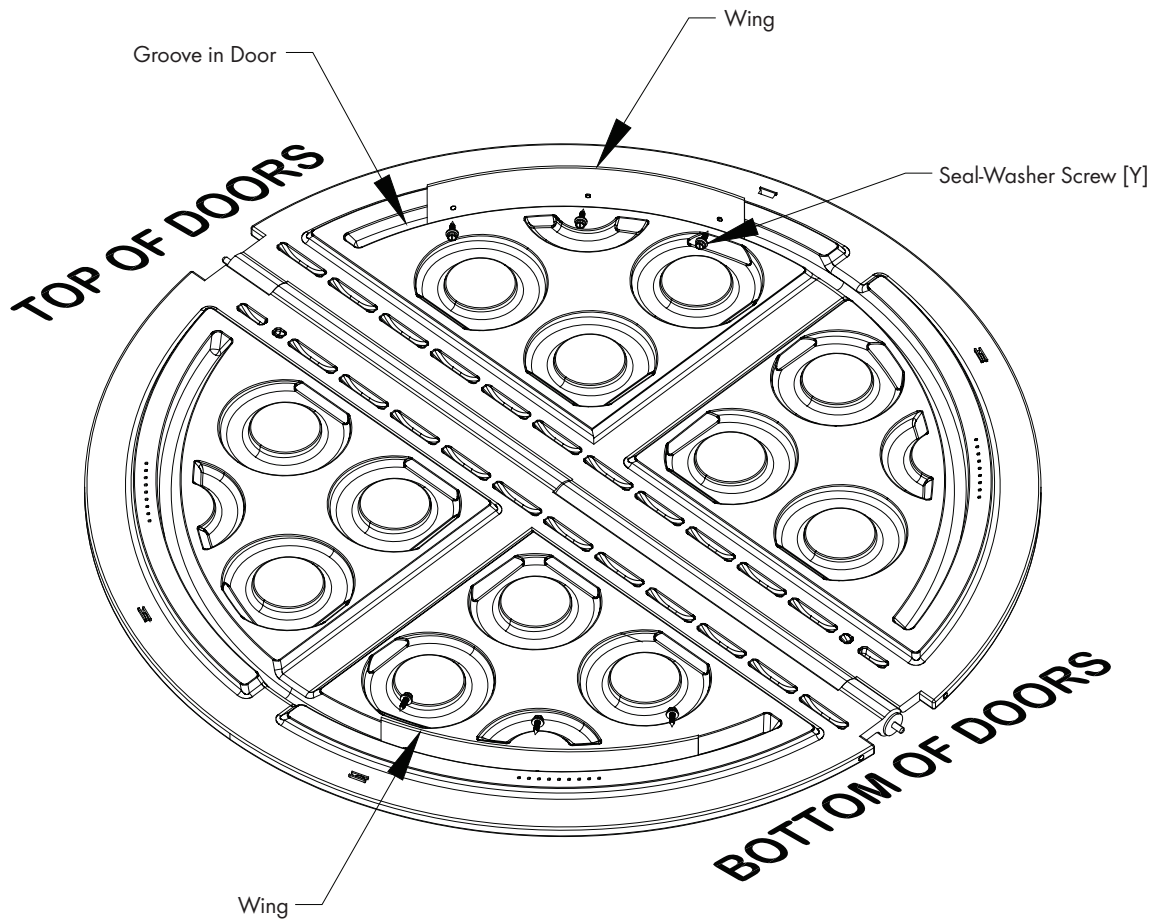


Figure 11

Step 12

Carefully turn doors over and pull upper Latch Pin down until the end is flush with top of doors. Make sure Long Hinge Pin (bottom) does not fall out. See Figure 12.

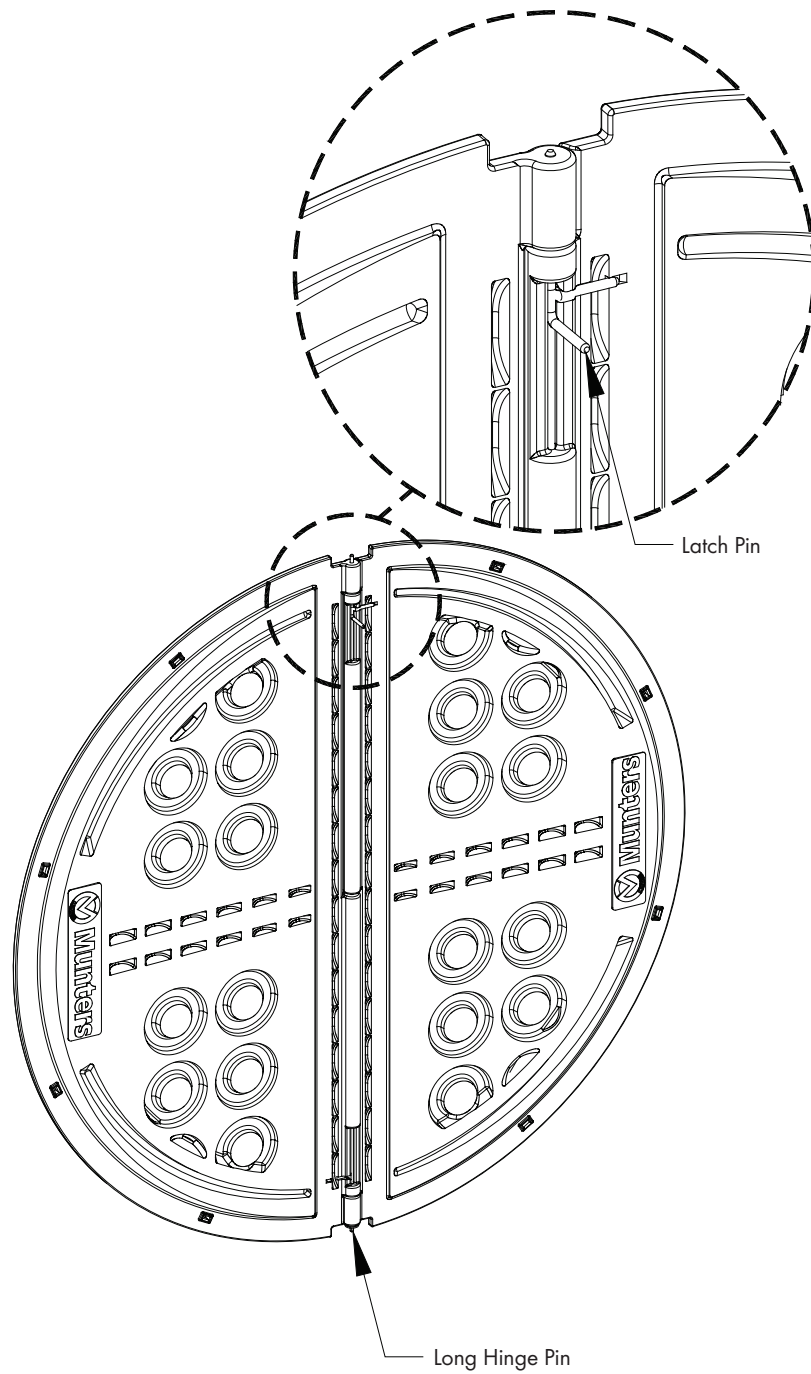


Figure 12

Step 13

Being careful not to let pin fall out, set Doors into Main Frame with Hinge Pin in hole at bottom plate of Main Frame and push top of Doors into place. [See Figure 13.](#)

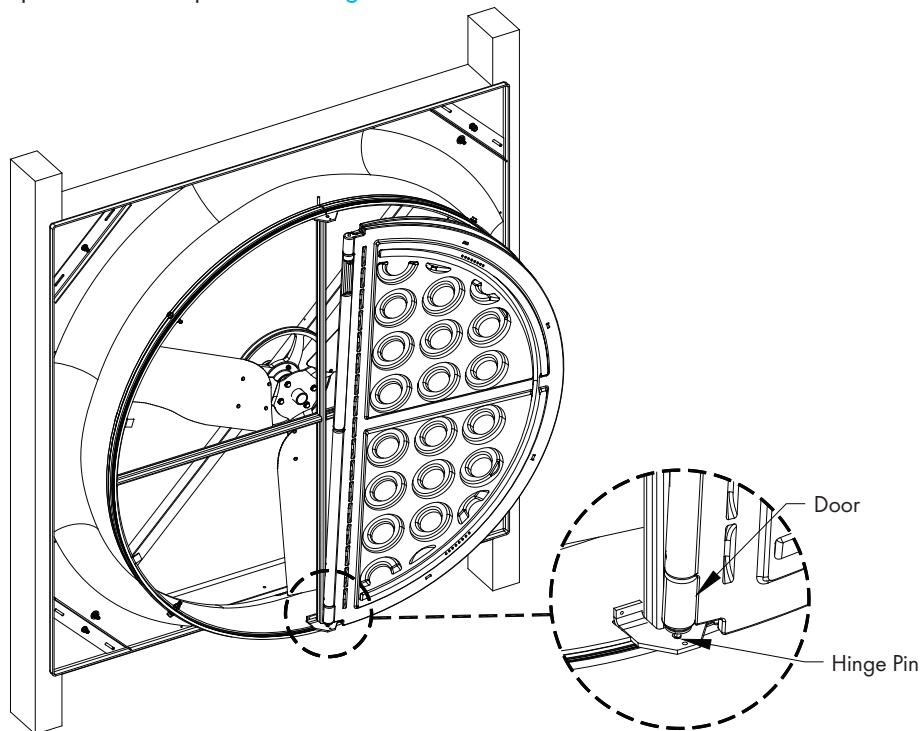


Figure 13

Step 14

Separate doors and push them into closed position. Push Latch Pin up into place, then turn short leg of Latch Pin into recess of door. Secure in place using Seal-Washer Screw [GG] and Flat Washer [HH]. Latch Pin should extend up through upper plate in Main Frame. [See Figure 14.](#)

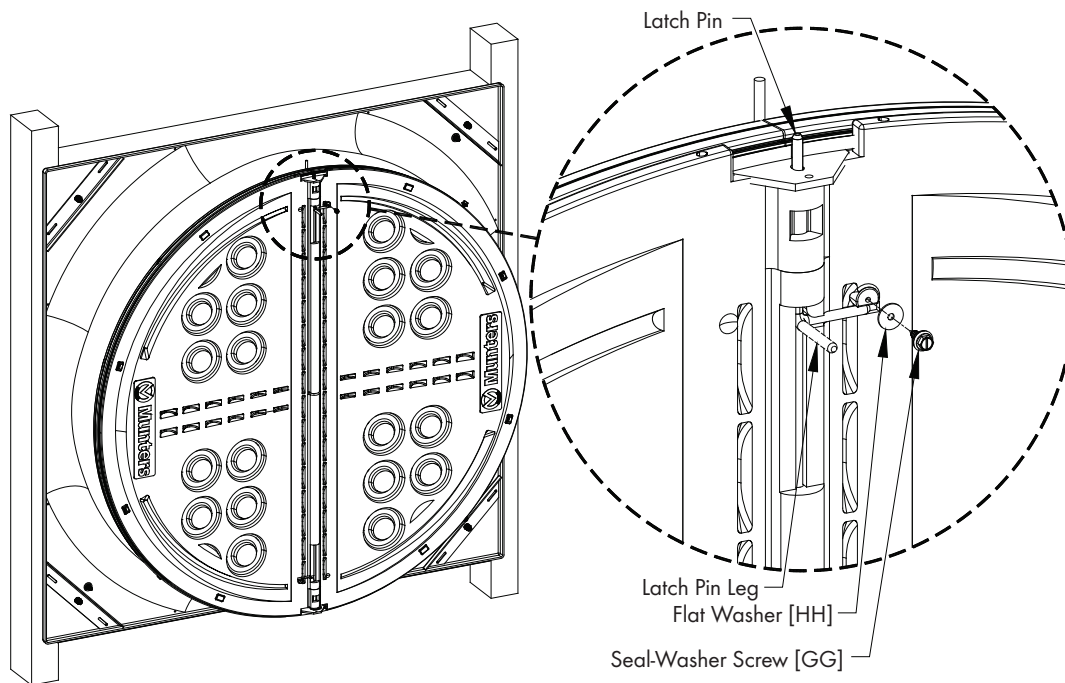


Figure 14

Step 15

Find Coated Cable and insert end opposite ferrule into small hole in upper plate of Main Frame. Pull it through until ferrule stops at the plate. See Figure 15.

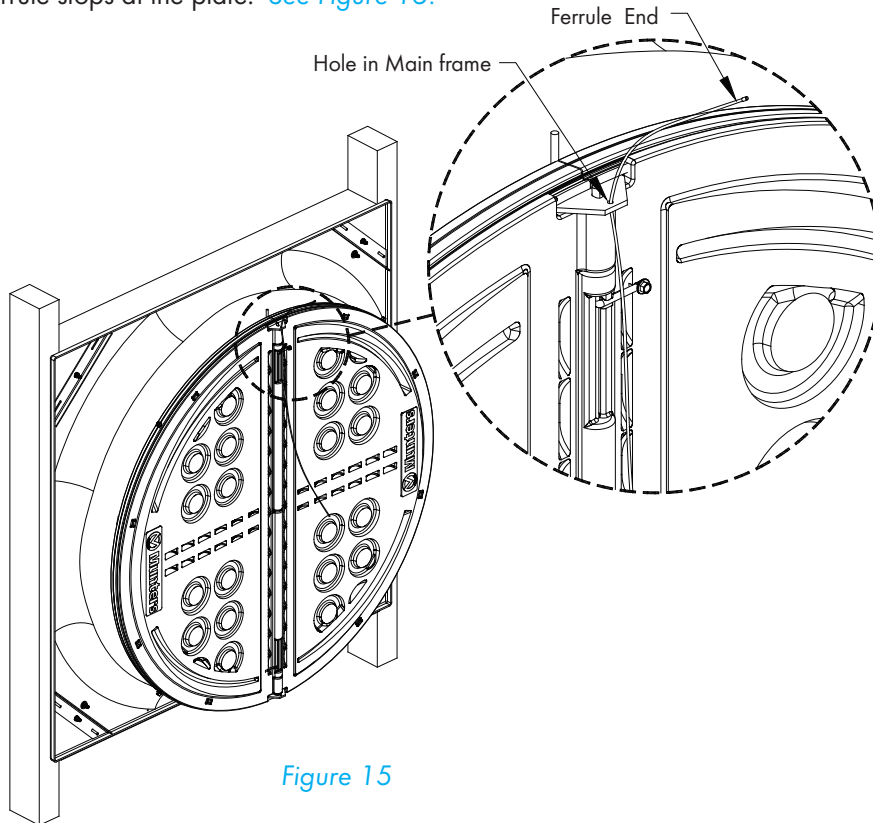


Figure 15

Step 16

On room side of each door drill a 1/8" dia. hole in each door through the 7th dimple in upper left and lower right quadrats (not in the same quadrant as the Wings). See Figure 16.

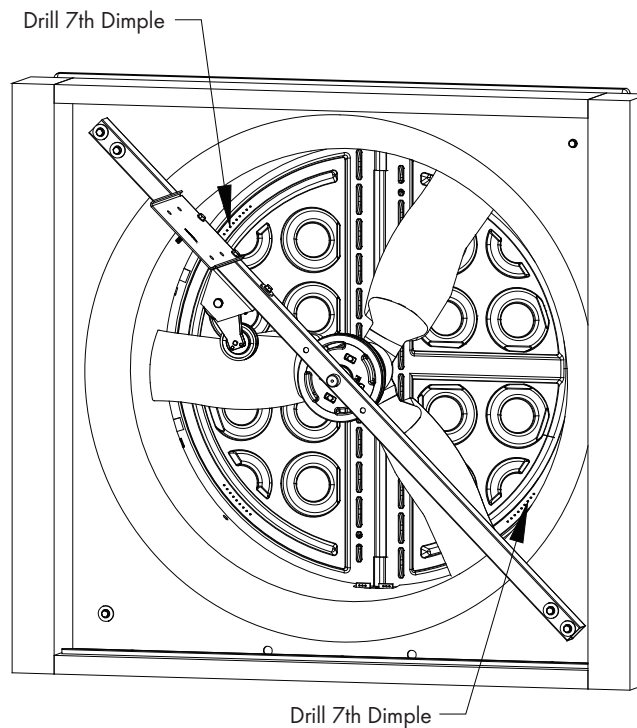


Figure 16

Step 17

From the inside attach S-Hooks [Y] to hole in upper or lower plate of Main Frame, from the door side through the Main Frame toward the outside. Then attach each Tension Spring to S-Hook [Y] using end of spring with Hook. Stretch spring and insert opposite end into hole drilled in door previously. See Figure 17.

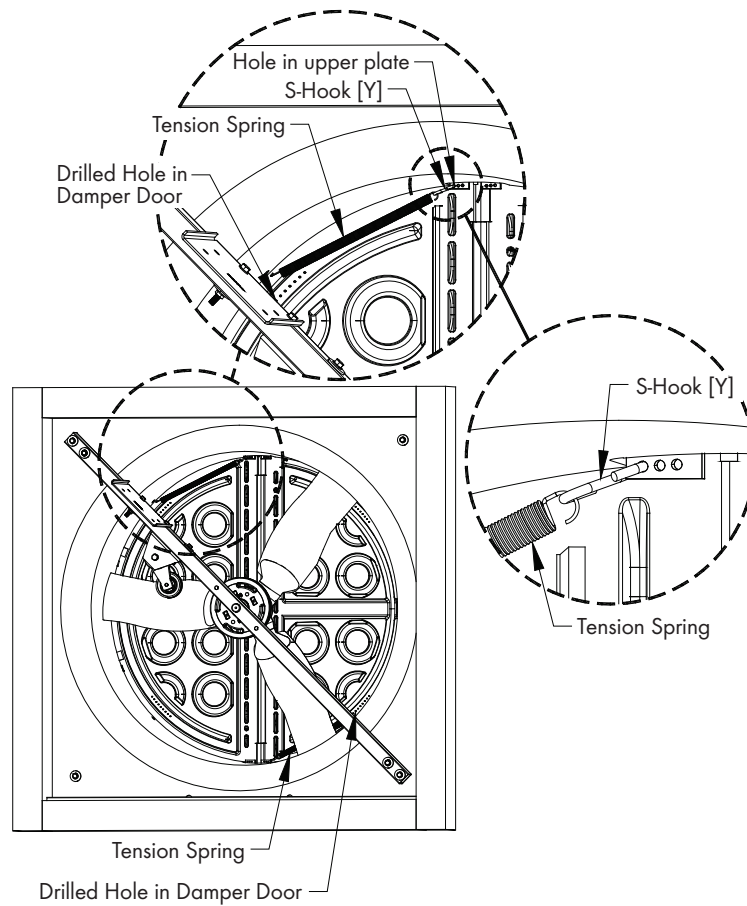


Figure 17

2.4 Cone Installation

Step 18

Place all 4 cone sections on a flat surface with tabs from one facing slots of the next. See Figure 18A. Curl up tab end of first cone section and insert tabs up into slots in the next cone section. A mallet may be needed to seat slots over tabs completely. See Figure 18B. Repeat this step until all 4 cone sections are connected and laying flat.

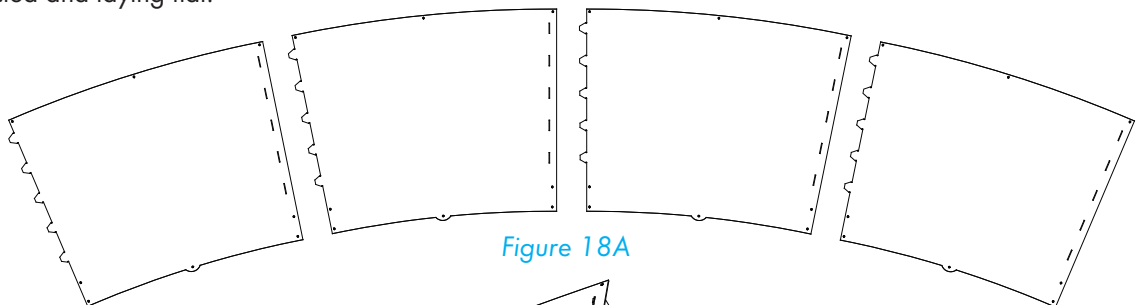


Figure 18A

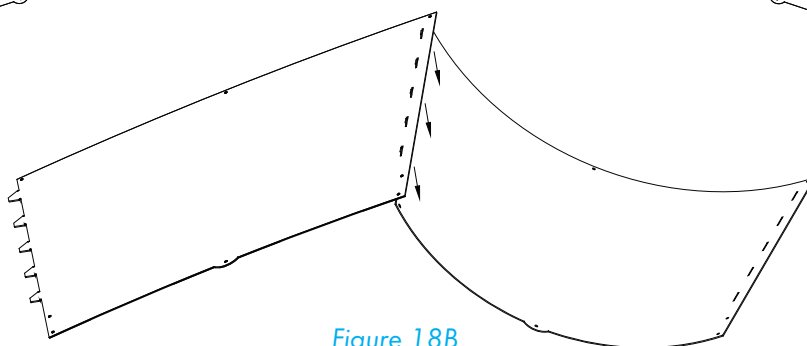


Figure 18B

Step 19A

Fasten each of the joints in the single outer hole using (1) Short Bolt [AA] and Nut [DD], with the nut on the side with the tabs. At the inner pair of holes of each joint attach (1) Cone Support Bracket to the inner hole using (1) Bolt [AA] and Nut [DD] with the bolt head on the side with the tabs. See Figure 19A.

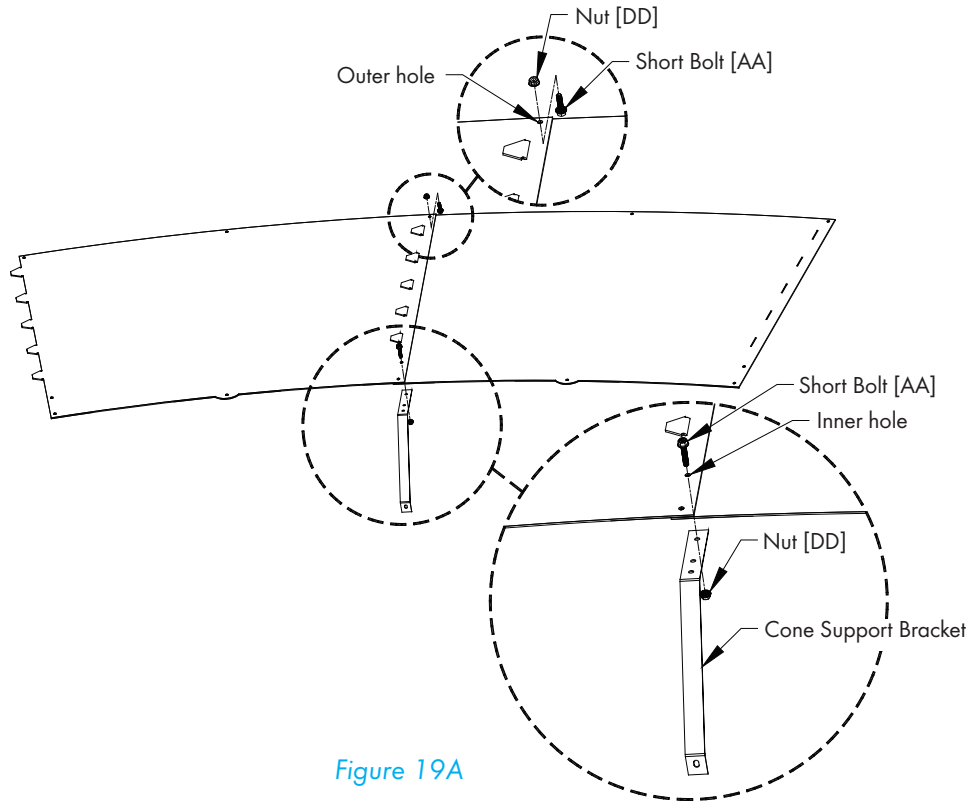


Figure 19A

Step 19B

Stand cone sections on end and curl ends around to form cone with Cone Support Bracket on outside and tabs on inside. Insert remaining tabs into slots so tabs are inside cone and fasten final joint using (1) Short Bolt [AA] and Nut [DD], with nut on inside of cone. At the inner pair of holes attach (1) Cone Support Bracket to the inner hole using (1) Short Bolt [AA] and Nut [DD] with bolt head on inside of cone. See Figure 19B.

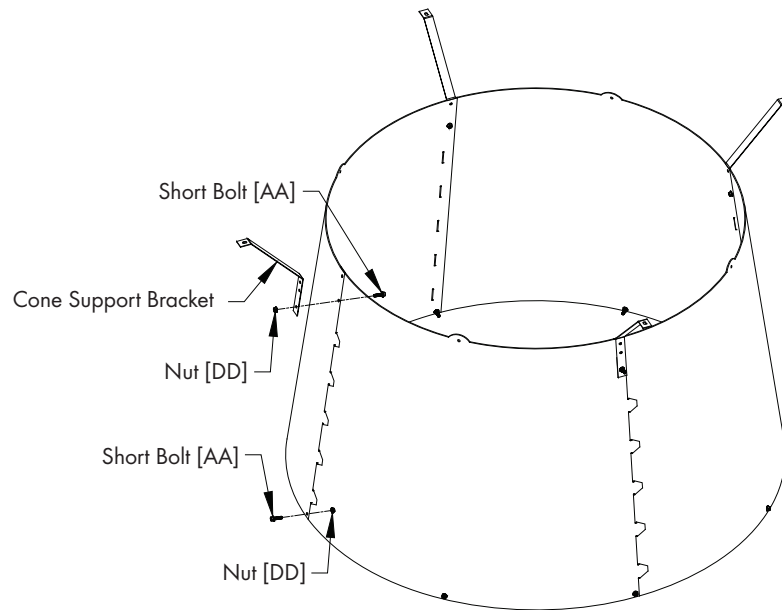


Figure 19B

Step 20A

Install cone onto fan by putting top of cone over top of fan. The hole in tab of one cone section should slide down over the Frame Pin in the Main Frame assembly. Allow remainder of cone to slide over orifice panel making sure cone support brackets remain on outside of cone. See Figure 20A.

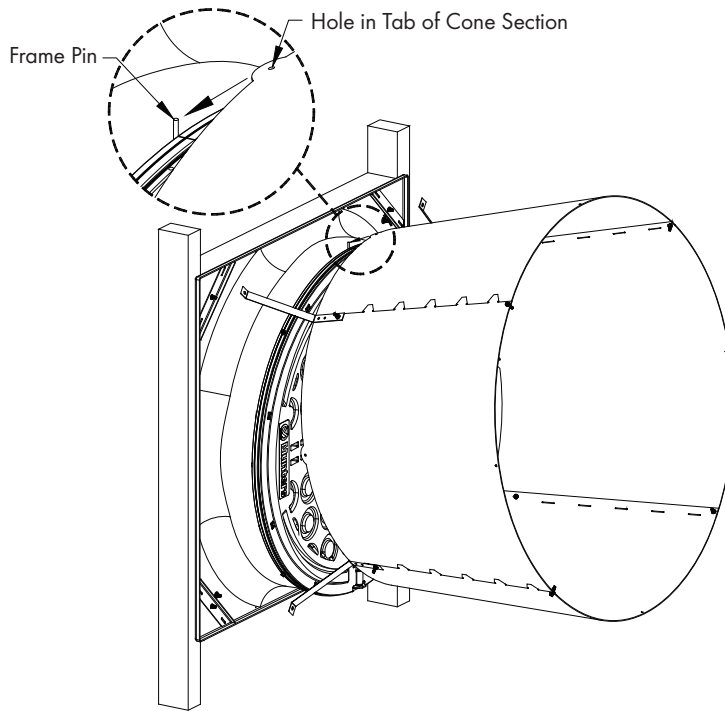


Figure 20A

Step 20B

Place end of Cone Support Bracket with slot over bolt holding Cone/Strut Mounting Bracket to the orifice and secure with Nut [DD]. See Figure 20B. Secure Cone to Fan installing Medium Bolt [BB] through the remaining hole in the Cone Support Bracket and fasten with Nut [DD]. A long screwdriver may be needed to help align the holes through Cone Support Bracket, Cone, Main Frame and Orifice. Repeat process for all 4 Cone Support Brackets. See Figure 20B.

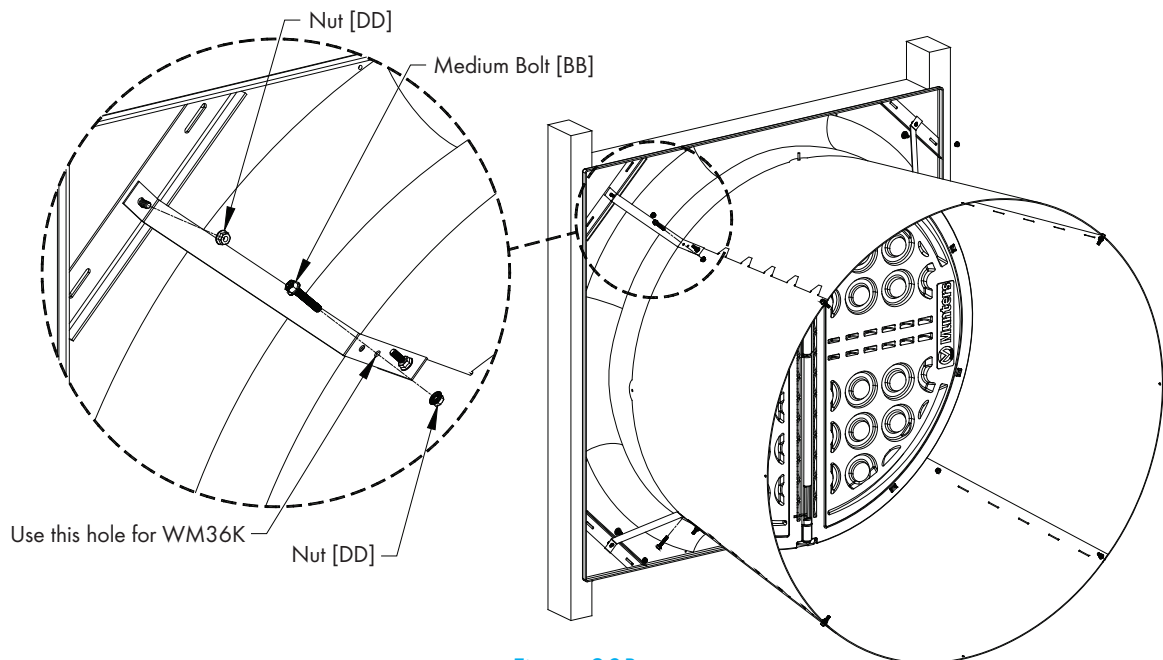


Figure 20B

Step 21

Insert guard into cone with the eyelets facing you. Install eyelets over bolts already installed in cone and fasten with Nut [DD]. Secure remaining eyelets using Short Bolt [AA] and Nut [DD]. See Figure 21.

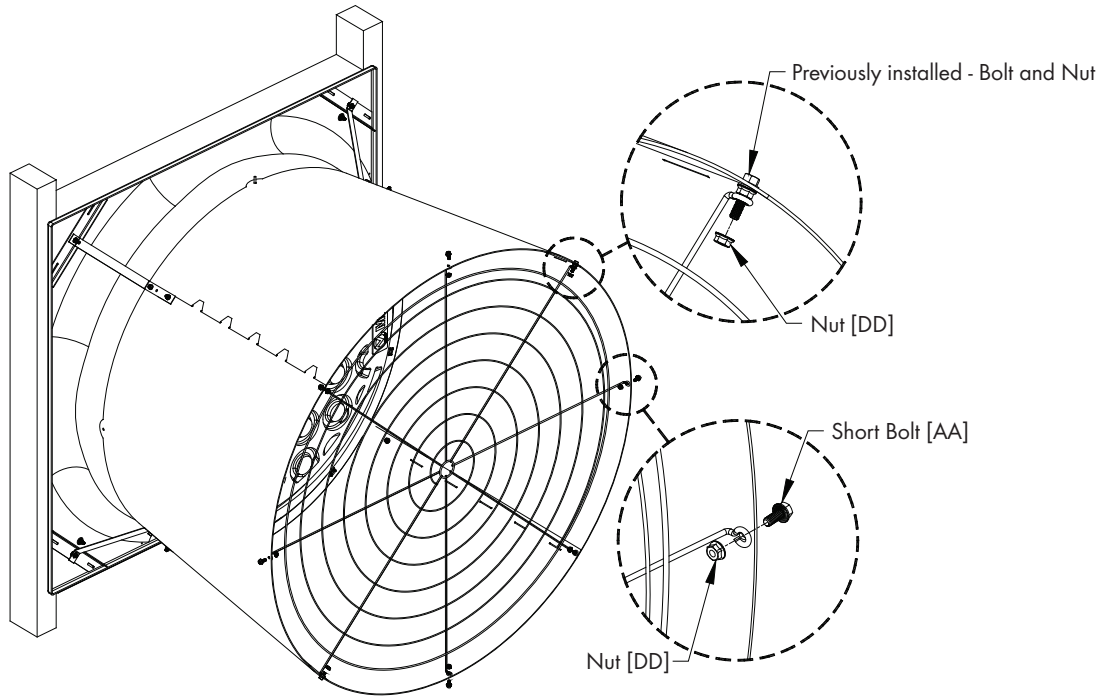
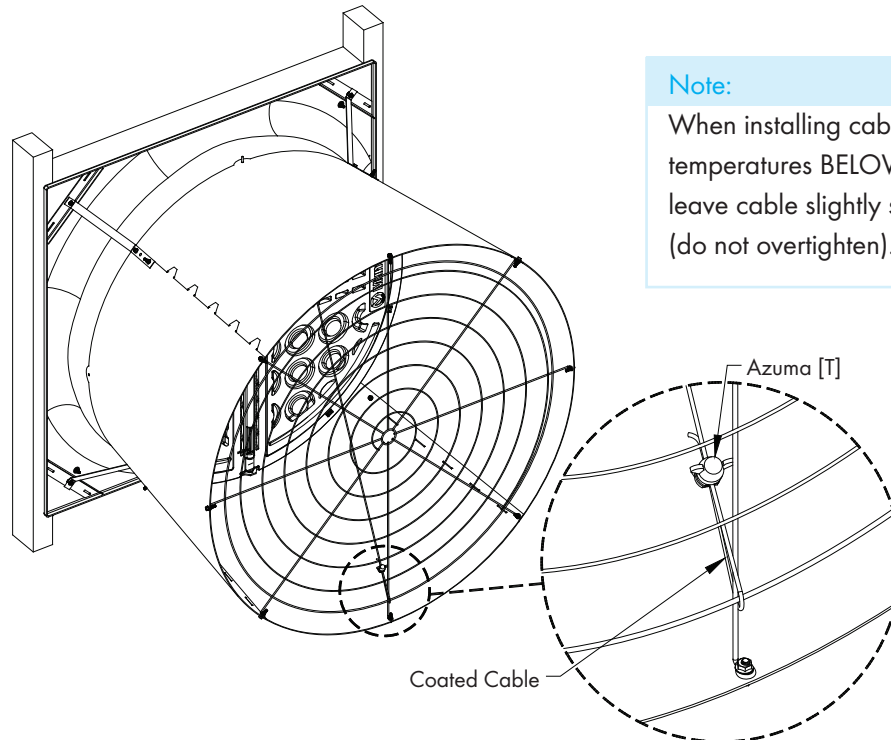


Figure 21

Step 22

Loop Coated Cable that was installed in a previous step, around the lower, middle joint in guard and fasten to itself with Azuma Bolt and Nut [T]. Make sure cable is pulled snug. See Figure 22.



Note:
When installing cable in temperatures BELOW 60°F, leave cable slightly slack (do not overtighten).

Figure 22

Step 23

If Fans are to be installed 60" O.C., cut the 3 o'clock and 9 o'clock guard wire in the position shown. Push the side of the cone in as far as possible and fasten the cut guard wire to the attached guard wire using Clamp [JJ]. See Figure 23.

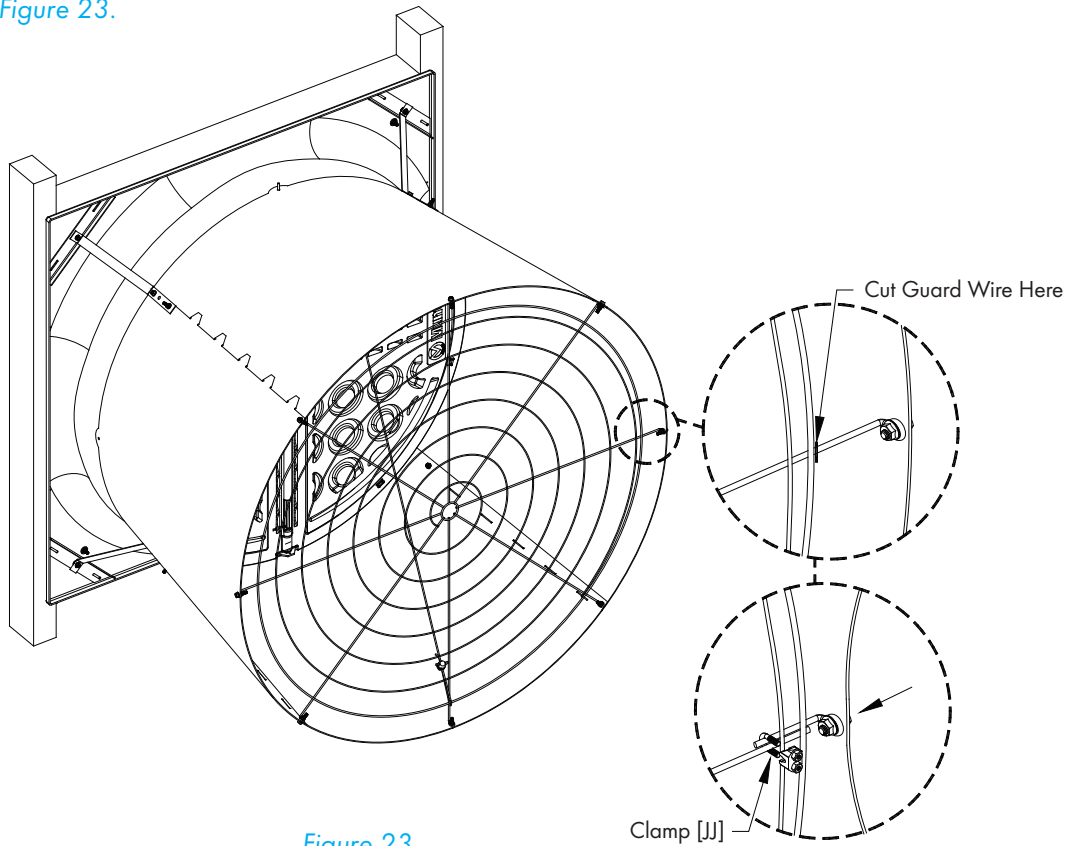
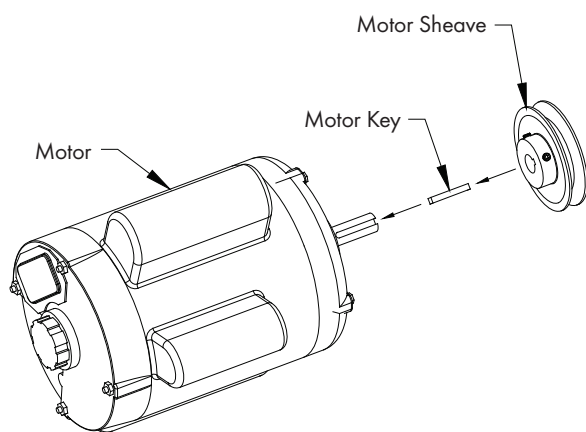


Figure 23

2.5 Motor Mounting**Step 24**

Find the Key provided with the Motor and place it in the Keyway on the motor shaft. Place the Motor Sheave on the Motor shaft with the hub facing towards the motor. See Figure 24. ONLY tighten the set screw enough to hold the Sheave in place at this time.

**Note:**

When wiring motor, check rotation of propeller. Internal wiring of motor may need to be changed to assure proper rotation of propeller.

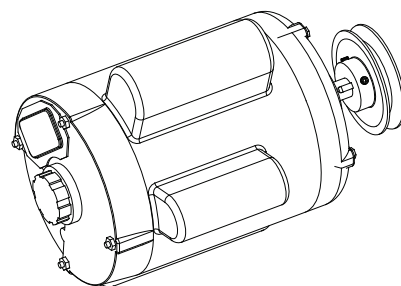


Figure 24

Step 25

Set Motor on Motor Bracket so Motor base rests against lower Motor Bracket flange. Align middle and front slots in Motor base with holes in Motor Bracket. See Figure 25.

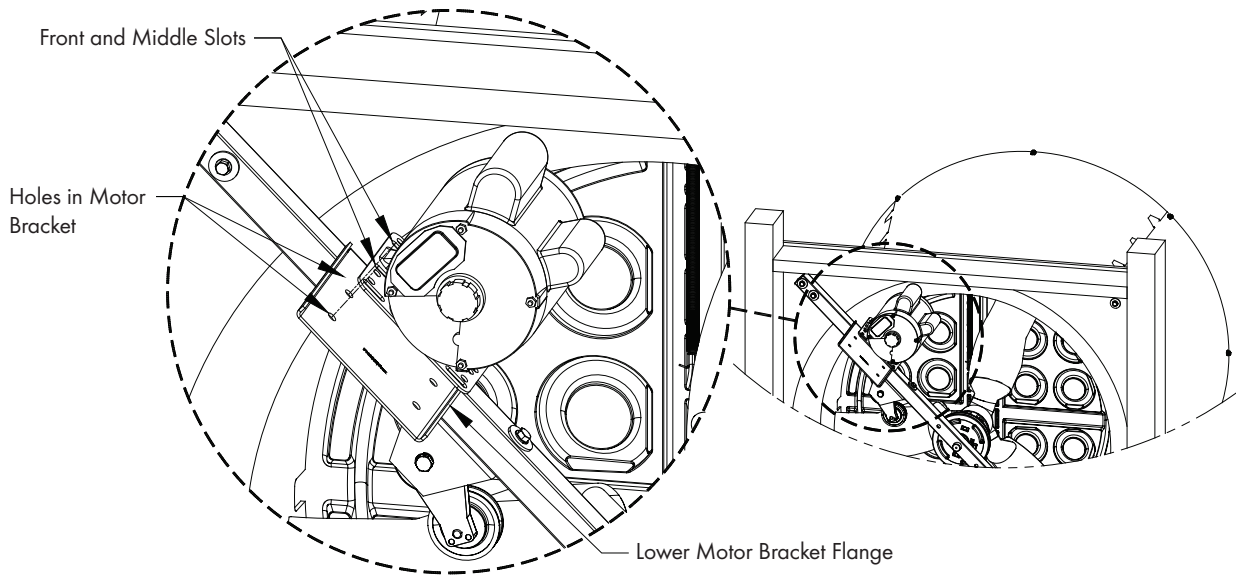


Figure 25

Step 26A

Secure Motor to Motor Bracket and Motor Bracket Stiffener using (4) Short Bolts [AA] and Nuts [DD]. The rear upper bolt is where Motor Bracket Stiffener is attached. See Figure 26A.

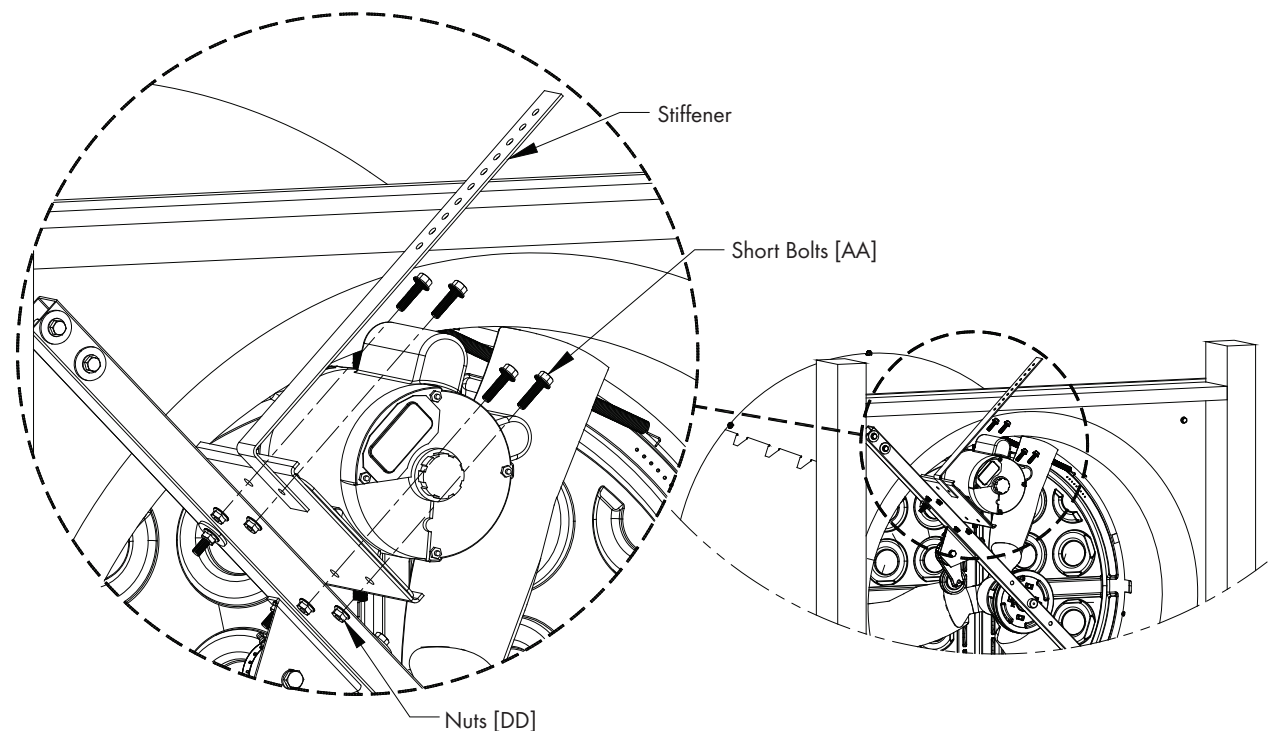


Figure 26A

Step 26B

Using channel locks and/or a hammer twist the Motor Bracket Stiffener so that the holes in the bracket lay flat against the framing. Then attach Stiffener to framing using (1) Lag Screw [LL]. See Figure 26B.

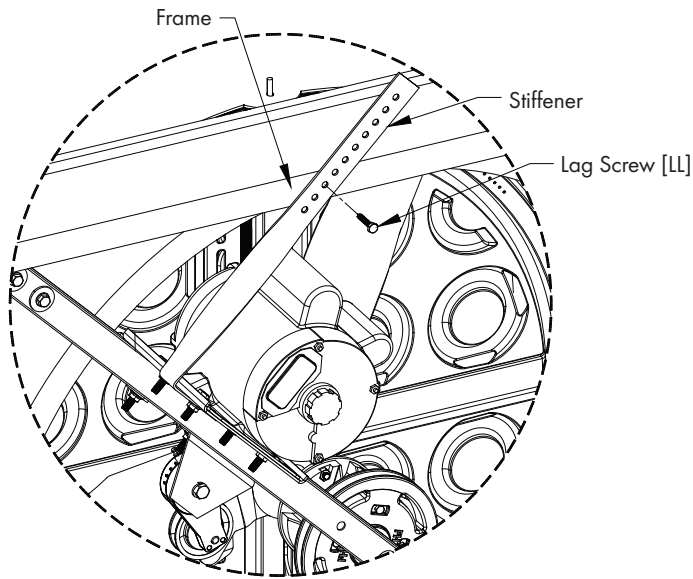


Figure 26B

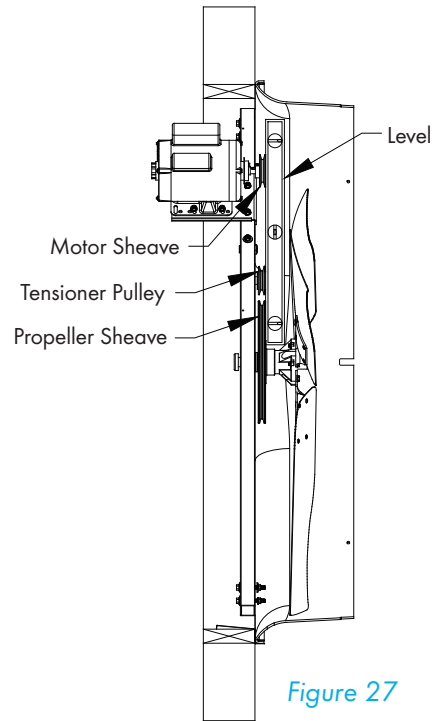


Figure 27

Step 27

Use a straight edge or level to check alignment of Propeller Sheave, Tensioner Pulley and Motor Sheave. If needed, adjust position of Motor Sheave so the 3 pulleys line up. Once Motor Sheave is aligned tighten the set screw to 75 in-lbs [9 N-m] torque. See Figure 27.

Step 28A

Slide V-belt over Propeller and install by wrapping it around 2 smaller pulleys and starting it over larger Sheave. Continue rolling it onto the larger Sheave until it fits into groove. See Figure 28A.

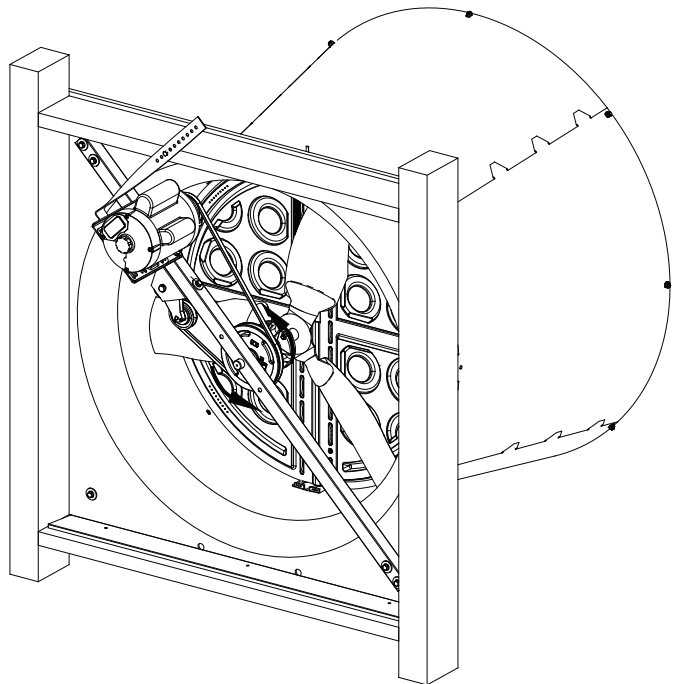


Figure 28A

Step 28B

To adjust belt tensioner to proper setting, loosen 10 mm bolt (using 17mm end wrench) to allow tensioner arm to rotate. Working from inlet/motor side of fan, place a 27 mm (1 1/8") wrench onto the hex on the tensioner. Turn wrench clockwise until the single mark on base of belt tensioner is aligned with the Mark 3 on tensioner arm. Hold tensioner at this setting and tighten the 10mm bolt to 40 ft.-lbs [54 N-m] torque. See Figure 28B.

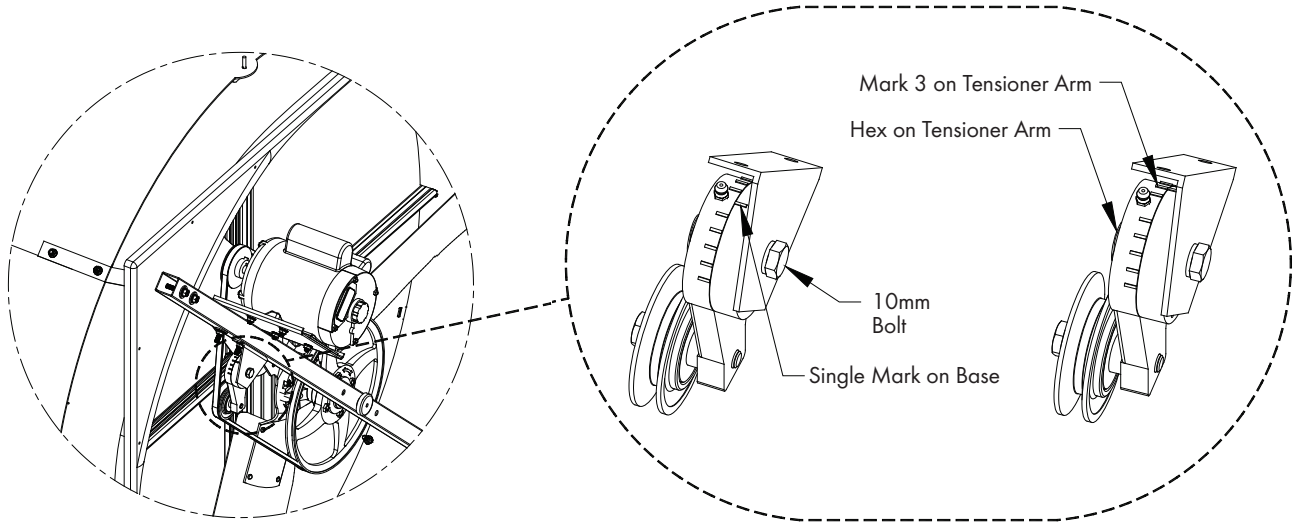


Figure 28B

Step 29A

Cut a section of the inlet guard out to fit over the motor as shown below for the appropriate fan. When cutting the guard wires make sure to cut them as close to the other wires as possible. See Figure 29A.

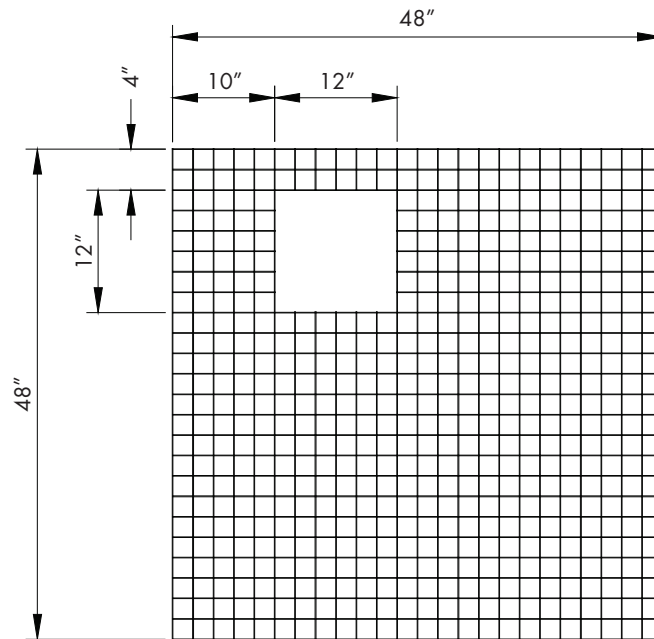


Figure 29A

Step 29B

Place guard against framing and fasten guard in place using (8) Shutter Clips [R] and Barn Screws (not provided), 2 per side. See Figure 29B.

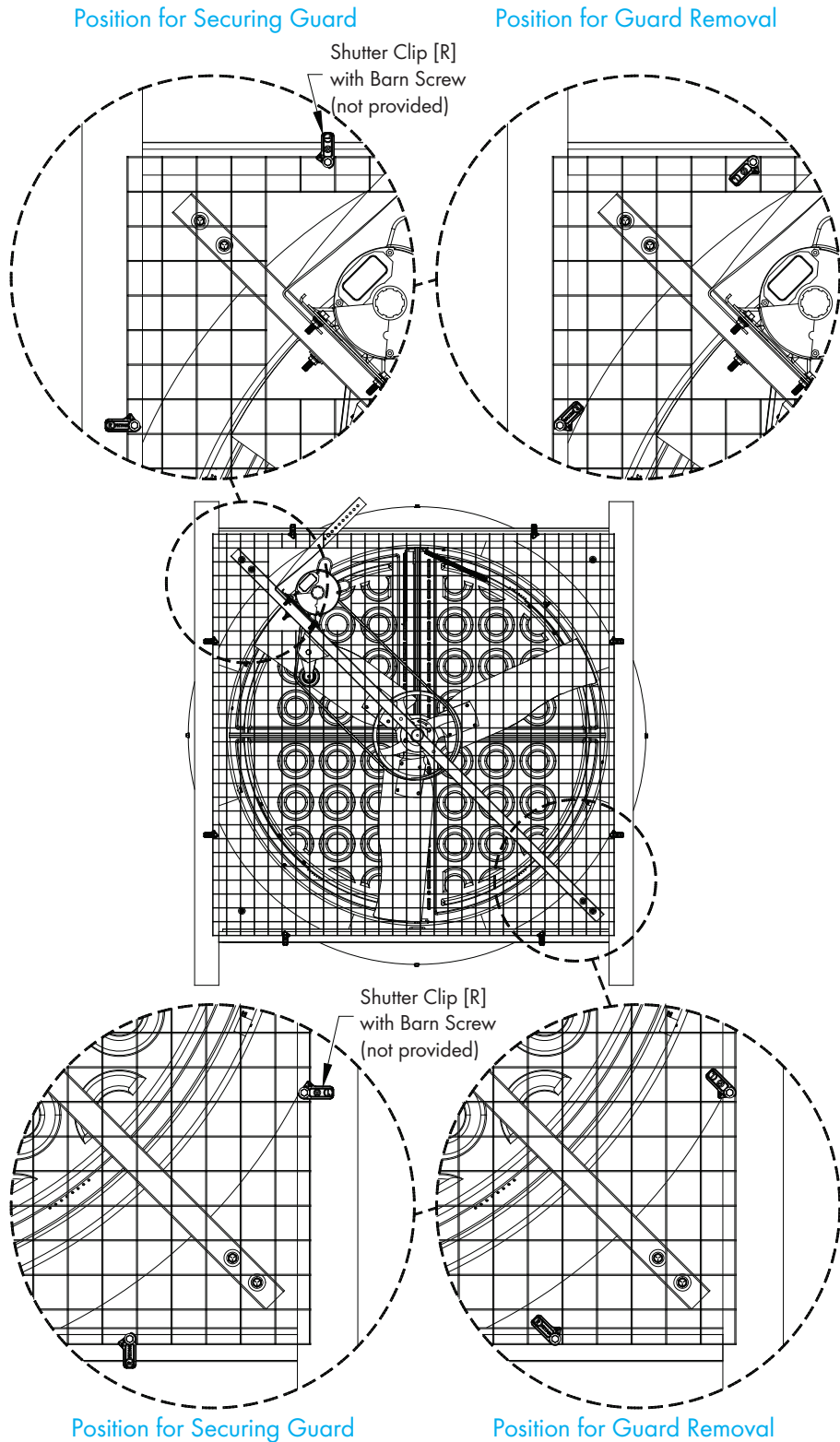


Figure 29B

All wiring should be installed in accordance with National, State, and Local electrical codes. Fans used to ventilate livestock buildings or other rooms where continuous air movement is essential should be connected to individual electrical circuits, with a minimum of two circuits per room. For electrical connection requirements, refer to diagram on motor nameplate and to information enclosed with the Munters environmental control to be used. After wiring check for proper motor rotation.

Single Phase Fans: motor overload protection should be provided for each fan. A Circuit Breaker Switch or slow blow motor type fuses must be used, *See Figure 30A. See form QM1400 for proper size.*

Three Phase Fans: motor overload protection should be provided for each fan. A three-pole motor starter or slow blow motor fuses must be used. *See Figure 30B.*

If a frequency drive (inverter) is used, confirm that motors are rated for inverter duty at the voltage used. Shielded power cable between frequency drive and each motor is highly recommended. Installation of line reactors is recommended to reduce voltage spikes and harmonic distortion. Supplemental motor overload protection is also recommended.

NOTE: A safety cut-off switch should be located adjacent to each fan.

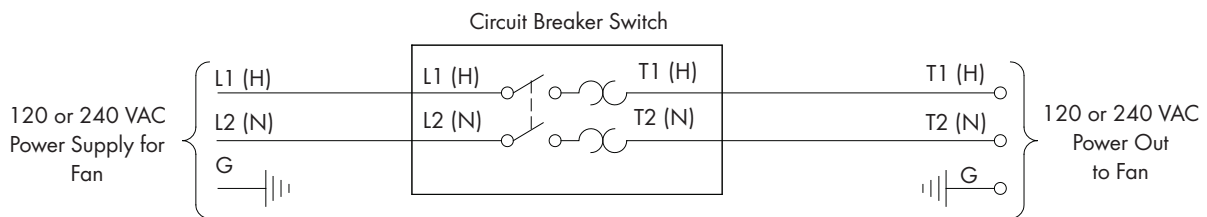


Figure 30A

Single Phase - Motor Overload Protection with Disconnect (SY2000 or Equivalent)

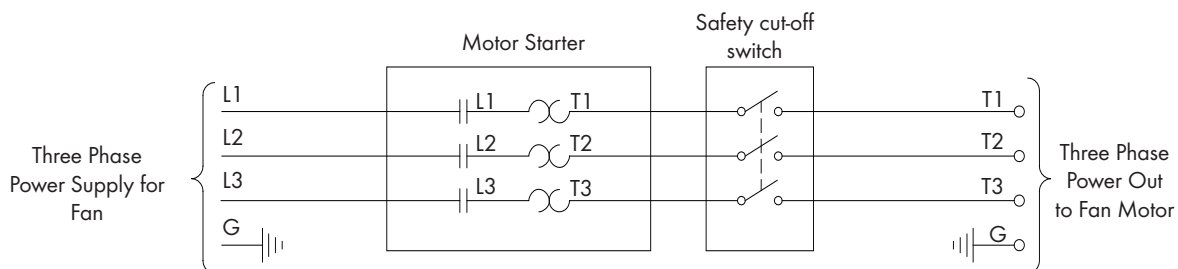


Figure 30B

Three Phase - Motor Overload Protection with Disconnect

KEY:

- L1=Line 1
- L2=Line 2
- L3=Line 3
- H=Hot
- N=Neutral
- G=Ground

NOTE: Information in parenthesis refers to 120 VAC control.

3.1 Recommended wiring

Step 1

As the power cable exits the back of the motor form a drip loop and then run cable to power source.

See Figure 31A and 31B.

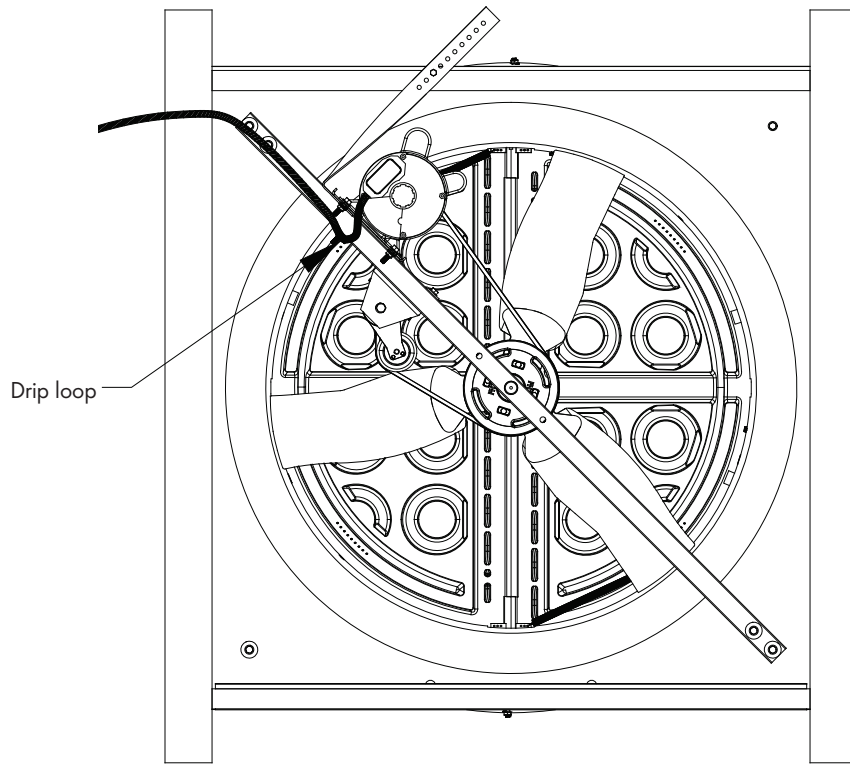


Figure 31A

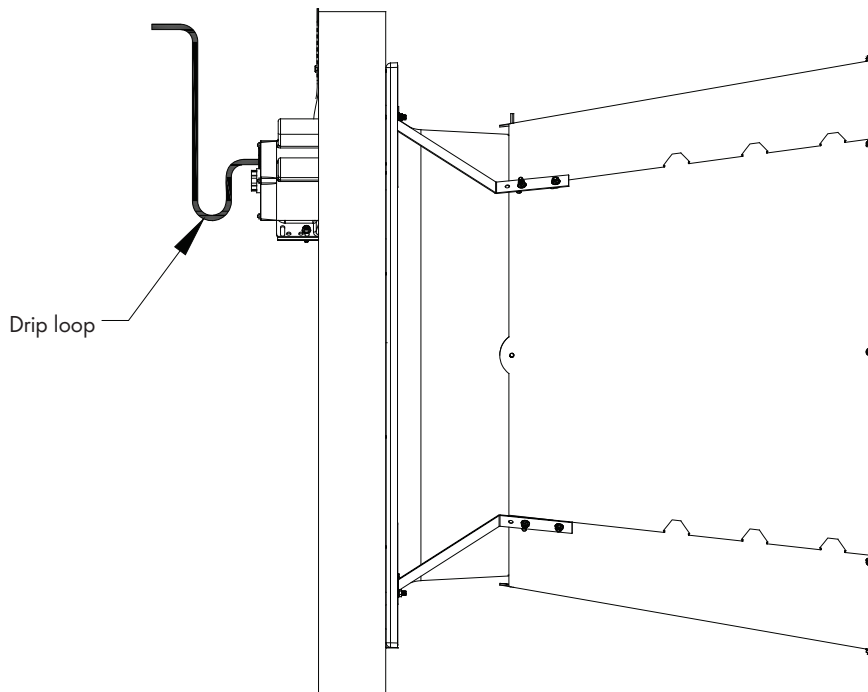


Figure 31B

4. Operation

- 1) **INITIAL START-UP:** With electrical power off, verify that the fan propeller turns freely and that all fasteners are secure. Turn on electrical power and confirm that the fan operates smoothly.
- 2) **ADJUSTMENTS:** Set fan control to temperature shown on your Aerotech ventilation system drawing, or to a value which will provide the desired environmental conditions.

Single Phase Fans: Single phase fans are designed for single speed operation only.

Three Phase Fans: If a frequency drive is used, the minimum operating frequency is 30 Hz.



5. Maintenance

The following inspection and cleaning procedures should be performed monthly:

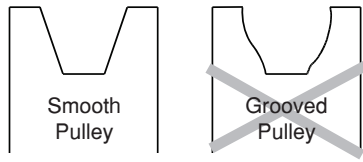
Tools Needed for Maintenance:

wrenches: 10mm, 13mm, 17mm, 27mm, ½", 6mm Hex

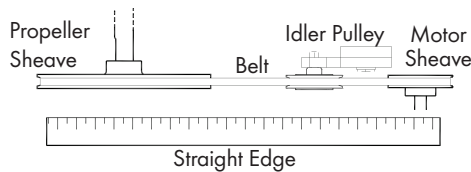
- 1) **INSPECT PROPELLER:** Check that propeller is secure on drive hub and that there are no signs of damage. The blades are of a self-cleaning design and should not require maintenance.
- 2) **CLEAN** regularly for best results:
 - **FAN MOTOR:** Remove any dust accumulation from motor using a brush or cloth. (DO NOT use a pressure washer). A clean motor will run cooler and last longer. At the same time, verify that the motor is secure in its mount.
 - **DAMPER:** Carefully clean dust from damper doors and frame so that doors open and close freely. A brush or cloth should be used.
 - **GUARD:** Clean any dust or feathers from fan guards using a brush. Dirty guards can reduce airflow.
- 3) **CHECK FASTENERS:** For safety, all fasteners should be inspected 1 month after initial operation and yearly thereafter. Tighten any loose connections.
- 4) **INSPECT FAN CONTROL:** With power disconnected, inspect all electrical connections. Wiring should be secure and in good condition. Remove any dust build-up from control case and sensor using a soft brush or cloth. **NEVER CLEAN ELECTRICAL EQUIPMENT WITH A PRESSURE WASHER!**



- 5) **CHECKING PULLEYS:** Roll the belt off and look at all pulleys. If a pulley has grooves in it or is no longer smooth, it needs replacement. A loose or slipping belt will reduce fan performance up to 60% and cause premature belt failure.



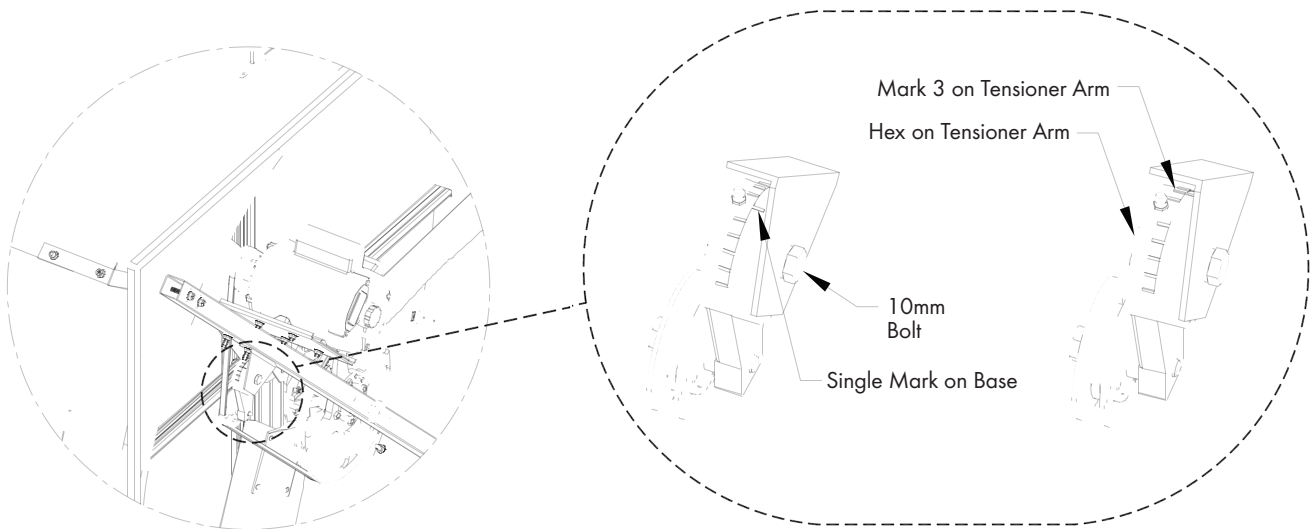
- 6) **CHECK DRIVE ALIGNMENT:** Check alignment of belt on idler pulley, it should be centered on the idler pulley. The belt tensioner idler pulley and propeller sheave are fixed in position, therefore, alignment must be obtained by adjusting the motor sheave. If an adjustment is needed, remove the belt, then loosen the set screws in the sheave and move as necessary to



achieve proper alignment. Remember to tighten the set screws after making an adjustment. Drive alignment is very important for long belt life and proper operation.



- 7) **BELT TIGHTENING:** To adjust belt tensioner to the proper setting, loosen 10 mm bolt (using 17mm end wrench) to allow tensioner arm to rotate. Working from inlet/motor side of fan, place a 27 mm (1 1/16") wrench onto the hex on tensioner. Turn wrench clockwise until the single mark on base of belt tensioner is aligned with Mark 3 on tensioner arm. Hold tensioner at this setting and tighten 10mm bolt to 40 ft.-lbs [54 N-m] torque.



6.1 Winterizing

In most climates, it is probable that the ventilation system will never need to operate at a total capacity during the colder winter months. Consequently, it is advisable to “winterize” those fans which will not be used in cold weather to avoid unnecessary heat loss and condensation.

To winterize, turn fan control “off”. Install the insulated closure panel over the fan intake. If you don’t have an insulated closure panel, a piece of rigid insulation material can be used. Remember the insulation panel must be removed before warmer weather returns.

NOTE: At least one single speed fan should be left uncovered and with power available to provide air movement in the event of variable speed control difficulties.

6.2 Winter weather protection

To prevent cone or fan damage from snow or ice sliding off building roof, weather protection must be provided. A weather shelter may be constructed to cover the entire fan, *See Figure 32*, or snow guards may be placed on the roof, *See Figure 33*.

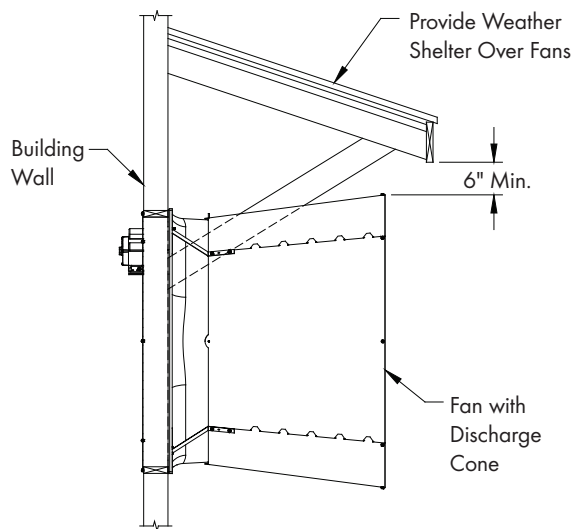


Figure 32

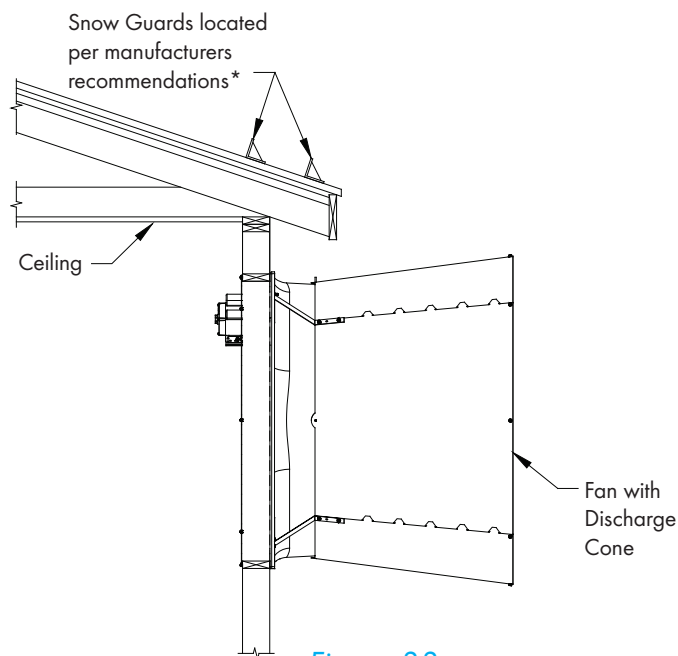


Figure 33

*Snow Guard Suppliers

Company Name	Phone No.	Fax No.	Web Site
Snojax, Inc.	800-766-5291	717-697-2452	www.snojax.com
Polar Blox	800-298-4328	814 629-9090	www.polarblox.com
LM Curbs	800-284-1412	903 759-3598	www.lmcurbs.com
Alpine Snow Guards	888-766-4273	888-766-9994	www.alpinesnowguards.com

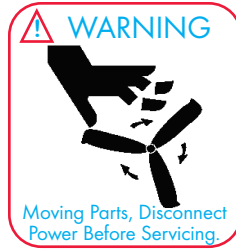


IMPORTANT

Munters Product and System Warranties do not cover cone or fan damage from external sources.

Note: Snow guards are designed to prevent sudden, dangerous snow and ice slides when attached to the building roof according to manufacturers recommendations. The supplier listing above is given as a reference only. Munters does not endorse any specific snow guard product and no performance warranty is implied.

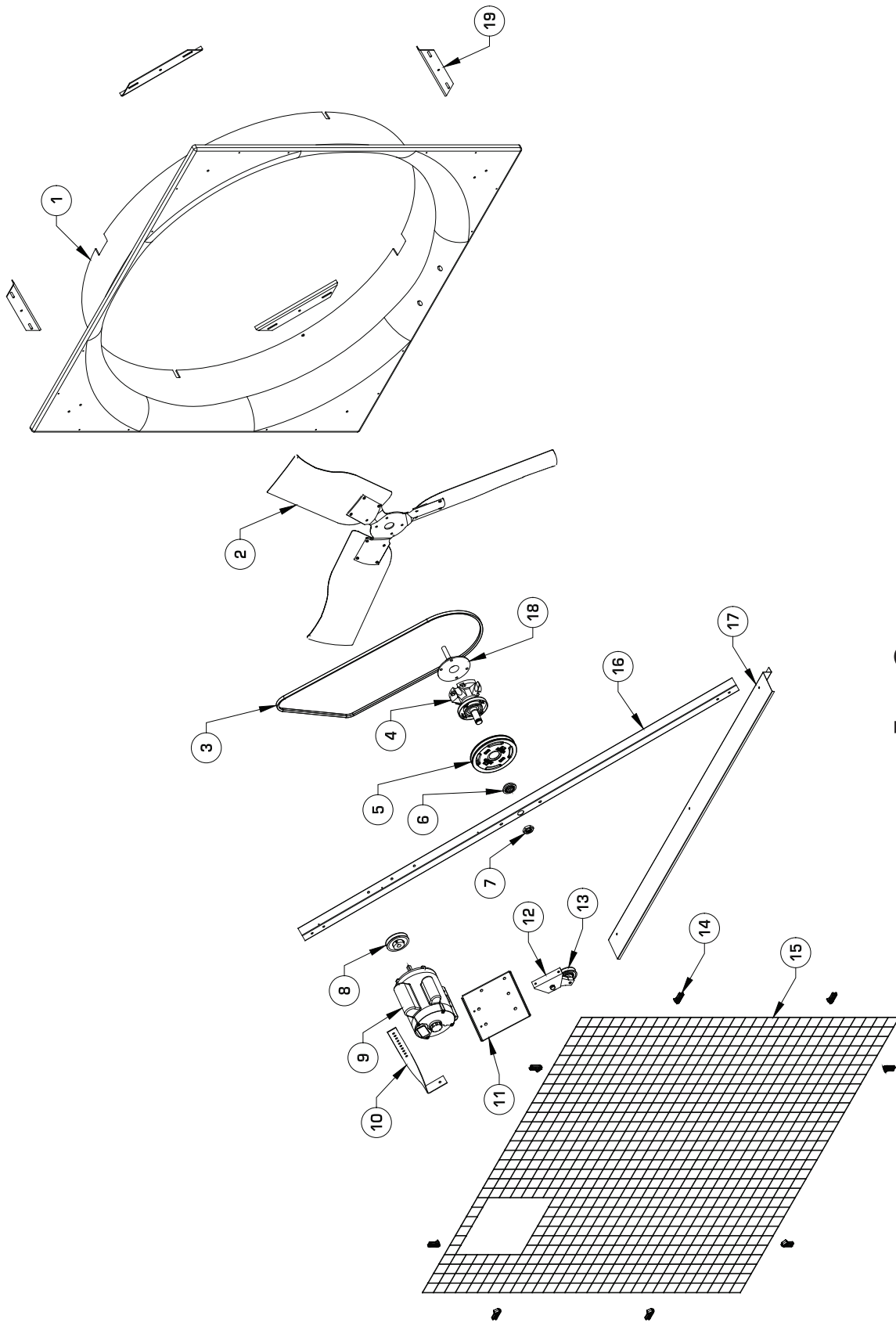
7.1 Troubleshooting



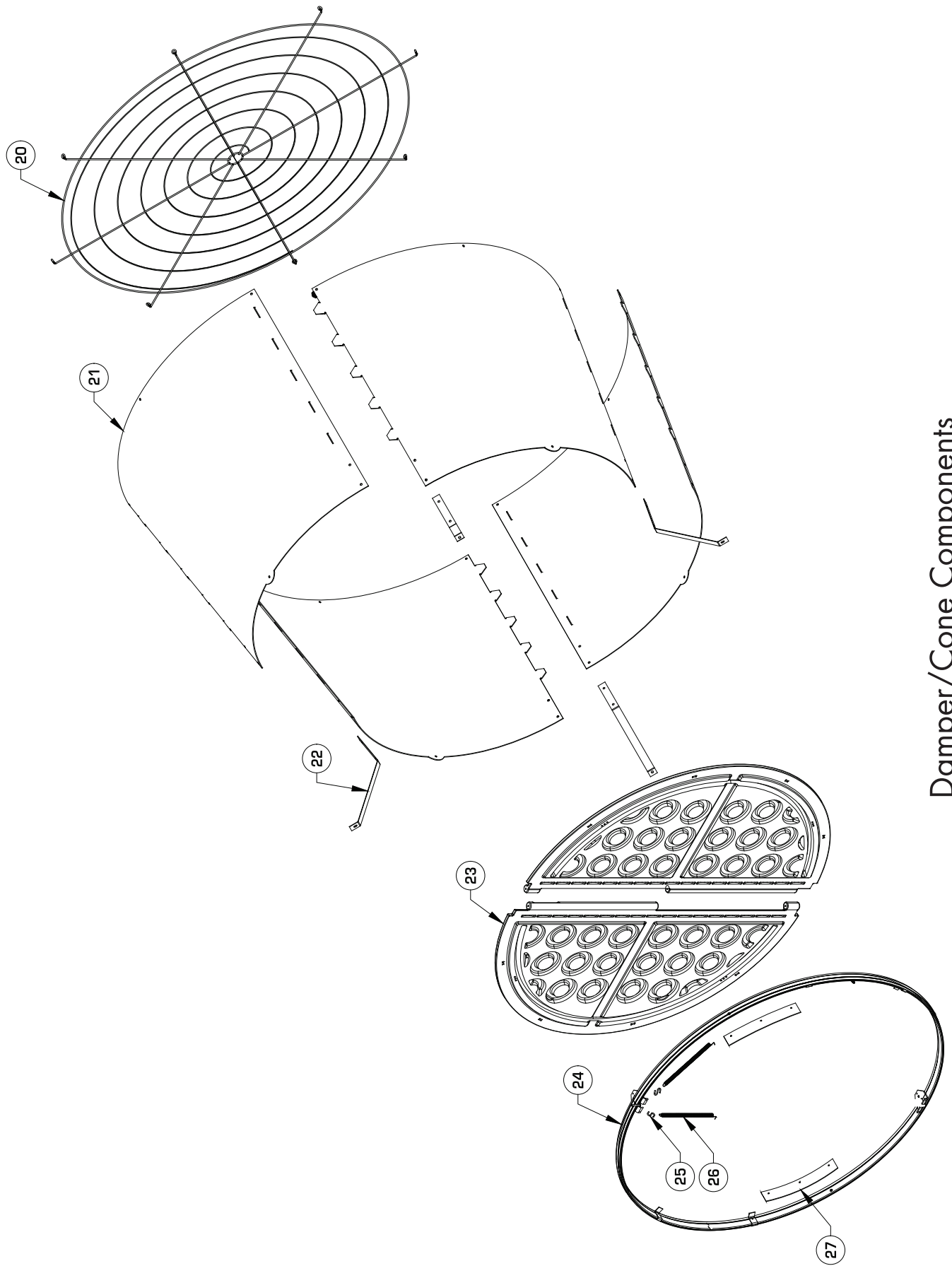
SYMPTOM	POSSIBLE CAUSES	CORRECTIVE ACTION
Fan Not Operating	<ol style="list-style-type: none"> 1. Fan control set above room temperature 2. Blown fuse or open circuit breaker 3. Propeller blade contacting fan housing 4. Fan control defective 5. Motor defective 	<ol style="list-style-type: none"> 1. Set to a lower temperature 2. Replace fuse or reset breaker 3. Realign propeller in fan housing 4. Repair or replace control 5. Repair or replace motor
Fan Operating- Insufficient Airflow	<ol style="list-style-type: none"> 1. Damper door jammed 2. Guard dirty 	<ol style="list-style-type: none"> 1. Clean damper door & fan housing 2. Clean guard
Excessive Noise	<ol style="list-style-type: none"> 1. Propeller blade contacting fan housing 	<ol style="list-style-type: none"> 1. Sand fan housing to remove high spot
Excessive Vibration	<ol style="list-style-type: none"> 1. Motor loose on mount 2. Propeller damaged 3. Motor or propeller shaft bent 	<ol style="list-style-type: none"> 1. Tighten fasteners 2. Replace propeller 3. Repair or replace motor or propeller shaft
Fan Never Turns Off	<ol style="list-style-type: none"> 1. Override thermostat set incorrectly 2. Control set for continuous operation 	<ol style="list-style-type: none"> 1. Set to the correct temperature 2. Set control correctly

Exploded View

8.



Fan Components



Damper/Cone Components

Catalog No.			
Item	WM36K	Part Name/Description	Qty.
1	FH1637	Orifice Panel, FG	1
2	FP1041	Prop Assembly, 3-Blade, GZ	1
3	various*	V-belt, A-section, Aramid Fiber	1
4	FP2060	Hub with Bearing and Shaft	1
5	FH1993	Propeller Sheave, CI	1
6	KX1130	Shaft Shield, AL	1
7	KN1860	Hex Nut, M25x10mm, ZP	1
8	various*	Motor Sheave 5/8" bore with keyseat, CI	1
9	various*	Motor, 56 Frame	1
10	FH2855	Motor Bracket Support Stiffener, GZ	1
11	FH2831	Mounting Plate for NEMA 56 Motor, CTD-GZ	1
12	FH2505	Mounting Bracket for Belt Tensioner, CTD-GZ	1
13	FH2402K	Belt Tensioner Assembly with 3" Idler Pulley	1
	FH2406	3" Idler Pulley only, with Bolt	1
	FH2459	Tensioner Arm only, AL	1
14	FH1968	1-Hole Pivoting Shutter Clip, BLK PL	8
15	FH1344	Inlet Guard, 2" x 2" Mesh, GZ	1
16	FH1673	Tube Strut, Center, PWDCTD	1
17	FH1658	Drip Shield Plate, AL	1
18	FP2065	Hub, Prop Adapter, 5/8" O.D. x 3"L. Shaft, ZP	1
19	FH1980	Cone/Strut Mounting Bracket, GZ	4
20	FH1436	Outlet Guard, Round, CTD BLK	1
21	FH4636	Discharge Cone Section, PL	4
22	FH2431	Cone Support Bracket, PC type, GZ	4
23	FA2036	Door Assembly w/ Latch (2 Doors), PL	1
24	FA2837	Main Frame Assembly, AL	1
25	KX1059	1" S-Hook, 1/16" Wire, SS	2
26	KX1465	Tension Spring, 0.5"OD x 11.0"L, SS	2
27	FH1365	Wing Add-on Kit, 2 Wings w/ Hardware	1

* Parts listed are for specific fan configuration. Contact office for replacement part numbers for your fan configuration.

WM36K is developed and produced by Munters Corporation, Lansing, Michigan U.S.A. 1-800-227-2376



Munters Europe AB, Isafjordsgatan 1, P.O. Box 1150, SE-164 26 Kista, Sweden. Phone +46 08 626 63 00, Fax +46 8 754 56 66.

Munters Corporation 2691 Ena Drive Lansing, MI 48917 U.S.A. Phone +1 800-227-2376, Fax +1 517-676-7078

www.munters.us

Australia Munters Pty Limited, Phone +61 2 6025 6422, **Brazil** Munters Brasil Industria e Comercio Ltda, Phone +55 41 3317 5050, **Canada/US** Munters Corporation Lansing, MI Phone +1 517 676 7070, **China** Munters Air Treatment Equipment (Beijing) Co. Ltd, Phone +86 10 80 481 121, **Denmark** Munters A/S, Phone +45 9862 3311, **India** Munters India, Phone +91 20 3052 2520, **Indonesia** Munters, Phone +62 818 739 235, **Italy** Munters Italy S.p.A., Chiusavecchia, Phone +39 0183 52 11, **Japan** Munters K.K., Phone +81 3 5970 0021, **Korea** Munters Korea Co. Ltd., Phone +82 2 761 8701, **Mexico** Munters Mexico, Phone +52 818 262 54 00, **Russia** Munters AB, Phone +7 812 448 5740, **Singapore** Munters Pte Ltd., Phone +65 744 6828, **South Africa and Sub-Sahara Countries** Munters (Pty) Ltd., Phone +27 11 997 2000, **Spain** Munters Spain S.A., Phone +34 91 640 09 02, **Sweden** Munters AB, Phone +46 8 626 63 00, **Thailand** Munters Co. Ltd., Phone +66 2 642 2670, **Turkey** Munters Form Endüstri Sistemleri A.Ş, Phone +90 322 231 1338, **USA** Munters Corporation, Lansing MI Phone +1 517 676 7070, **Vietnam** Munters Vietnam, Phone +84 8 3825 6838, **Export & Other countries** Munters Italy S.p.A., Chiusavecchia Phone +39 0183 52 11

Munters reserves the right to make alterations to specifications, quantities, etc., for production or other reasons, subsequent to publication.

© Munters AB, 2015