



Munters LAVAMATIC[®] drum washer

Exhaust air cleaning

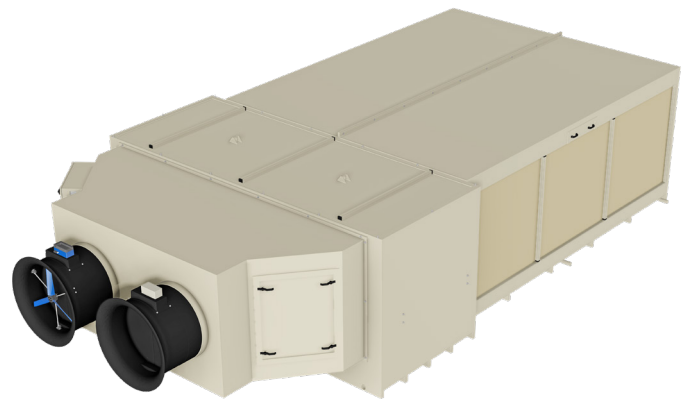
The LAVAMATIC[®] drum washer for example facilitates the exhaust air treatment of poultry and pig stables, and is supplied as a complete, prefabricated module.

Advantages

- Very low energy consumption as no pump technology needed
- Low maintenance
- Easy to clean
- High operational safety
- Effective odor reduction through the use of the biological stage
- Unique rotating washing drum with full automatic cleaning
- Suitable for approval in accordance with the latest filter legislation of the German federal states



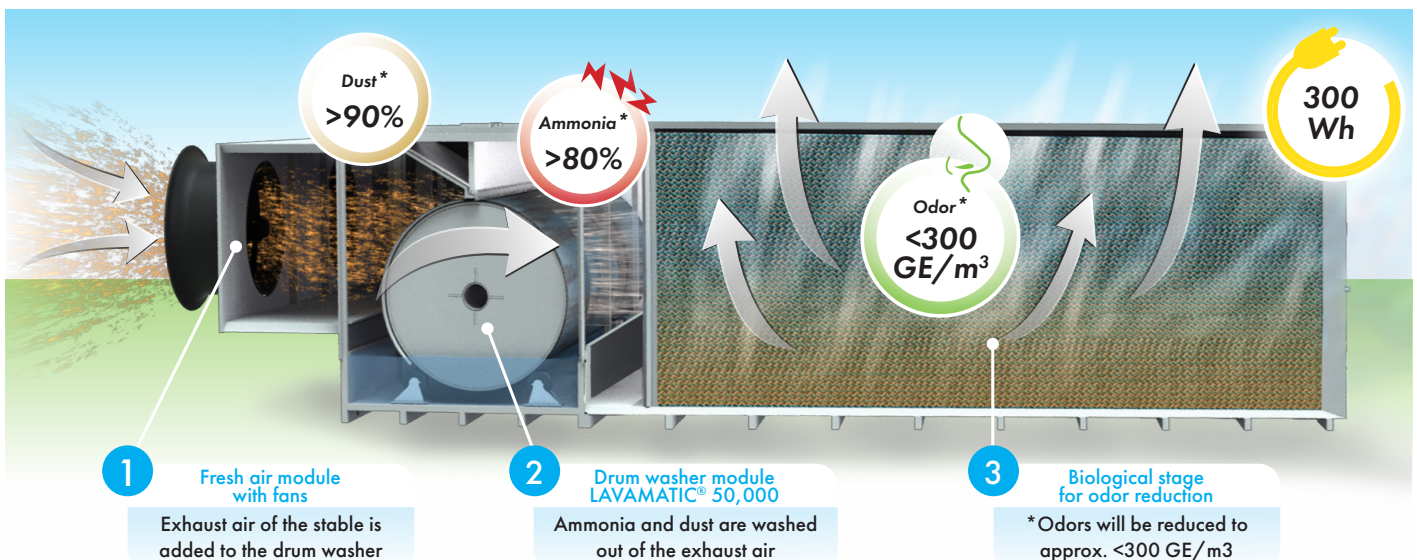
Munters LAVAMATIC[®] with exhaust air module



Munters LAVAMATIC[®] with biological stage

The LAVAMATIC[®] system can simply be placed on the gable wall or long side of the stable. The drum washer with an air flow of 50,000 m³/h consists of a unique drum washer without the use of cost-intensive circulation pumps. Furthermore, an optional biological stage is available for odor reduction.

The drum washer is characterised by its very low electricity consumption due to its ability to operate without pump equipment.



Functional principle of LAVAMATIC[®] – System with biological stage (*Separation depends on the polluted concentration of the raw gas)

Munters LAVAMATIC[®] drum washer

Exhaust air cleaning

Ammonia drum washer for ammonia reduction

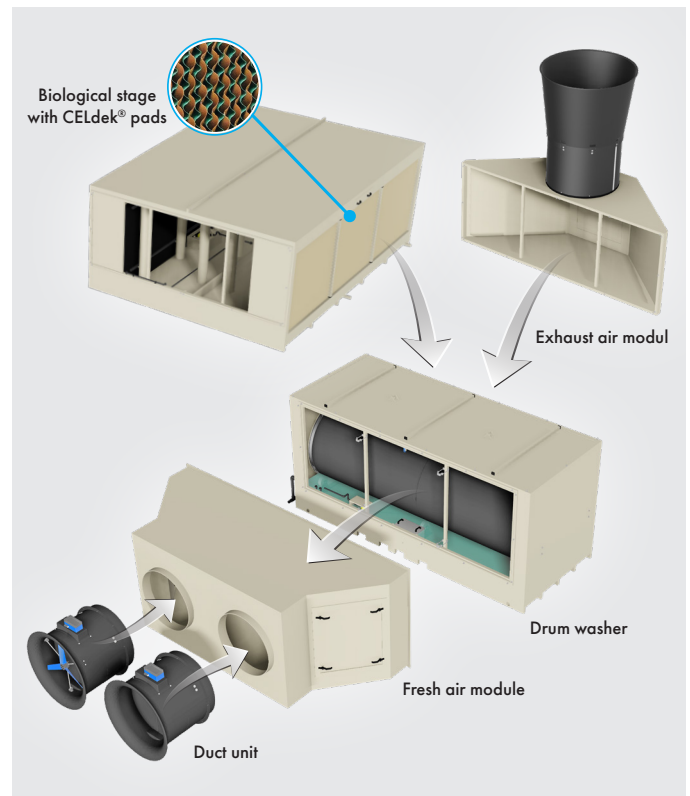
The exhaust air is now guided over the unique, patent-registered drum washer. The continual rotation of the washer drum takes the wash water, which is acidified to pH3, out of the water basin and the filling material in the wash drum is moistened. Additionally, the filling material is constantly cleansed when the wash drum is immersed in the water basin.

A wiper mounted at the top of the wash drum ensures that the coarser particles are removed from the drum's exterior. Simultaneously, the wiper is used for sealing the drum. The LAVAMATIC[®] does not require separate washing water treatment, and this constitutes a further advantage of the technology. Elutriation takes place directly from the water basin into a separate elutriation tank.

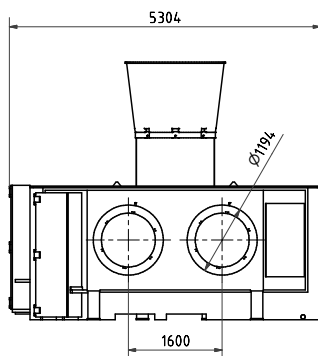
Odor reduction with biological stage in pig fattening

The exhaust air, now free of ammonia, is then guided over the last cleaning stage. Here, the final stable odor is eliminated by the bio filter consisting of cellulose pads.

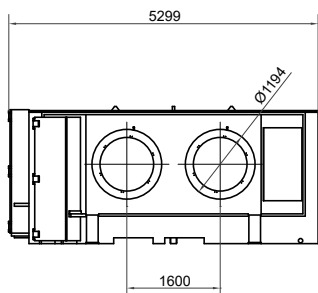
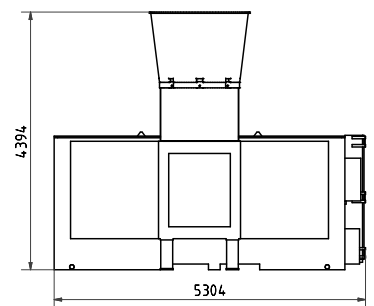
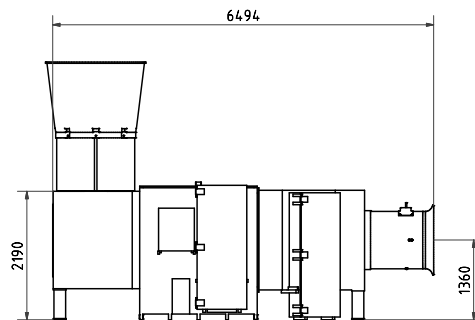
Munters cellulose pads are available on short call worldwide. The replacement is very easy due to the low weight.



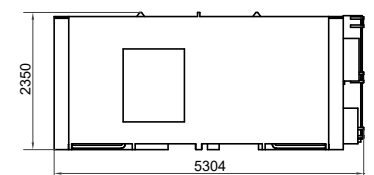
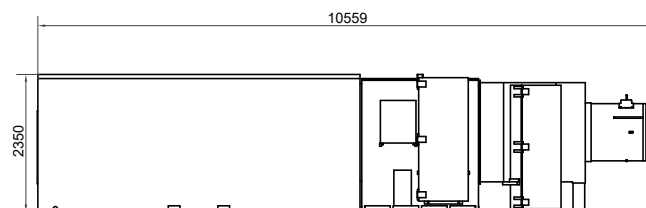
Dimensions



Munters LAVAMATIC[®] – with exhaust air module



Munters LAVAMATIC[®] – with biological stage



Find your nearest Munters office at www.munters.com

Munters reserves the right to make alterations to specifications, quantities, etc., for production or other reasons, subsequent to publication. © Munters AB, 2021