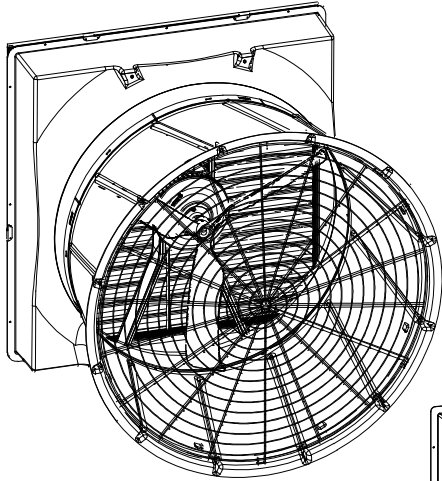
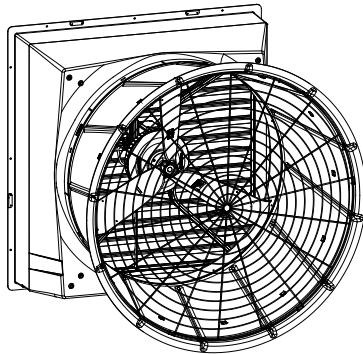


Munters Drive

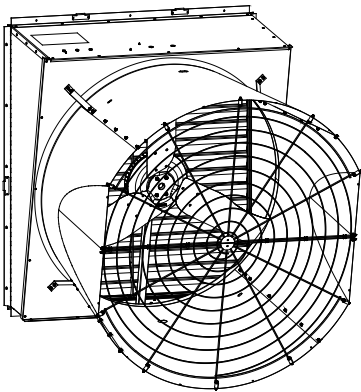
VX51, VX55, VX36, VX48, WF54, WM54F, AX51



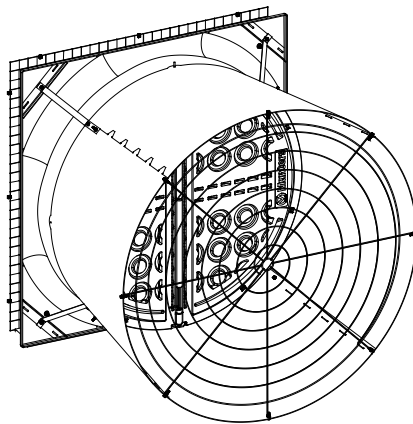
• VX51, VX55



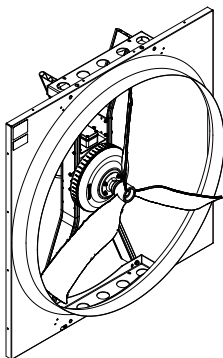
• VX36, VX48



• WF54



• WM54F



• AX51

Technical Specifications

- Reduce fan energy costs up to 40%
- Maintenance FREE
 - No bearing maintenance
 - No belts to replace
- Reduce your carbon footprint
- Optional modes HE, HR, HO providing increased ventilation and savings
- Qualifies for energy rebates
- Patent Pending

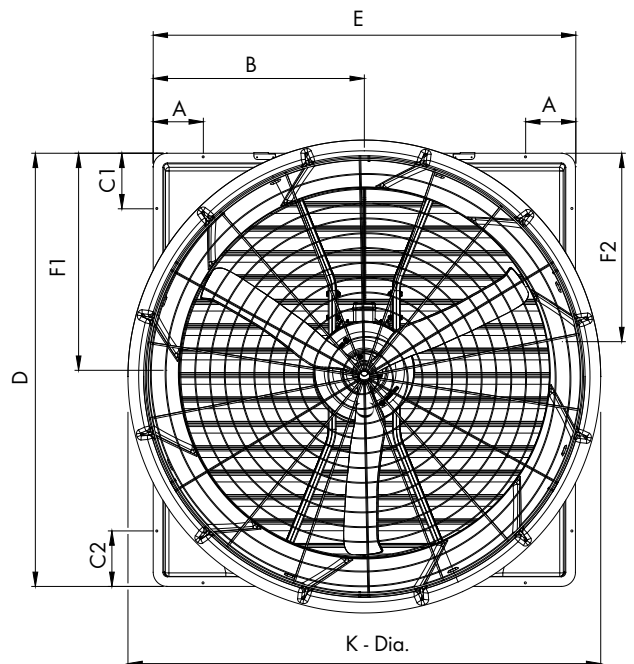
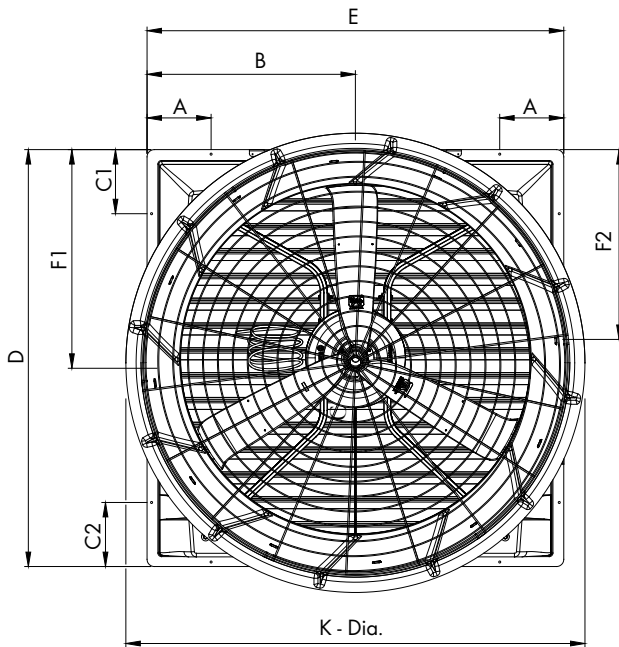
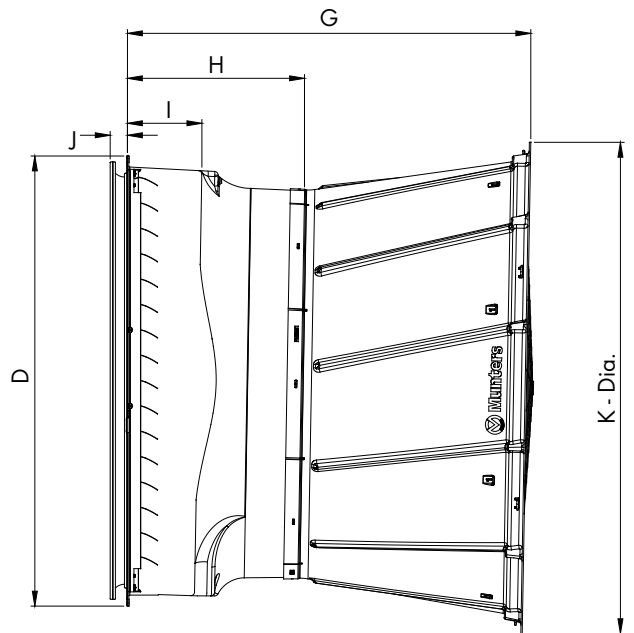
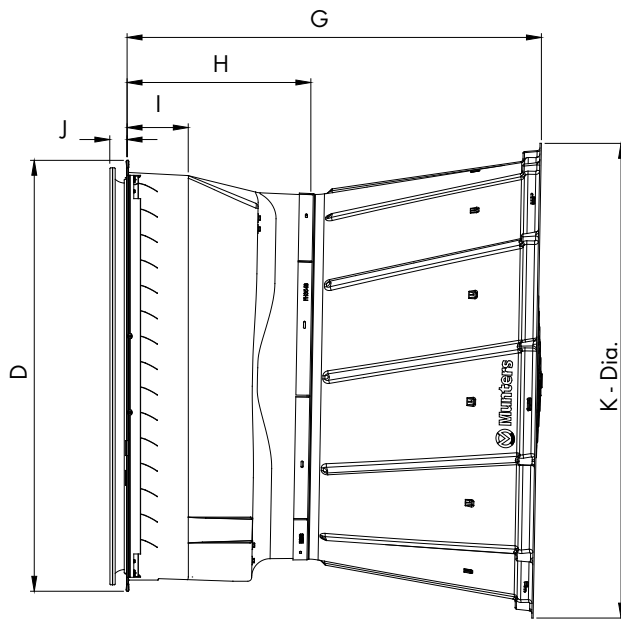
Dimensional Data

Dimensional Data:

Fan Dia.	A	B	C1*	C2*	D	E	F1*	F2*	G	H	I	J	K-Dia.	Wall Openings
36"	6 ⁷ / ₈ "	22 ⁷ / ₁₆ "	6 ⁷ / ₈ "	6 ⁷ / ₈ "	45 ³ / ₄ "	45 ³ / ₄ "	22 ⁷ / ₈ "	22 ⁷ / ₈ "	50 ⁵ / ₈ "	24 ¹ / ₁₆ "	8"	-	50 ³ / ₈ "	43"W x 43"H
48"	8 ⁷ / ₈ "	28 ⁷ / ₈ "	8 ⁷ / ₈ "	8 ⁷ / ₈ "	57 ³ / ₄ "	57 ³ / ₄ "	28 ⁷ / ₈ "	28 ⁷ / ₈ "	55 ³ / ₈ "	24 ⁷ / ₁₆ "	8"	2 ⁵ / ₁₆ "	63 ³ / ₈ "	55"W x 55"H
51"	7"	29 ¹ / ₂ "	7 ¹ / ₂ "	8"	60 ¹ / ₂ "	59"	30 ¹ / ₄ "	26 ¹ / ₂ "	54 ³ / ₁₆ "	23 ³ / ₁₆ "	11"	2 ⁵ / ₁₆ "	65"	56 ¹ / ₄ "W x 57 ³ / ₄ "H
55"	7 ³ / ₈ "	31 ³ / ₈ "	7 ³ / ₄ "	7 ³ / ₄ "	63 ⁵ / ₈ "	62 ³ / ₄ "	27 ⁷ / ₈ "	31 ⁷ / ₈ "	58 ⁹ / ₁₆ "	25 ¹⁵ / ₁₆ "	11 ³ / ₄ "	2 ⁵ / ₁₆ "	70"	60"W x 61 ¹ / ₄ "H

36" & 48" VX Fan

51" & 55" VX Fan

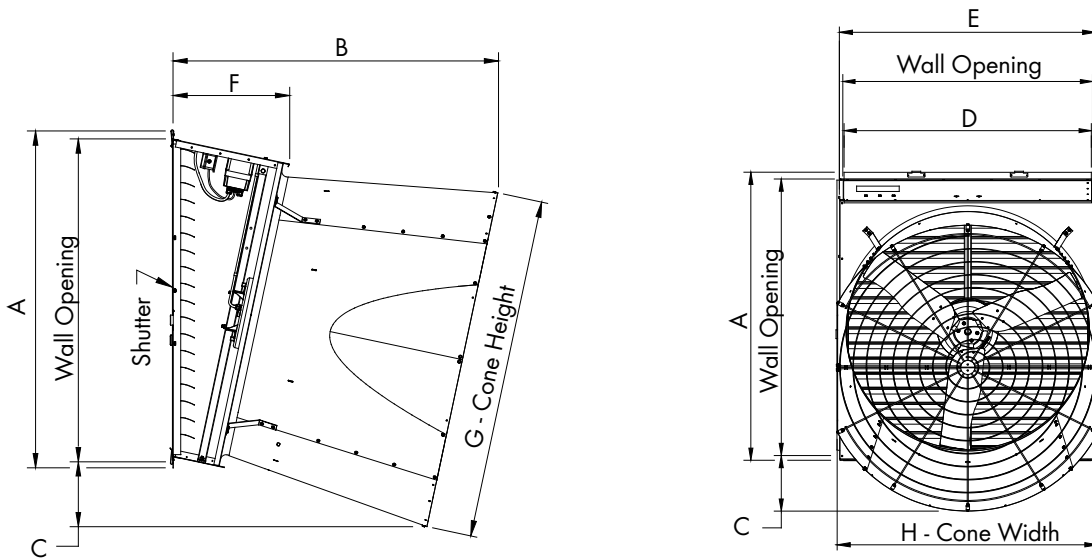


Dimensional Data

Dimensional Data

Size	A	B	C Below F.O.	D	E	F	G Cone Height	H Cone Width	Wall Openings
54"	65 $\frac{1}{4}$ "	63 $\frac{1}{4}$ "	12 $\frac{5}{8}$ "	56"	58"	22 $\frac{5}{8}$ "	66"	59"	56 $\frac{1}{2}$ "W. x 62 $\frac{1}{2}$ "H.

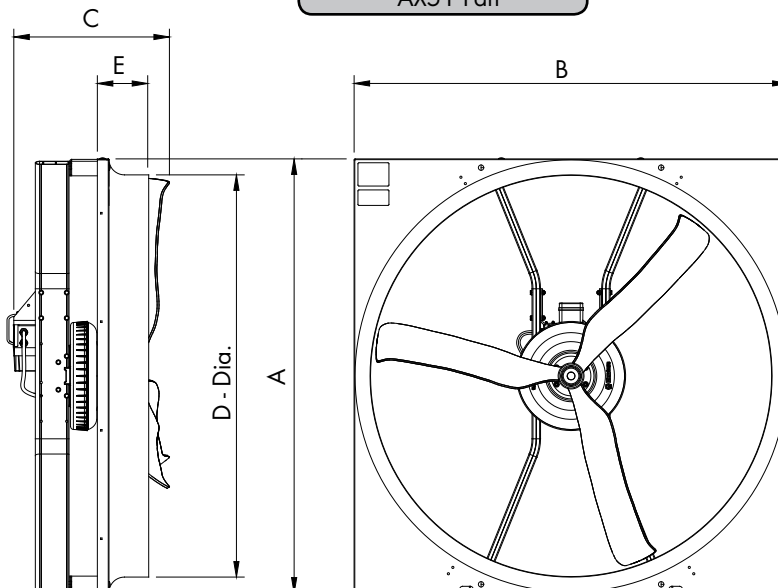
WF54 Fan



Dimensional Data

Fan Size	A	B	C	D-Dia (O.D.)	E	Wall Opening (I.D., framed)
51"	56"	56"	20 $\frac{1}{8}$ "	51 $\frac{7}{8}$ "	6 $\frac{1}{2}$ "	56 $\frac{1}{4}$ " sq.

AX51 Fan

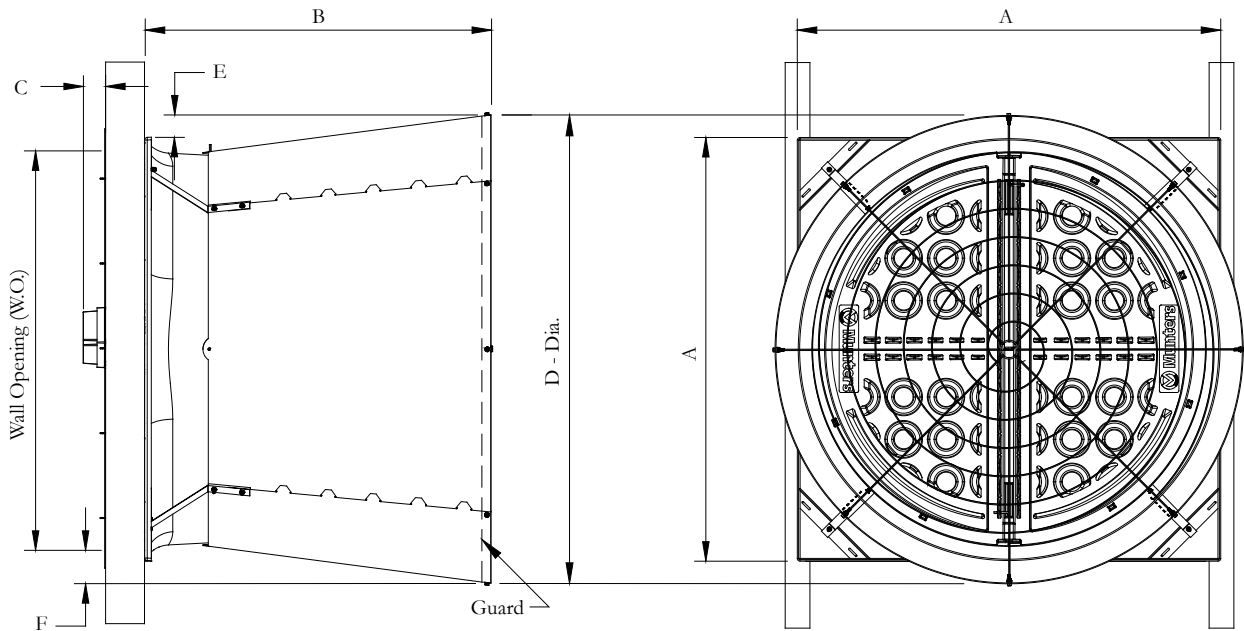


Dimensional Data

Dimensional Data

Size	A	B	C Below F.O.	D-Dia.	E	F	Wall Openings
54"	60"W. x 60" H.	49"	3 1/8"	66 5/16"	3 3/16"	4 3/4"	56 1/2"W. x 56 1/2"H.

WM54F Fan



Technical Data

Abbreviations:

SS = Single Speed VR = Variable Speed
 HE - High Energy HO - High Output
 HR - High Rebate

Fan	Size	Type	Speed	Approx. HP	Phase	Voltage	Amps	Prop. RPM
VX36	36"	HE	SS or VR	1/2	1	230	4.4	796
		HE	SS or VR	1/2	3	230	2.3	796
		HE	SS or VR	1/2	3	460	1.0	796
		HR	SS or VR	3/4	1	230	6.0	876
		HR	SS or VR	3/4	3	230	3.0	876
		HR	SS or VR	3/4	3	460	1.0	876
		HO	SS or VR	1	1	230	7.8	992
		HO	SS or VR	1	3	230	4.1	992
		HO	SS or VR	1	3	460	2.0	992
VX48	48"	HE	SS or VR	1	1	230	8.4	594
		HE	SS or VR	1	3	230	4.5*	594
		HE	SS or VR	1	3	460	2.1	594
		HR	SS or VR	1 1/2	1	230	11.2*	649
		HR	SS or VR	1 1/2	3	230	5.7*	649
		HR	SS or VR	1 1/2	3	460	2.6	649
		HO	SS or VR	2	1	230	13.0*	688
		HO	SS or VR	2	3	230	6.7*	688
		HO	SS or VR	2	3	460	3.1	688
VX51	51"	HE	SS or VR	1	1	230	8.2	540
		HE	SS or VR	1	3	230	4.6	540
		HE	SS or VR	1	3	460	2.0	540
		HR	SS or VR	1 1/2	1	230	10.6	593
		HR	SS or VR	1 1/2	3	230	6.0	593
		HR	SS or VR	1 1/2	3	460	2.6	593
		HO	SS or VR	2	1	230	14.3	630
		HO	SS or VR	2	3	230	7.9	630
		HO	SS or VR	2	3	460	3.5	645
VX55	55"	HE	SS or VR	1	1	230	10.5	490
		HE	SS or VR	1	3	230	5.8	490
		HE	SS or VR	1	3	460	2.6	490
		HR	SS or VR	1 1/2	1	230	10.8	496
		HR	SS or VR	1 1/2	3	230	5.9	496
		HR	SS or VR	1 1/2	3	460	2.7	496
		HO	SS or VR	2	1	230	15.4	535
		HO	SS or VR	2	3	230	8.1	535
		HO	SS or VR	2	3	460	3.7	546
WF54	54"	HE	SS or VR	1	1	230	8.9	522
		HE	SS or VR	1	3	230	4.9	522
		HE	SS or VR	1	3	460	2.3*	522
		HR	SS or VR	1 1/2	1	230	10.7	563
		HR	SS or VR	1 1/2	3	230	6.0	563
		HR	SS or VR	1 1/2	3	460	2.7*	563
		HO	SS or VR	2	1	230	12.0	590
		HO	SS or VR	2	3	230	6.6	590
		HO	SS or VR	2	3	460	3.4*	590
WM54F	54"	HE	SS or VR	1	1	230	9.8	526
		HE	SS or VR	1	3	230	5.1	526
		HE	SS or VR	1	3	460	2.4	526
		HR	SS or VR	1 1/2	1	230	11.4	563
		HR	SS or VR	1 1/2	3	230	6.0*	563
		HR	SS or VR	1 1/2	3	460	2.8*	563
		HO	SS or VR	2	1	230	12.8*	600
		HO	SS or VR	2	3	230	7.0*	600
		HO	SS or VR	2	3	460	3.3*	600
AX51	51"	HE	SS or VR	1	1	230	7.9	540
		HE	SS or VR	1	3	230	4.1	540
		HE	SS or VR	1	3	460	1.6	540
		HR	SS or VR	1 1/2	1	230	9.3	581
		HR	SS or VR	1 1/2	3	230	4.8	581
		HR	SS or VR	1 1/2	3	460	1.9	581

*Calculated amperages

Performance Data

Performance Information: VX Series

36" VX, Three Phase - 460 Volt Motor and Drive

	0.00" SP			0.05" SP		0.10" SP		0.15" SP		0.20" SP			
	RPM	CFM	CFM WATT	CFM	CFM WATT	CFM	CFM WATT	CFM	CFM WATT	CFM	CFM WATT	Air Flow Ratio	BESS Lab Test
High Efficiency -HE	796	12,550	26.1	11,690	22.9	10,840	19.9	9,770	17.4	8,400	14.9	0.67	15382
High Rebate - HR	876	13,950	22.8	13,210	20.3	12,460	18.2	11,670	16.3	10,770	14.6	0.82	15145
High Output - HO	992	15,970	17.8	15,420	16.7	14,790	15.3	14,090	14.1	13,350	13.0	0.83	15380

48" VX, Three Phase - 460 Volt Motor and Drive

	0.00" SP			0.05" SP		0.10" SP		0.15" SP		0.20" SP			
	RPM	CFM	CFM WATT	CFM	CFM WATT	CFM	CFM WATT	CFM	CFM WATT	CFM	CFM WATT	Air Flow Ratio	BESS Lab Test
High Efficiency -HE	594	25,000	25.4	23,500	22.7	21,900	20.5	20,100	18.2	18,000	15.9	0.77	13412
High Rebate - HR	649	27,500	21.6	26,300	19.8	24,800	18.0	23,300	16.4	21,400	14.7	0.81	13413
High Output - HO	688	29,300	19.4	27,900	17.7	26,600	16.4	25,200	15.0	23,700	13.7	0.85	13414

51" VX, Three Phase - 460 Volt Motor and Drive

	0.00" SP			0.05" SP		0.10" SP		0.15" SP		0.20" SP			
	RPM	CFM	CFM Watt	CFM	CFM Watt	CFM	CFM Watt	CFM	CFM Watt	CFM	CFM Watt	Air Flow Ratio	BESS Lab Test
High Efficiency -HE	540	28,300	30.4	26,700	27.1	24,700	23.9	22,500	20.9	19,900	18.0	0.75	12679
High Rebate - HR	593	31,200	25.8	29,900	23.3	28,200	21.1	26,300	18.9	24,100	16.7	0.81	12680
High Output - HO	655	34,800	21.2	33,300	19.4	31,900	17.7	30,400	16.2	28,700	14.8	0.86	12681

55" VX, Three Phase - 460 Volt Motor and Drive

	0.00" SP			0.05" SP		0.10" SP		0.15" SP		0.20" SP			
	RPM	CFM	CFM Watt	CFM	CFM Watt	CFM	CFM Watt	CFM	CFM Watt	CFM	CFM Watt	Air Flow Ratio	BESS Lab Test
High Efficiency -HE	490	33,000	27.2	31,300	24.1	28,900	21.4	26,600	18.9	23,000	16.1	0.73	12797
High Rebate - HR	496	33,500	26.5	31,600	23.7	29,500	21.1	27,200	18.8	23,900	16.1	0.76	12798
High Output - HO	556	37,900	21.5	36,100	19.4	34,400	17.7	32,600	16.2	30,300	14.5	0.84	12799

Performance Information: WF Series

54" WF, Three Phase - 230 Volt Motor and Drive

	0.00" SP			0.05" SP		0.10" SP		0.15" SP		0.20" SP			
	RPM	CFM	CFM WATT	CFM	CFM WATT	CFM	CFM WATT	CFM	CFM WATT	CFM	CFM WATT	Air Flow Ratio	BESS Lab Test
High Efficiency -HE	522	29,200	30.0	27,600	26.3	25,900	23.5	23,800	20.9	21,400	18	0.78	13184
High Rebate - HR	563	31,400	25.9	30,100	23.3	28,500	21.1	26,700	18.9	24,500	16.8	0.81	13185
High Output - HO	590	32,600	23.0	31,300	21.0	29,900	19.2	28,400	17.5	26,500	15.8	0.85	13186

Performance Data

Performance Information: **WM54F Series**

54" WM, Single Phase - 230 Volt Motor and Drive

	0.00" SP			0.05" SP		0.10" SP		0.15" SP		0.20" SP			
	RPM	CFM	CFM WATT	CFM	CFM WATT	CFM	CFM WATT	CFM	CFM WATT	CFM	CFM WATT	Air Flow Ratio	BESS Lab Test
High Efficiency - HE	526	30,500	30.4	28,900	26.5	27,000	23.3	24,800	20.2	22,300	17.5	0.77	15116
High Rebate - HR	563	32,400	26.7	30,800	23.5	29,200	21.1	27,400	18.8	26,100	16.5	0.85	15117
High Output - HO	600	34,200	23.3	32,800	20.9	31,200	18.9	29,500	16.9	27,700	151	0.84	16950

Performance Information: **AX Series**

51" AX, Three Phase - 230 Volt Motor and Drive

	RPM	Thrust (lbf)	Efficiency Ratio (lbf/kW)	Volts	Amps	kW	Airflow (thrust cfm)	Efficiency (thrust cfm/w)	5D centerline Velocity (fpm)	BESS Lab Test
AX51DG23-HE	540	28.96	28.8	227	4.13	1.007	25,800	25.6	960	c13236
AX51DG23-HR	580	33.93	26.9	227	4.82	1.263	27,900	22.1	1,020	c13238