

## PRODUCT

## Munters Wall Inlet – Insulated

### FEATURES

- Door is completely filled with closed cell foam
- Foam provides superior r-value insulation and industry leading air performance ratings
- Improves the structure and reduces condensation, moisture vapor
- Optimal flow of fresh air in the house, avoiding drafts and cold air dropping on to livestock
- Recessed curved door in the wall, properly channels the air jet along the ceiling and avoids air escape out the sides
- Packaged unassembled six pieces per box, optimizes shipping volume and lowers freight cost
- Quick user-friendly assembly due to distinctive design. No fasteners needed
- Hygienic-friendly due to the smart design and smooth surface finish
- Top quality durable PVC and PP materials, UV stabilized
- Air sealing gaskets at the top and sides to avoid air leakage in closed position
- Suitable for quick high pressure washing

MWI © Copyright Munters Corporation 2019 r3

## MWI – Munters Wall Inlet - Insulated

In agriculture, the ideal climate is essential as it impacts the production and health of animals. Controlled fresh air entry, is one of the main factors in achieving the perfect climate. Foam insulation filled door all-weather applications.

The MWI has been engineered and designed to bring fresh air into the house without exposing the animals to cold air drafts. This is made possible with the MWI's curved shape, that properly channels the incoming fresh air along the ceiling, to mix before it reaches the animals.

The MWI is ideally designed for sidewall installation. The framing system and curved door are manufactured from a combination of UV resistant PVC and PP materials offering durability. It can be cleaned with a high-pressure washer. For bio-security reasons, an integrated galvanized metal guard is provided, preventing unwanted entry into the house. By using the MWI, every farmer will get closer towards achieving the perfect climate with the right balance between performance, efficiency and budget.

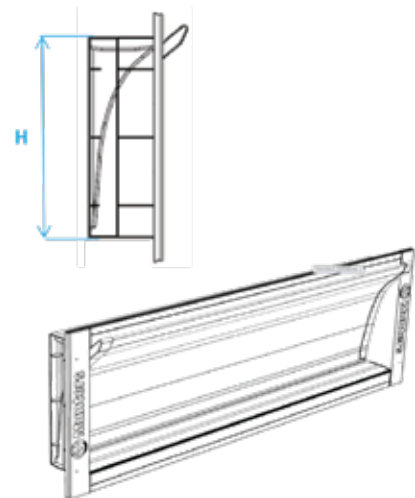
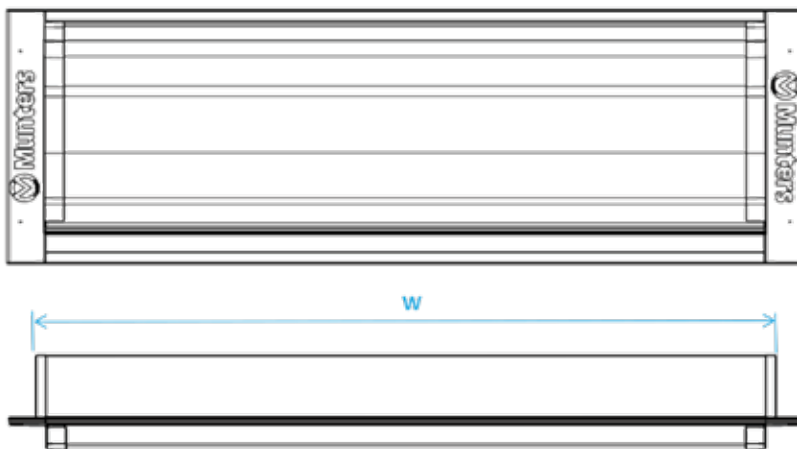


## Technical Information:

Catalog Number	Inlet Size*		Airflow at Static Pressure						Pull Force		Travel Length	
			Imperial			Metric						
			W	H	0.05"	0.10"	0.15"	10Pa	20Pa	30Pa		
MWI Insulated	Inch	cm	CFM			m <sup>3</sup> /h			lbs	N	inch	cm
MWI 4413B-01-6PK	44 x 13	111.8 x 33	2380	3310	4190	3600	5030	6160	9	40	18.5	47
MWI 4408B-01-6PK	44 x 8.25	111.8 x 21	1500	2090	2630	2280	3160	3870	4.5	20	11.5	29
MWI 4113B-01-6PK	41 x 13	104.1 x 33	2240	3080	3890	3320	4720	5720	6.8	30	18.5	47
MWI 4108B-01-6PK	41 x 8.25	104.1 x 21	1450	2010	2530	2180	3080	3720	4.5	20	11.5	29

\*Flange width 2 in or 5 cm on all sides

NOTE: Rough wall opening should be 0.5 inch or 1.3 cm bigger than the inlet size  
e.g., rough wall opening for MWI 4413B should be 44.5 x 13.5 in or 113 x 34.3 cm



MWI - Munters Wall Inlet is distributed by Munters



**Australia** Phone +61 2 8843 1594, [agh.info@munters.com.au](mailto:agh.info@munters.com.au), **Brazil** Phone +55 41 3317 5050, [contato@munters.com](mailto:contato@munters.com), **Canada** Phone +1 517 676 7070, [aghort.info@munters.com](mailto:aghort.info@munters.com), **China** Phone +86 10 8048 3493, [marketing@munters.cn](mailto:marketing@munters.cn), **Denmark** Phone +45 98 623 311, [aghort@munters.dk](mailto:aghort@munters.dk), **Germany** +49 (0) 25 58 - 93 92-0, **India** Phone +91 20 6681 8900, [info@munters.in](mailto:info@munters.in), **Indonesia** Phone +66 2 642 2670, [info@munters.co.th](mailto:info@munters.co.th), **Israel** Phone +972 3 920 6200, [info@munters.co.il](mailto:info@munters.co.il), **Italy** Phone +39 0183 5211, [info@munters.it](mailto:info@munters.it), **Japan** Phone +81 3 5970 0021, [mkk@munters.jp](mailto:mkk@munters.jp), **Korea** Phone +82 27618701, [munters@munters.co.kr](mailto:munters@munters.co.kr), **Mexico** Phone +52 8182625400, [dhinfo@munters.com](mailto:dhinfo@munters.com), **Singapore** Phone +65 7 446 828, [info@munters.com.sg](mailto:info@munters.com.sg), **South Africa and Sub-Saharan Countries** Phone +27 11 997 2000, [info@munters.co.za](mailto:info@munters.co.za), **Spain** Phone +39 0183 5211, [info@munters.it](mailto:info@munters.it), **Sweden** Phone +46 8 6266 300, [info@munters.se](mailto:info@munters.se), **Thailand** Phone +66 26422670, [info@munters.co.th](mailto:info@munters.co.th), **Turkey** Phone +90 2627513750, [info@muntersform.com](mailto:info@muntersform.com), **USA** Phone +1 517 676 7070, [aghort.info@munters.com](mailto:aghort.info@munters.com), **Export & Other countries** Phone +39 0183 5211, [info@munters.it](mailto:info@munters.it)

Your closest distributor