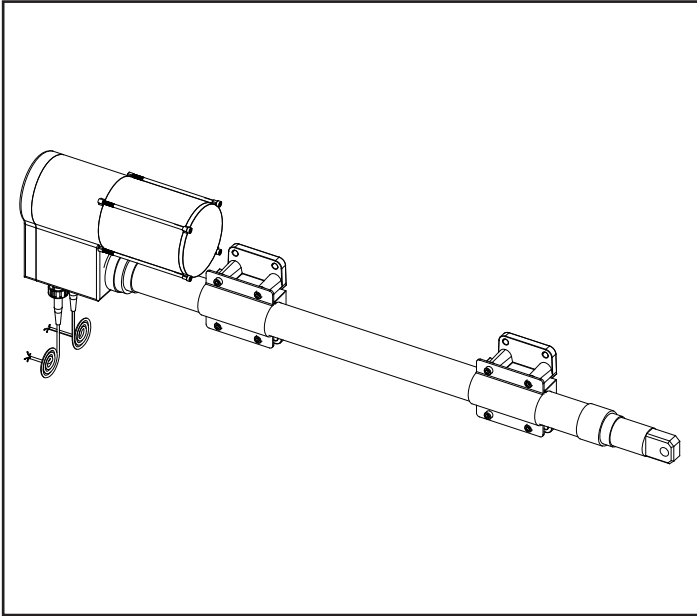


# Instruction Manual



Linear  
Actuator  
with  
Potentiometer

## BA2702-P Linear Actuator

Model: BA2702-P



# BA2702-P Linear Actuator

## Instructions for Use and Maintenance

### Thank You:

Thank you for purchasing a Munters Linear Actuator. Munters equipment is designed to be the highest performing, highest quality equipment you can buy. With the proper installation and maintenance it will provide many years of service.

### Please Note:

To achieve maximum performance and insure long life from your Munters product it is essential that it be installed and maintained properly. Please read all instructions carefully before beginning installation.

### Warranty:

For Warranty claims information see the "Warranty Claims and Return Policy" form QM1021 available from the [Munters Corporation office at 1-800-227-2376 or by e-mail at aghort.info@munters.com](mailto:aghort.info@munters.com).

### Conditions and Limitations:

- Products and Systems involved in a warranty claim under the "Warranty Claims and Return Policy" shall have been properly installed, maintained and operated under competent supervision, according to the instructions provided by Munters Corporation.
- Malfunction or failure resulting from misuse, abuse, negligence, alteration, accident or lack of proper installation or maintenance shall not be considered a defect under the Warranty.

# Index

Chapters	Page
1. Unpacking the Equipment	4
1.1 Parts List	4
1.2 Dimensions	4
2. Installation Instructions	5
3. Electrical Wiring	7
4. Open Limit Switch Adjustment	9

# Unpacking the Equipment

# 1.

## 1.1 Parts List

Before beginning installation, check the overall condition of the equipment. Remove packing materials, and examine all components for signs of shipping damage. Any shipping damage is the customer's responsibility and should be reported immediately to your freight carrier.

### Each BA2702-P includes:

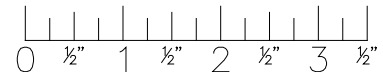
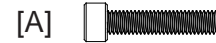
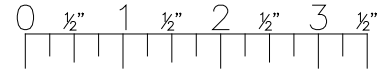
- 1 - Linear Actuator with Potentiometer
- 1 - Power connection cable, 4 wire
- 1 - Potentiometer connection cable, 3 wire
- 2 - Mounting Bracket Bases
- 2 - Holding Clamp Bracket
- 1 - Hardware Package:

### Hardware Package for BA2702-P

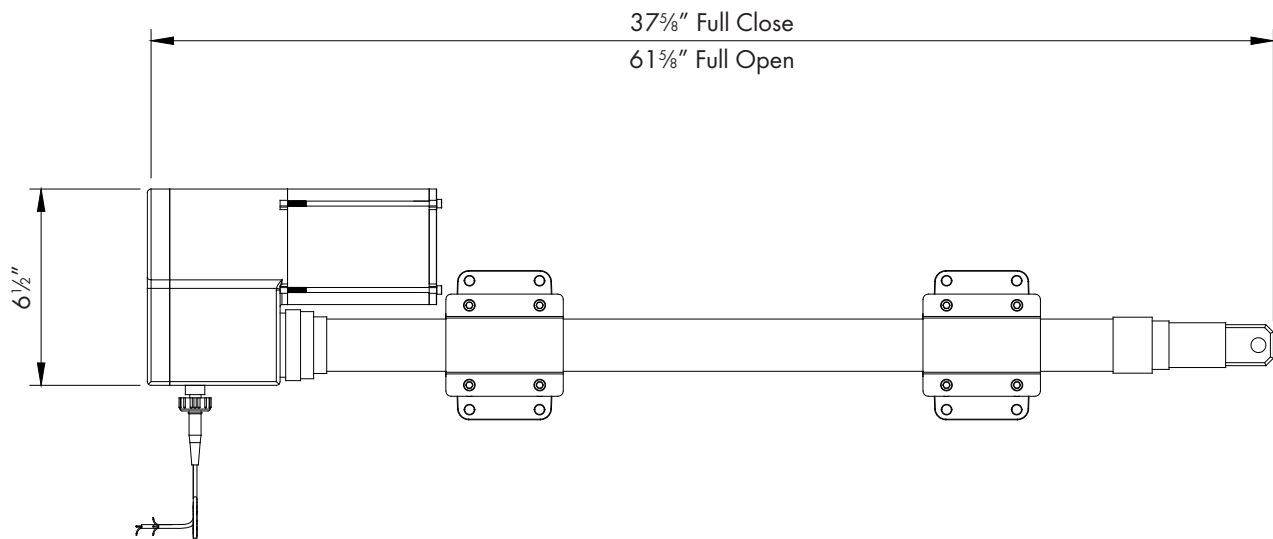
ID	Qty.	Cat. No.	Description
[A]	8	—	M6 x 40mm Socket Head Bolt

### Actuator Specifications

Power: 110-120 VAC  
 Amps: 1.43  
 Phase: 1    Frequency: 60 Hz  
 Load Capacity: 750 lbs.



## 1.2 Machine Dimensions



### Note:

These actuators are designed to open or close Aero-Baffle, Munters modular-inlets or curtains accordingly from signals received from any one of Munters Air-Monitor Controls or Environmental Computer Controls.

# Installation Instructions

# 2.

## 1.1 Installation

### Step 1

Install the Vent Machine in the location specified on your ventilation system drawing. Vent Machine must be attached to structure capable of withstanding a load capacity to 750 lbs. [340 kg].

### Step 2

Fasten the 2 Mounting Bracket Bases to a 2x8 or other framing, 16" O.C. in line with the main cable for the inlets and secure with lag screws (not provided). [See Figure 1.](#)

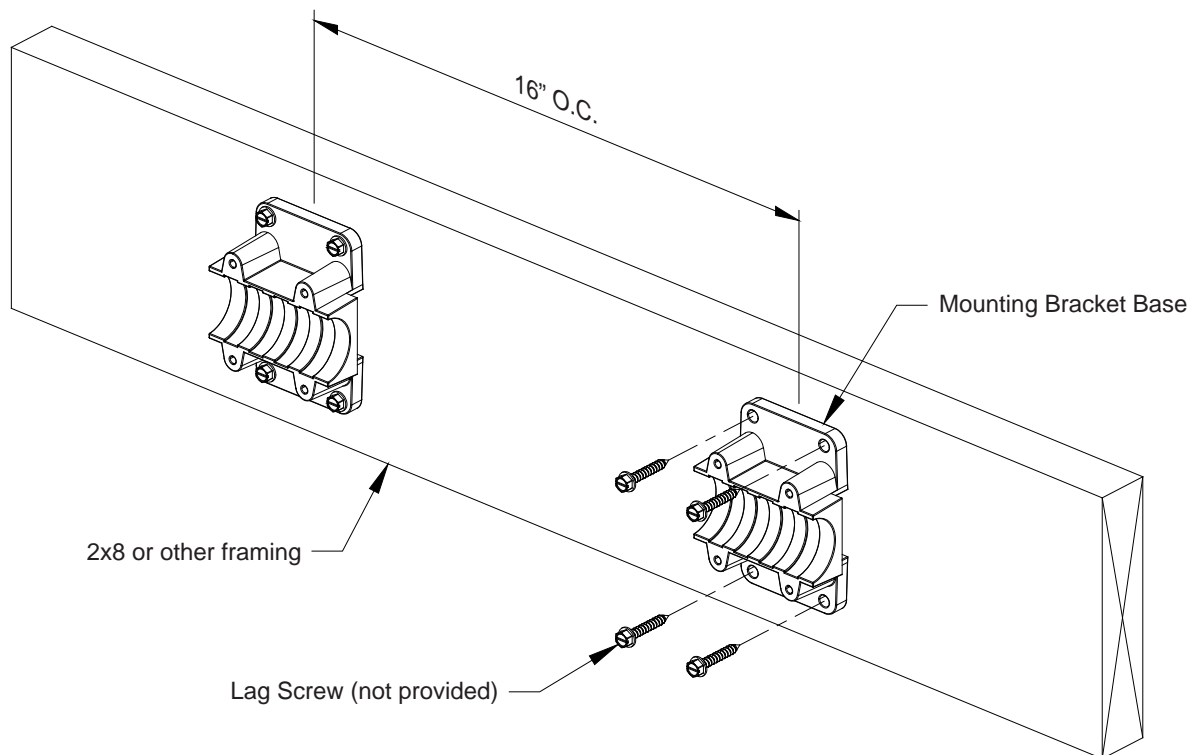


Figure 1

**Step 3**

Place the Vent Machine in the Mounting Bracket Bases and secure in place using (2) Holding Clamp Brackets and (8) Socket Head Bolts [A]. See Figure 2.

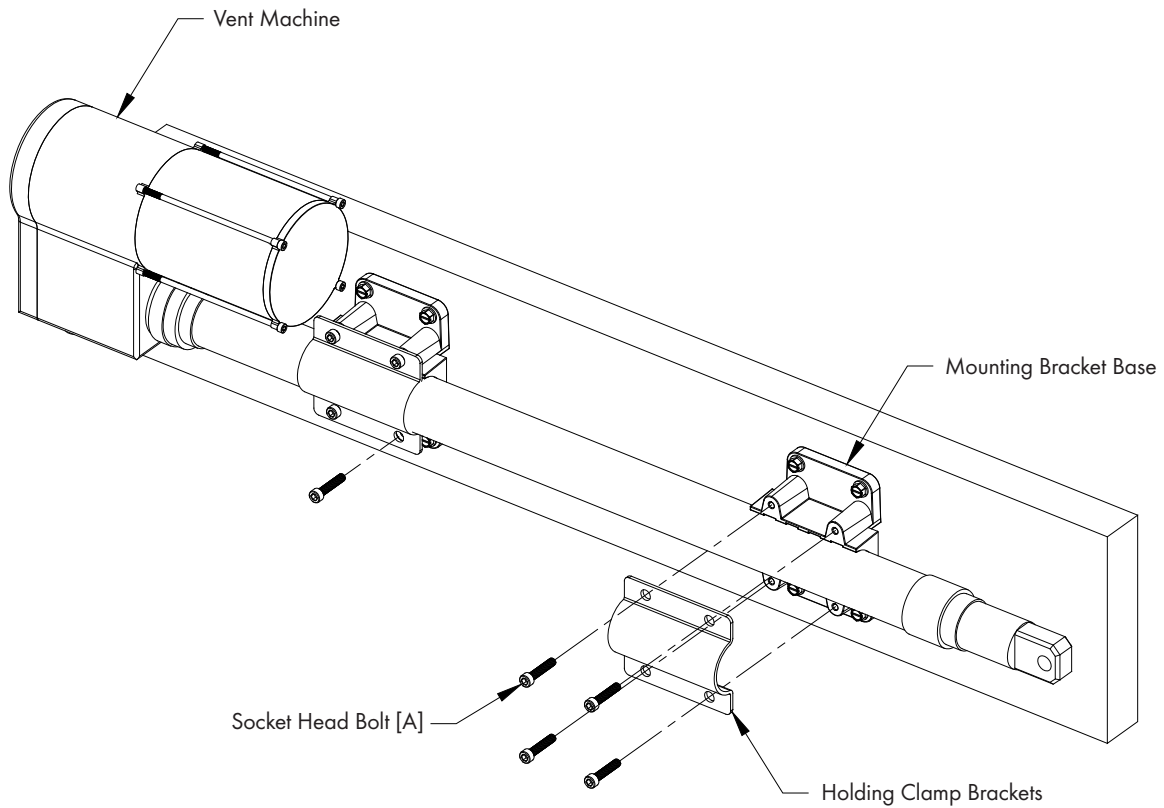


Figure 2

**Step 4**

Loop Main Cable through hole in end of Vent Machine and fasten to itself as shown. See Figure 3.

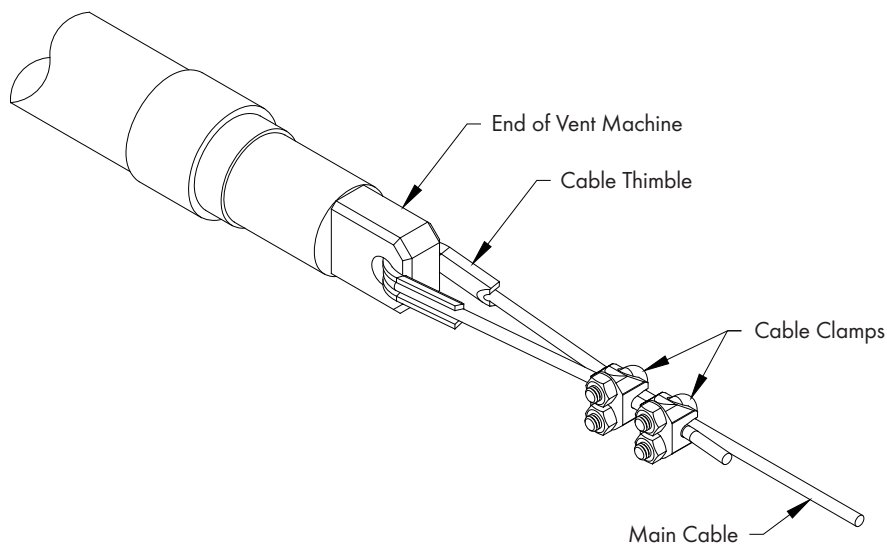


Figure 3

# Electrical Wiring

## 3.

### Step 5

All wiring should be in accordance with National, State and Local electrical codes. Attach 3 wire connection cable and 4 wire connection cable quick connect ends to Vent Mancine in the appropriate location. See Figure 4.

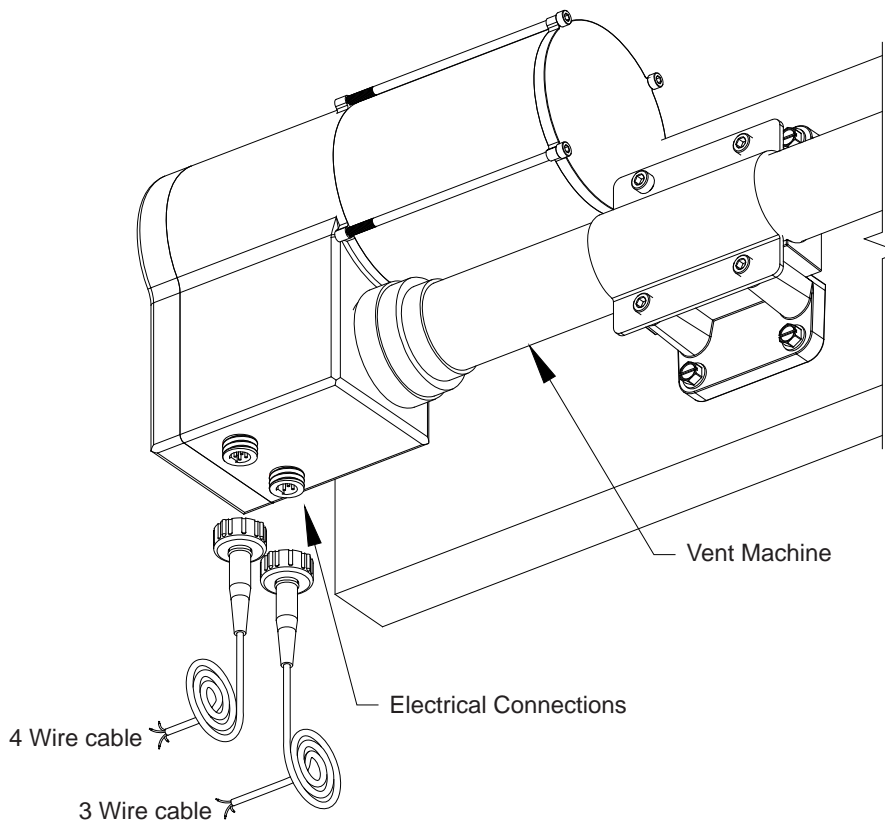
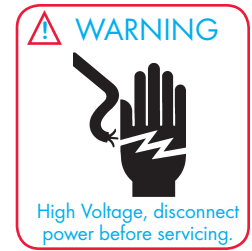


Figure 4

Step 6

Connect the Power cable (4 wire) and Potentiometer (3 wire) to the computer control as shown.

See Figure 5.

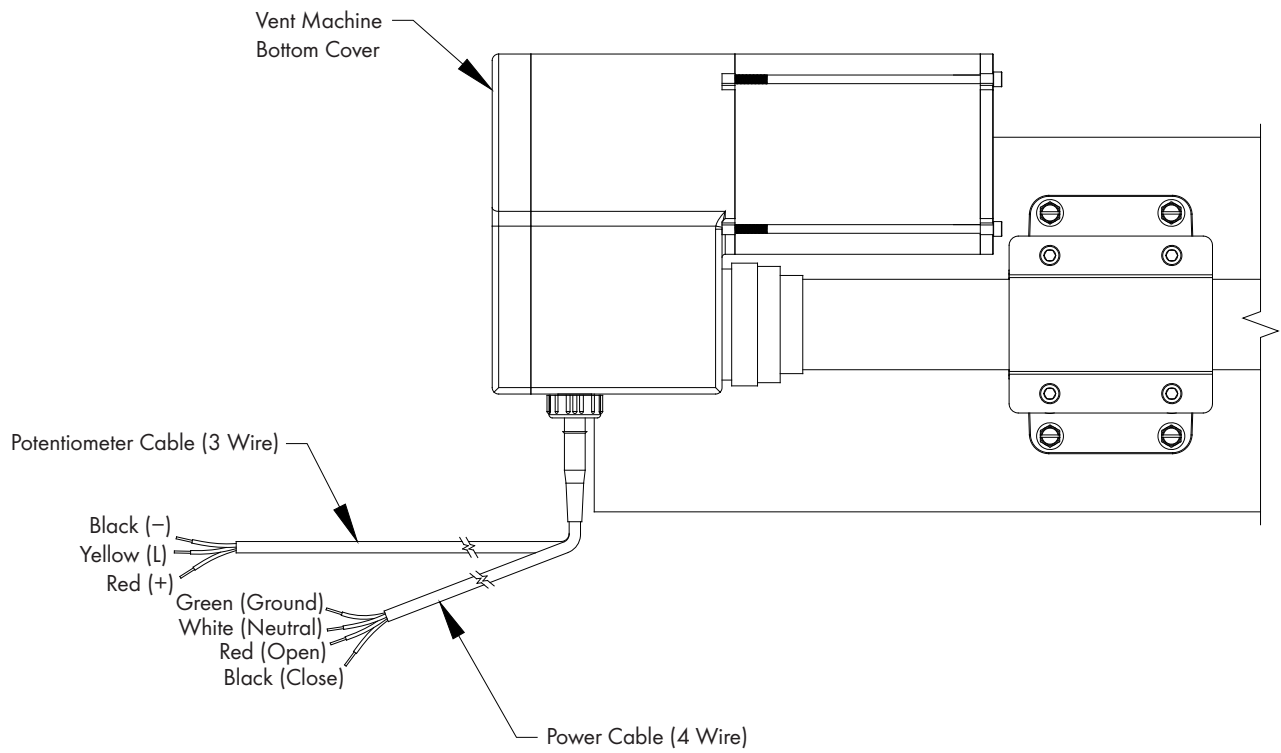


Figure 5



# Open Limit Switch Adjustment

# 4.

Close Limit Switch is preset, attach inlets to Vent Machine in the close position.

## Step 7

Using the Computer Control run the Vent Machine to the desired maximum open position.

## Step 8

Remove the Vent Machine Bottom Cover

## Step 9

Loosen the screw in the center of the White Plastic Cam (next to the Limit Switch).

## Step 10

Adjust the upper portion of the White Plastic Cam so that the extended point engages the Limit Switch.

## Step 11

Retighten the screw in the center of the White Plastic Cam.

## Step 12

Test Vent Machine by using the manual mode (close/open) of the Computer Controller.



BA2702 Vent Machines are developed and produced by Munters Corporation, Lansing, Michigan U.S.A. 1-800-227-2376



Munters Europe AB, Isafjordsgatan 1, P.O. Box 1150, SE-164 26 Kista, Sweden. Phone +46 08 626 63 00, Fax +46 8 754 56 66.

Munters Corporation 2691 Ena Drive Lansing, MI 48917 U.S.A. Phone +1 800-227-2376, Fax +1 517-676-7078

[www.munters.us](http://www.munters.us)

[Australia](#) Munters Pty Limited, Phone +61 2 6025 6422, [Brazil](#) Munters Brasil Industria e Comercio Ltda, Phone +55 41 3317 5050, [Canada/US](#) Munters Corporation Lansing, MI Phone +1 517 676 7070, [China](#) Munters Air Treatment Equipment (Beijing) Co. Ltd, Phone +86 10 80 481 121, [Denmark](#) Munters A/S, Phone +45 9862 3311, [India](#) Munters India, Phone +91 20 3052 2520, [Indonesia](#) Munters, Phone +62 818 739 235, [Italy](#) Munters Italy S.p.A., Chiusavecchia, Phone +39 0183 52 11, [Japan](#) Munters K.K., Phone +81 3 5970 0021, [Korea](#) Munters Korea Co. Ltd., Phone +82 2 761 8701, [Mexico](#) Munters Mexico, Phone +52 818 262 54 00, [Russia](#) Munters AB, Phone +7 812 448 5740, [Singapore](#) Munters Pte Ltd., Phone +65 744 6828, [South Africa and Sub-Sahara Countries](#) Munters (Pty) Ltd., Phone +27 11 997 2000, [Spain](#) Munters Spain S.A., Phone +34 91 640 09 02, [Sweden](#) Munters AB, Phone +46 8 626 63 00, [Thailand](#) Munters Co. Ltd., Phone +66 2 642 2670, [Turkey](#) Munters Form Endüstri Sistemleri A.Ş, Phone +90 322 231 1338, [USA](#) Munters Corporation Lansing, MI Phone +1 517 676 7070, [Vietnam](#) Munters Vietnam, Phone +84 8 3825 6838, [Export & Other countries](#) Munters Italy S.p.A., Chiusavecchia Phone +39 0183 52 11