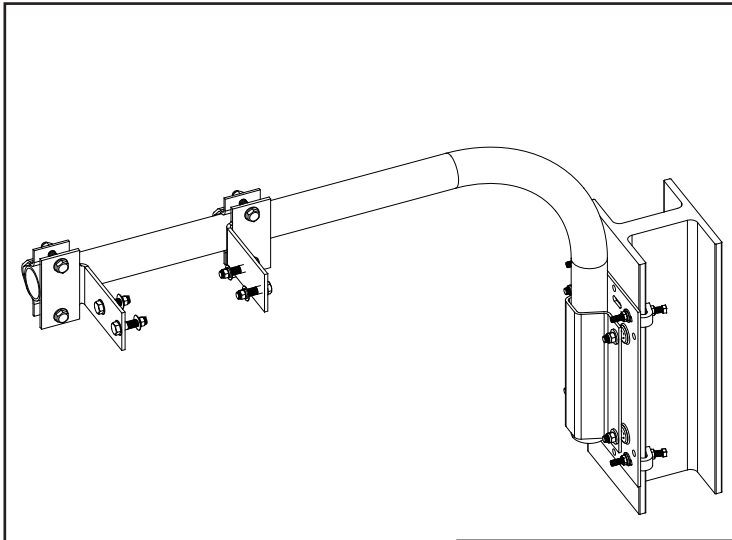


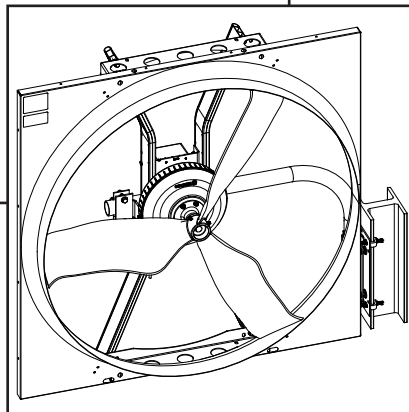
# AX51

with Munters Drive  
Fan Hanger Kit

## Instruction Manual



AX Hanger Kit and "1" Beam hardware



AX Hanger Kit AX51 with Munters Drive Fan

## AX51 with Munters Drive

### Fan Hanger Kit

Models: FH1712



# AX51 with Munters Drive Fan Hanger Kit

## Instructions for Use and Maintenance

### Thank You:

Thank you for purchasing a Munters AX51 with Munters Drive fan Hanger Kit. Munters equipment is designed to be the highest performing, highest quality equipment you can buy. With the proper installation and maintenance it will provide many years of service.

### Please Note:

To achieve maximum performance and insure long life from your Munters product it is essential that it be installed and maintained properly. Please read all instructions carefully before beginning installation.

### Warranty:

For Warranty claims information see the “Warranty Claims and Return Policy” form QM1021 available from the [Munters Corporation office at 1-800-227-2376](#) or by e-mail at [aghort.info@munters.com](mailto:aghort.info@munters.com).

### Conditions and Limitations:

- Products and Systems involved in a warranty claim under the “Warranty Claims and Return Policy” shall have been properly installed, maintained and operated under competent supervision, according to the instructions provided by Munters Corporation.
- Malfunction or failure resulting from misuse, abuse, negligence, alteration, accident or lack of proper installation or maintenance shall not be considered a defect under the Warranty.

# Index

Chapters	Page
1. Unpacking the Equipment	4
1.1 Parts List	4
1.2 Fan Dimensions	5
2. Installation Instructions	6
2.1 Install	6
2.2 Beam Mounting	8
2.3 Wood Post Mounting	9
2.4 Round Post Mounting	9
3. Exploded View and Parts List	11-12

# Unpacking the Equipment

# 1.

## 1.1 Parts List

Each FH1712 includes:

- 1 – Fan Pipe Hanger
- 2 – Fan Hanger Brackets
- 1 – Mounting Plate
- 1 – Pipe Retainer
- 2 – Pipe Clamps
- 1 – Hardware package as follows:

*HP1134 for the AX51 Munters Drive Fan Hanger:*

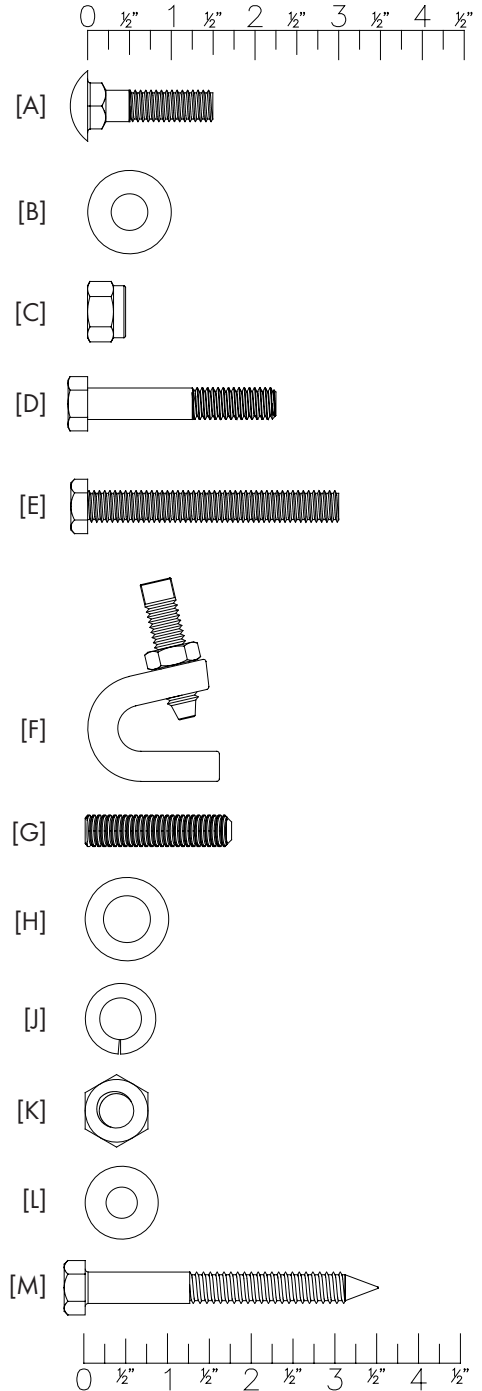
ID	Qty.	Cat. No.	Description
[A]	4	KS1509	3/8"-16 x 1.5" Carriage Bolt, ZP
[B]	20	KW3036	3/8" Flat Washer, ZP
[C]	12	KN1709	3/8"-16 Nylock Hex Nut, ZP
[D]	4	KS1064	3/8"-16 x 2.25" Hex Bolt, ZP
[E]	4	KS1037	3/8"-16 x 3" Hex Bolt, Full Thrd, ZP

*FA1663 Optional Kit for 'I' beam mounting*

[F]	4	KX2804	1/2"-13 'I' Beam Clamp, CARBON STL
[G]	4	KS2806	1/2"-13 x 1.75" Threaded Insert, BLK
[H]	4	KW3044	1/2" Type-A Narrow Flat Washer, ZP
[J]	4	KW3512	1/2" Splitlock Washer, ZP
[K]	4	KN1010	1/2"-13 Hex Nut, ZP

*FA1664 Optional Kit wood post mounting*

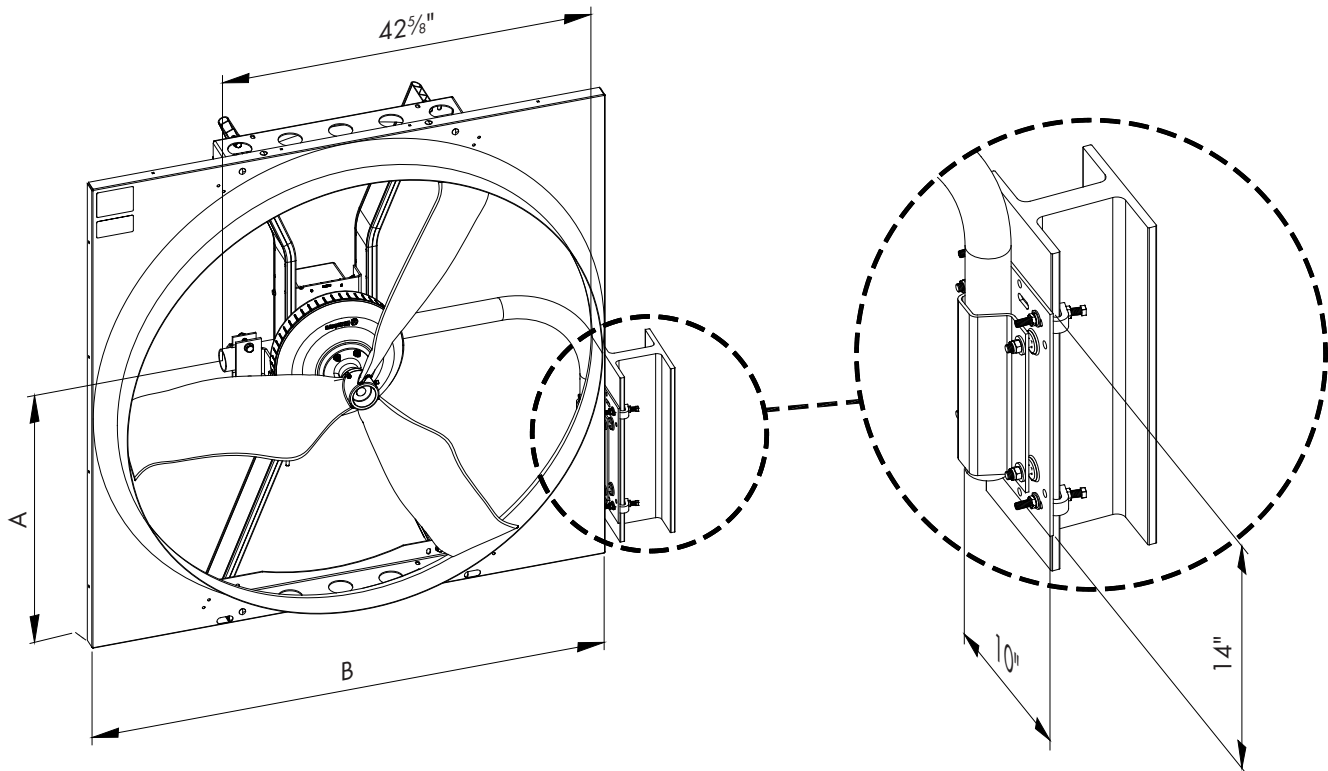
[L]	4	KW3007	3/8" Type A Narrow Flat Washer, SS
[M]	4	KS2462	3/8" x 3.5" Hex Lag Screw, HOT DIP GALV.



## 1.2 Fan Dimensions

Before beginning installation, check the overall condition of the equipment. Remove packing materials, and examine all components for signs of shipping damage. Any shipping damage is the customer's responsibility and should be reported immediately to your freight carrier.

Fan	A (to pipe)	B
51"	25 $\frac{3}{8}$ "	56"



# Installation Instructions

# 2.

## 2.1 Install

### Step 1

Drill (2)  $\frac{3}{8}$ " holes in each strut. Measure 2" below bolt for the Munters Drive Controller along 'V' Groove and drill first hole using 'V' Groove as a guide. Then measure towards the motor  $2\frac{5}{8}$ " and drill second hole.

See Figure 1.

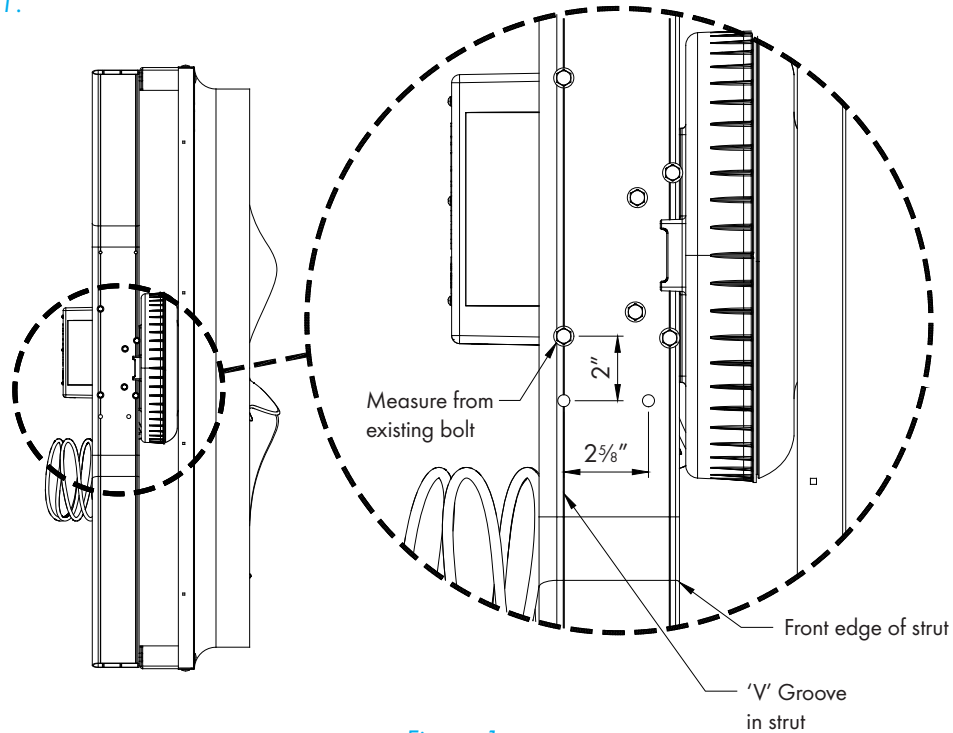


Figure 1

### Step 2

Attach Fan Hanger Brackets to fan strut using (2) 2.25"L. Hex Bolts [D], (4) Flat Washers [B], (2) Nylock Nuts [C].

See Figure 2. Repeat for second Bracket.

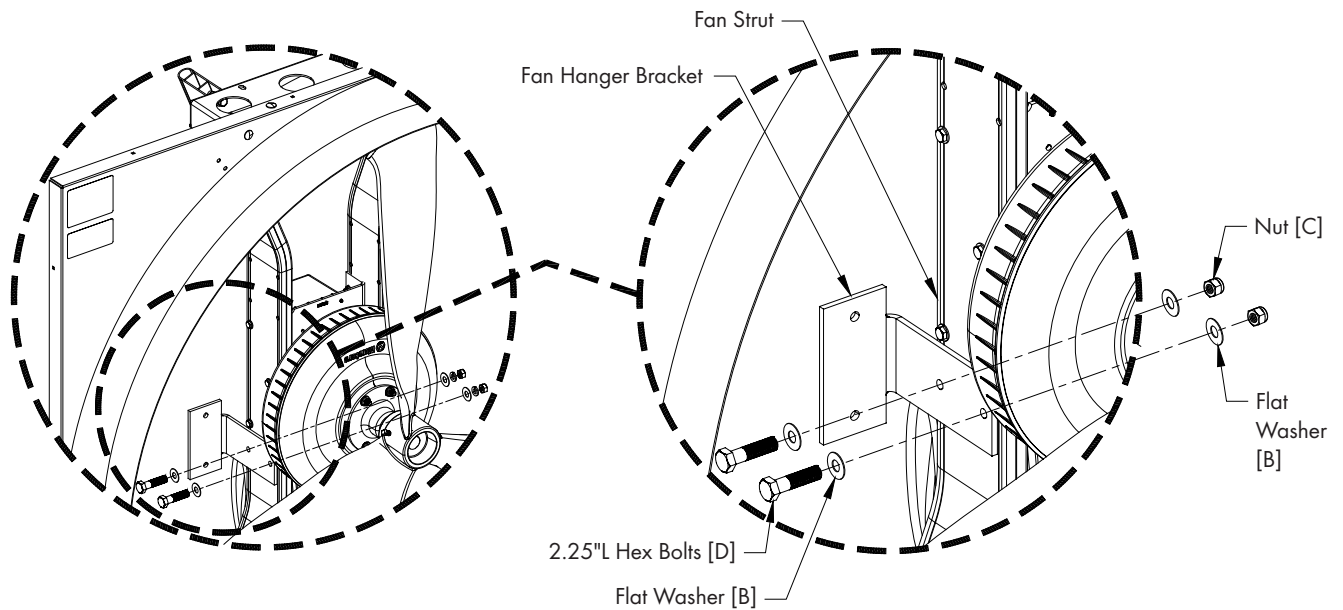
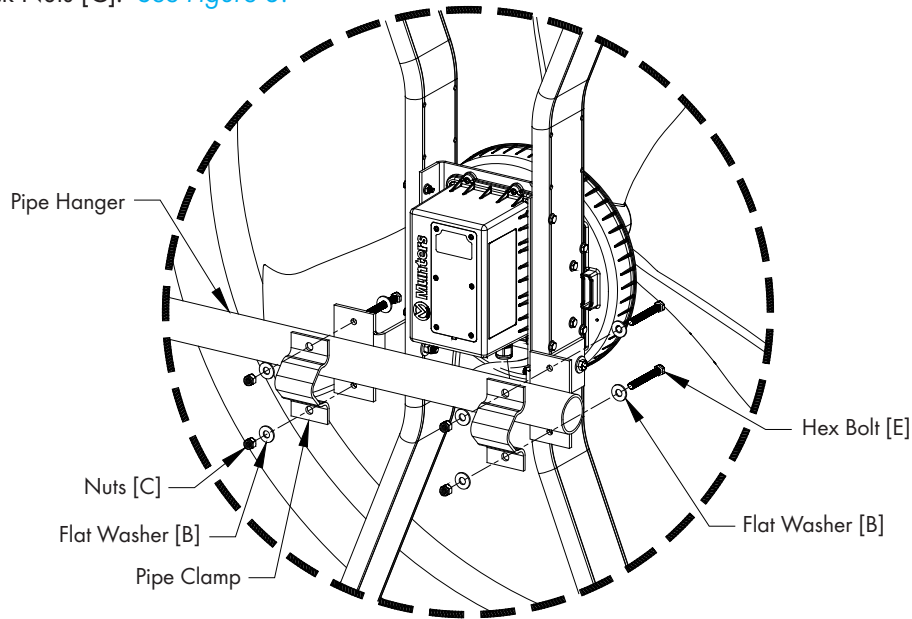


Figure 2

**Step 3**

Secure fan to Fan Pipe Hanger using (2) Pipe Clamps, (4) 3"L. Hex Bolts [E], (8) Flat Washers [B] and (4) Nylock Nuts [C]. See [Figure 3](#).

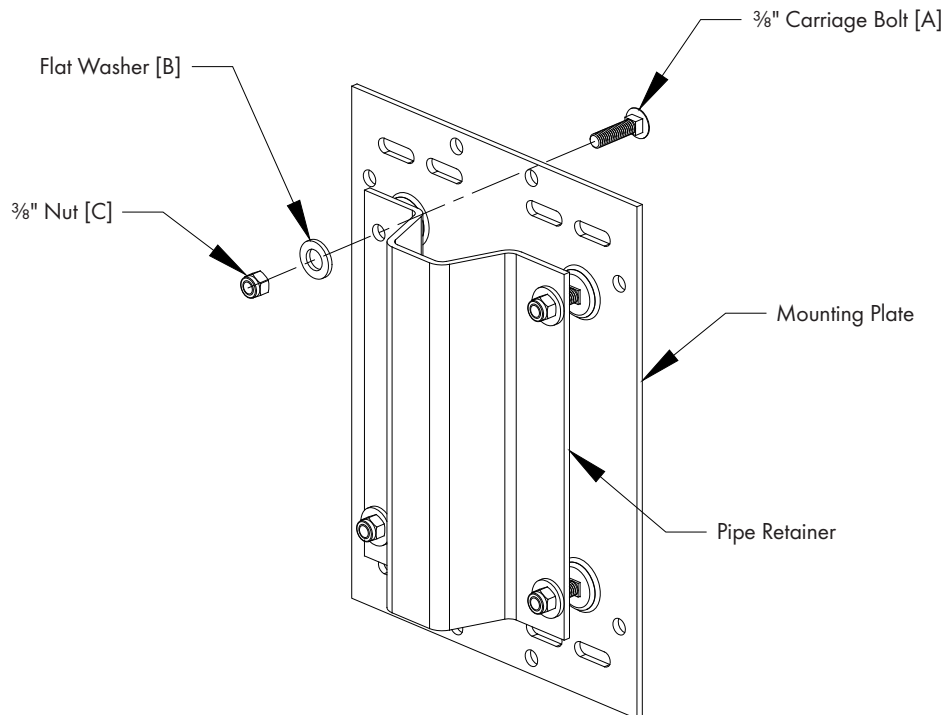


**Figure 3**

**Step 4**

Attach Pipe Retainer to Mounting Plate using (4) Carriage Bolts [A], (4) Flat Washers [B], and (4) Nylock Nuts [C]. Thread nut on so it is flush with end of bolt. See [Figure 4](#).

**NOTE:** For 'I' Beam Mounting go to step 4 and 5, for Wood Post mounting go to step 6, for Round Post mounting go to Step 7.



**Figure 4**

## 2.2 Beam Mounting

### Step 5

Thread Threaded Insert [G] into 'I' Beam Clamp [F] so it is flush on the inside of clamp. Attach (4) 'I' Beam Clamps [F] to beam by tightening square headed bolt. 'I' Beam Clamps [F] should be spaced  $1\ 1\frac{1}{2}$ " center-to-center. The Threaded Insert [G] that the mounting plate assembly mounts to can be  $2\frac{5}{8}$ " -  $4\frac{3}{8}$ " O.C. or  $6$ " -  $7\frac{3}{4}$ " O.C. See Figure 5.

### Step 6

Place Mounting Plate assembly on 'I' Beam Clamp Threaded Inserts and fasten in place using (4) Flat Washers [H], Splitlock Washers [J] and Nuts [K]. See Figure 6. **Proceed to step 9.**

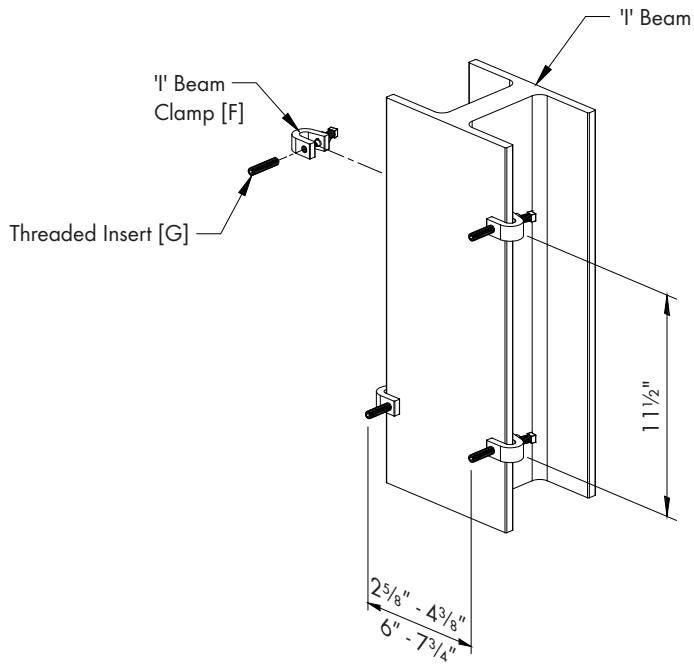


Figure 5

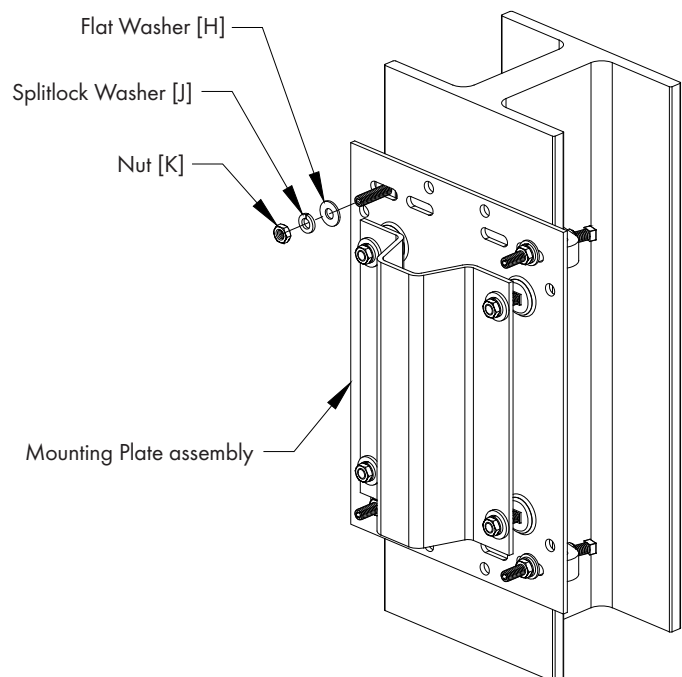


Figure 6



## 2.3 Wood Post Mounting

### Step 7

Attach Mounting Plate assembly to wood post using (4)  $\frac{3}{8}$ " x 3.5" Lag Screws [M] and Flat Washers [L].

See Figure 7.

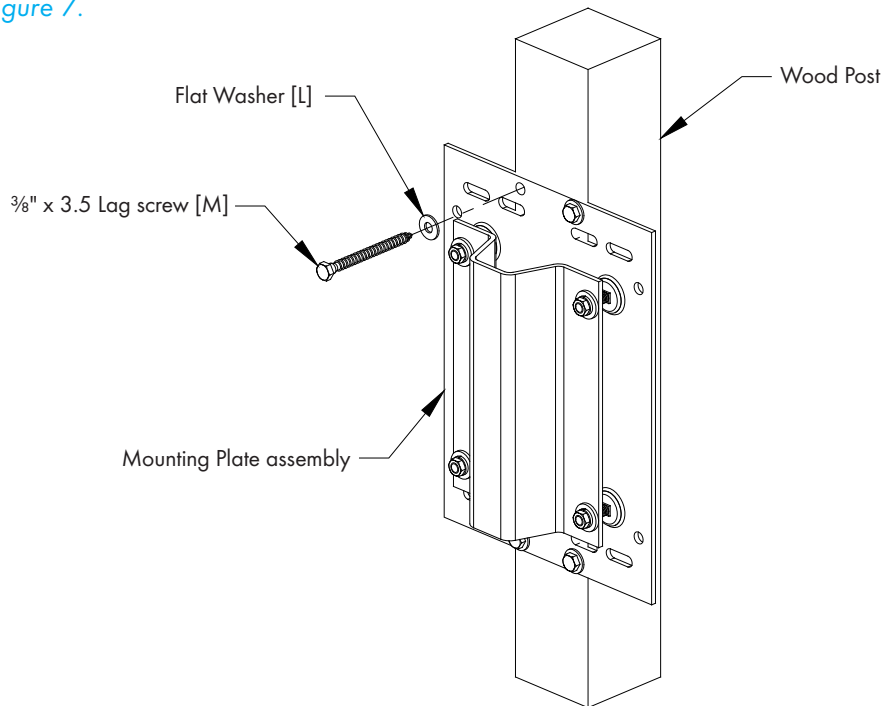


Figure 7

## 2.4 Round Post Mounting

### Step 8

Attach Mounting Plate assembly to round post using (2) 'U' bolts and flat washers, lock washers and nuts (not provided). See Figure 8.

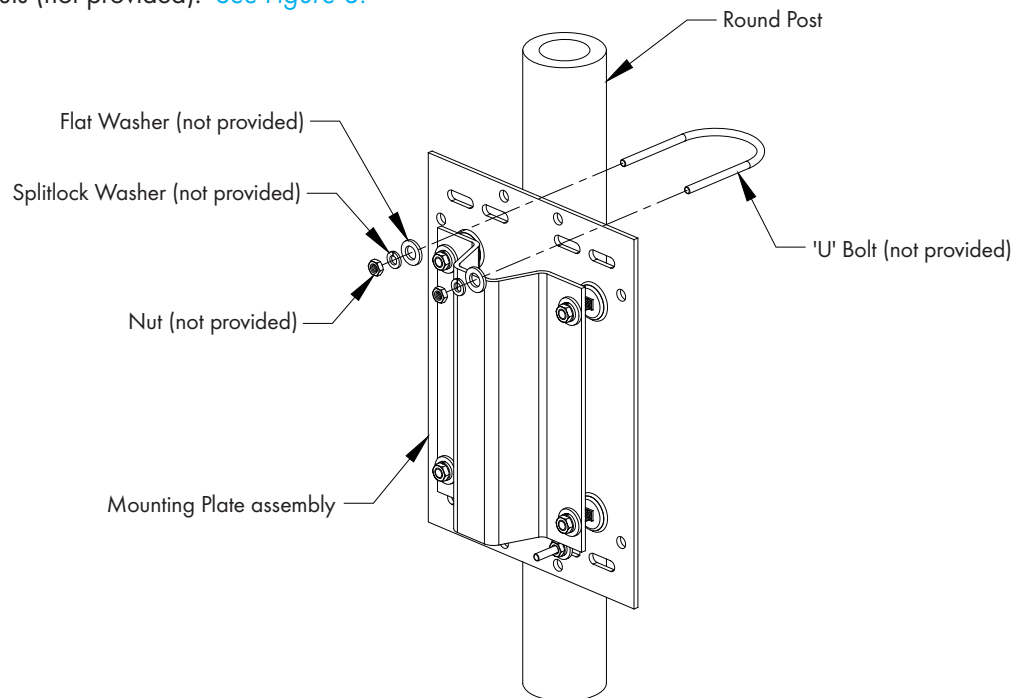


Figure 8

**Step 9**

Slide Fan Pipe Hanger into Mounting Plate assembly so pipe stops at tab. Rotate fan and Fan Pipe Hanger to desired angle and tighten nuts on Pipe Retainer to secure fan in place. See Figure 9.

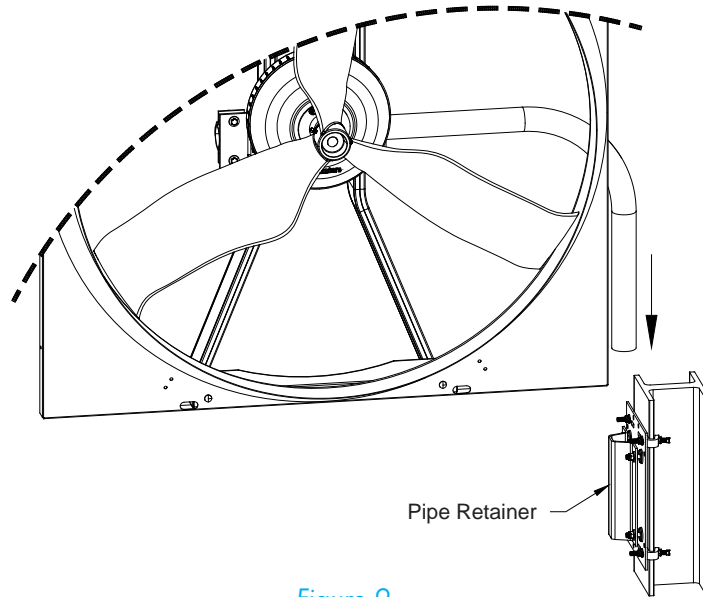


Figure 9

**Step 10**

Rotate fan to desired angle for air flow. Tighten bolts of Pipe Clamps to secure fan at desired angle. See Figure 10A and 10B. The standard angle is 10 - 15°.

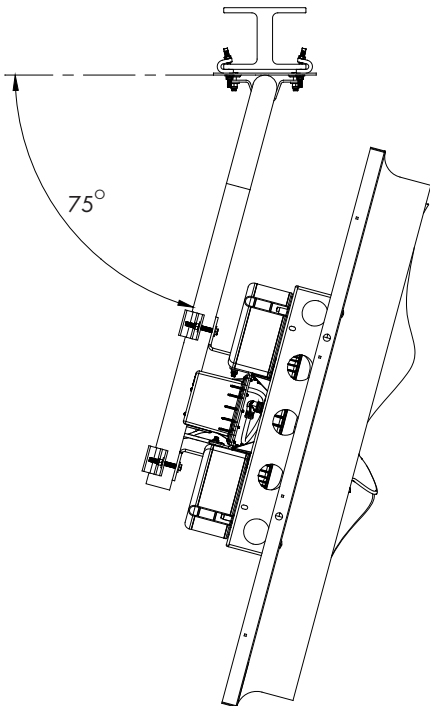


Figure 10A

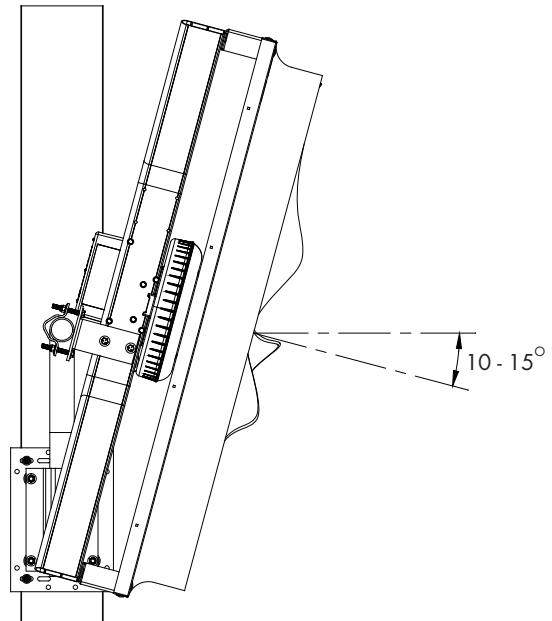


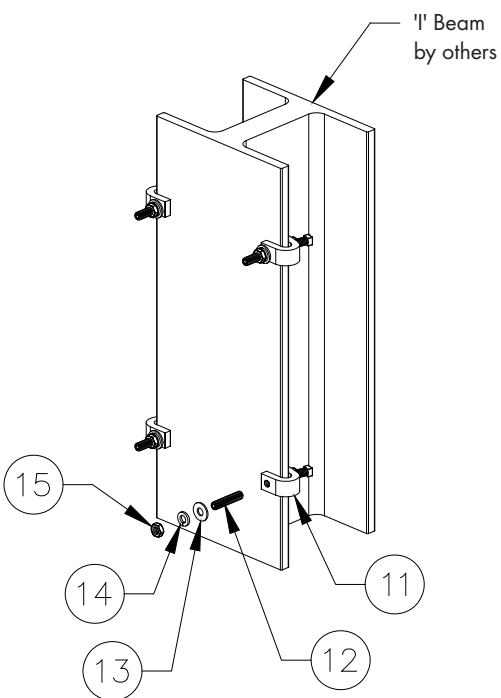
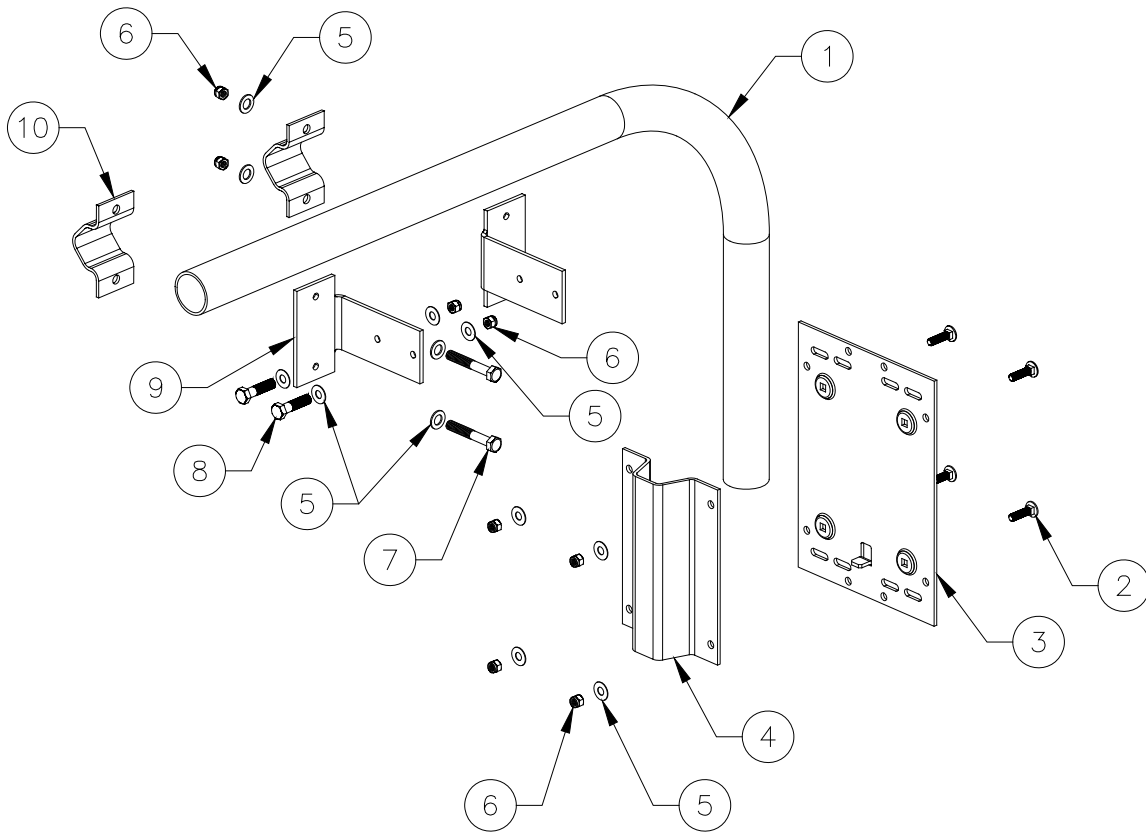
Figure 10B

**NOTE:** Fan Comes unguarded. If a Guard Kit was purchased, Install guard at this time.

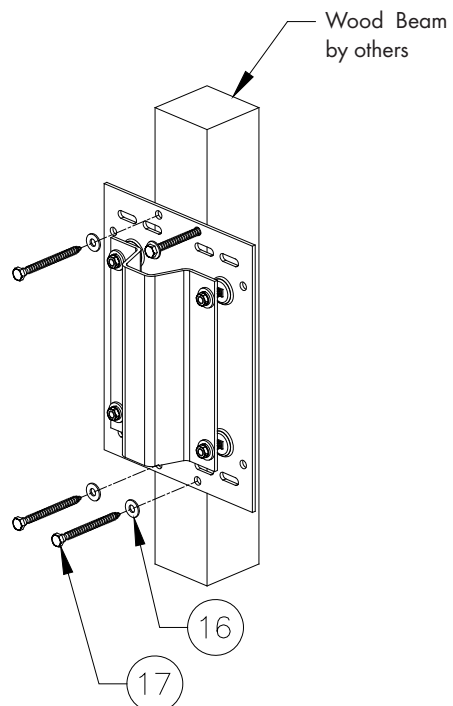
**Step 11** Proceed to fan installation instructions for wiring and operation.

# Exploded View

# 3.



Optional FA1663 Kit



Optional FA1664 Kit

Item	Cat. No.	Part Name/Description	Qty.
1	FH1715	Fan Pipe Hanger	1
2	KS1509	3/8"-16 x 1.5" Carriage Bolt, ZP	4
3	FH1716	Fan Hanger Mounting Plate	1
4	FH1717	Fan Hanger Pipe Retainer	1
5	KW3036	3/8" Flat Washer, ZP	20
6	KN1709	3/8"-16 Nylock Nut, ZP	12
7	KS1037	3/8"-16 x 3" Hex Bolts, ZP	4
8	KS1064	3/8"-16 x 2.25" Hex Bolts, ZP	4
9	FH1718	Fan Hanger Bracket	2
10	FH1612	Pipe Clamps	2
<b>Optional FA1663 Kit</b>			
11	KX2804	1/2"-13 'I' Beam Clamp, CARBON STL	4
12	KS2806	1/2"-13 x 1.75" Threaded Insert, BLK	4
13	KW3044	1/2" Type-A Narrow Flat Washer, ZP	4
14	KW3512	1/2" Splitlock Washer, ZP	4
15	KN1010	1/2"-13 Hex Nut, ZP	4
<b>Optional FA1664 Kit</b>			
16	KW3007	3/8" Flat Washer, Type - A, Narrow, SS	4
17	KS2462	3/8" x 3.5" Lag Screw, GV	4

AX51 with Munters Drive Fan Hanger Kit is developed and produced by Munters Corporation, Lansing, Michigan U.S.A. 1-800-227-2376



Munters Europe AB, Isafjordsgatan 1, P.O. Box 1150, SE-164 26 Kista, Sweden. Phone +46 08 626 63 00, Fax +46 8 754 56 66.

Munters Corporation 2691 Ena Drive Lansing, MI 48917 U.S.A. Phone +1 800-227-2376, Fax +1 517-676-7078

[www.munters.us/aghort](http://www.munters.us/aghort)

**Australia** Munters Pty Limited, Phone +61 2 6025 6422, **Brazil** Munters Brasil Industria e Comercio Ltda, Phone +55 41 3317 5050, **Canada/US** Munters Corporation Lansing, MI Phone +1 517 676 7070, **China** Munters Air Treatment Equipment (Beijing) Co. Ltd, Phone +86 10 80 481 121, **Denmark** Munters A/S, Phone +45 9862 3311, **India** Munters India, Phone +91 20 3052 2520, **Indonesia** Munters, Phone +62 818 739 235, **Italy** Munters Italy S.p.A., Chiusavecchia, Phone +39 0183 52 11, **Japan** Munters K.K., Phone +81 3 5970 0021, **Korea** Munters Korea Co. Ltd., Phone +82 2 761 8701, **Mexico** Munters Mexico, Phone +52 818 262 54 00, **Russia** Munters AB, Phone +7 812 448 5740, **Singapore** Munters Pte Ltd., Phone +65 744 6828, **South Africa and Sub-Sahara Countries** Munters (Pty) Ltd., Phone +27 11 997 2000, **Spain** Munters Spain S.A., Phone +34 91 640 09 02, **Sweden** Munters AB, Phone +46 8 626 63 00, **Thailand** Munters Co. Ltd., Phone +66 2 642 2670, **Turkey** Munters Form Endüstri Sistemleri A.Ş, Phone +90 322 231 1338, **USA** Munters Corporation Lansing, MI Phone +1 517 676 7070, **Vietnam** Munters Vietnam, Phone +84 8 3825 6838, **Export & Other countries** Munters Italy S.p.A., Chiusavecchia Phone +39 0183 52 11