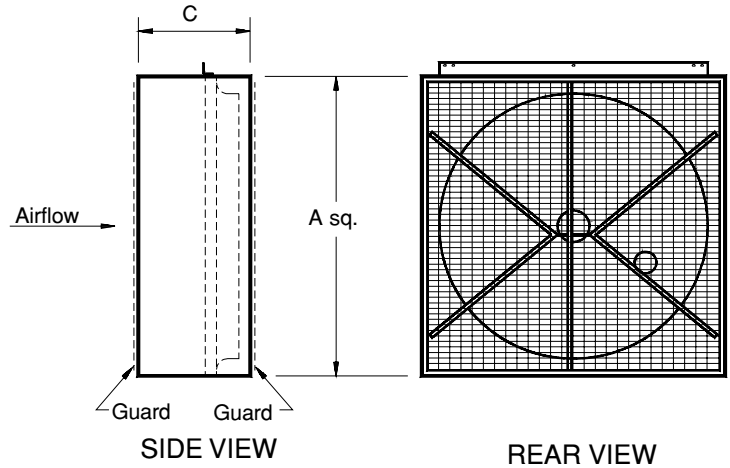


Each Housing Includes:

- 3 - Top or Side Panels (all the same)
- 1 - Bottom Panel with 5 Drain Holes
- 1 - Support Bracket
- 2 - Guard Braces
- 2 - Guards (see chart for size)
- 1 - Hardware Package (HP1015) , including:
 - 32 - #10 x 1/2" TEK Screws
 - 20 - 1/4" x 3/4" TEK Screws
 - 20 - 2 1/2" Guard Mounting Clip

NOTE: This housing is designed to mount intake and exhaust guards to a fan. It should not be installed as a wall housing or used to mount a shutter. If bottom of housing is less than 7' above floor, OSHA approved guards may be required.



CAT. NO.	FAN DIA.	A	C	GUARD SIZE
365GRF	36"	42 1/4"	18"	40" x 40"
427GRF	42"	48 1/4"	18"	46" x 46"
481GRF	48"	54 1/4"	20"	52" x 52"

INSTALLATION INSTRUCTIONS

⚠ WARNING

ROTATING FAN BLADES.
 Operation of fan without wire screens or guards may result in direct contact with blades and cause severe personal injury or death.

- 1) Remove housing panels, guards and fan from shipping cartons.
- 2) Find bottom panel of housing (with 5 large drain holes) and lay it on a flat surface. Place fan on bottom panel with 3 drain holes on intake side of fan and 2 drain holes on outlet side. *See Figure 1.*

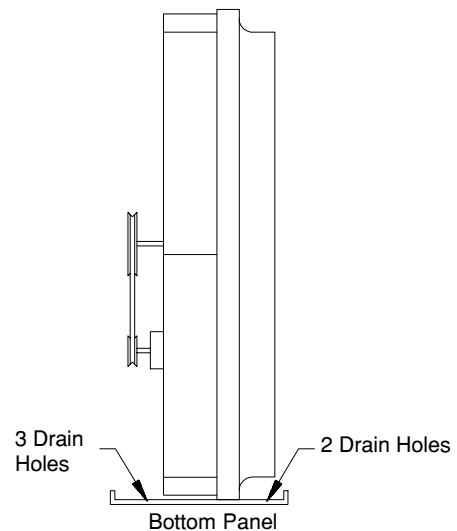


Figure 1

3) Attach side panels (all the same) to fan with (4) of the large TEK screws in each panel. **DO NOT** tighten screws at this time. Make sure that the flange on the end of each panel overlaps the end of the next panel.
See Figure 2.

See Figure 2.

4) Attach top panel and support bracket to fan using same procedure. *See Figure 2.*

5) Install and tighten small TEK screws in the (3) holes along each corner of housing.

6) Lay fan down and install (4) of the large TEK screws in bottom panel.

7) Now tighten all of the large TEK screws.

8) Set fan up on bottom panel. Install front and rear guard braces as shown in *Figure 2*. Large TEK screws should be used. Two slots are provided near the center of each panel, but only one is needed.

9) Attach front and rear wire mesh guards with clips and #10 x 1/2" TEK screws, 3 clips per side and 2 clips on top and bottom. Fold clips in half before installing. *See Figure 3.*

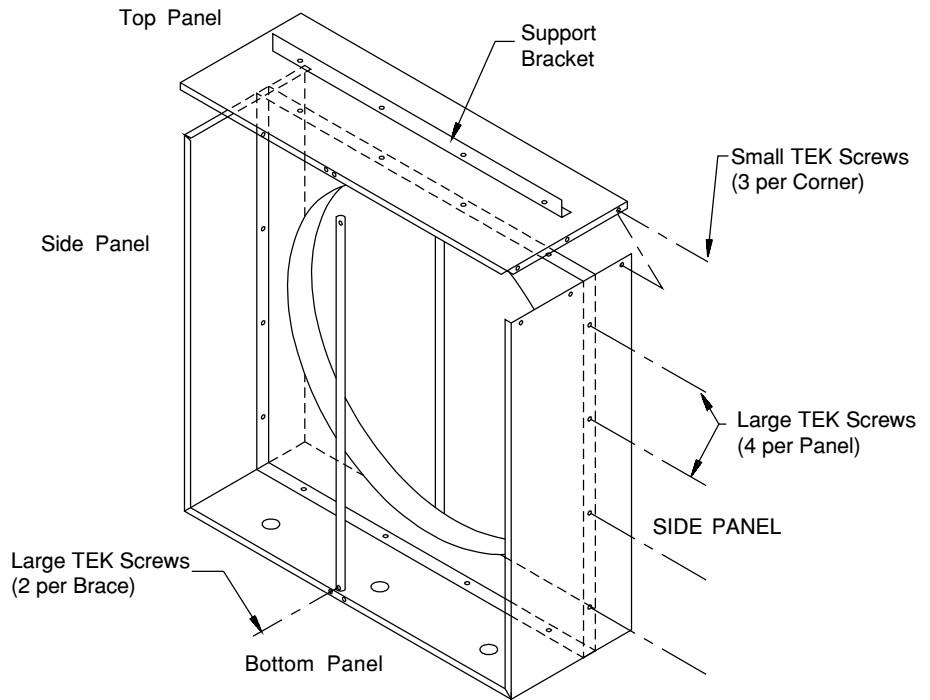


Figure 2



NOTE: You may want to wire the fan motor and suspend the unit before installing the rear guard.

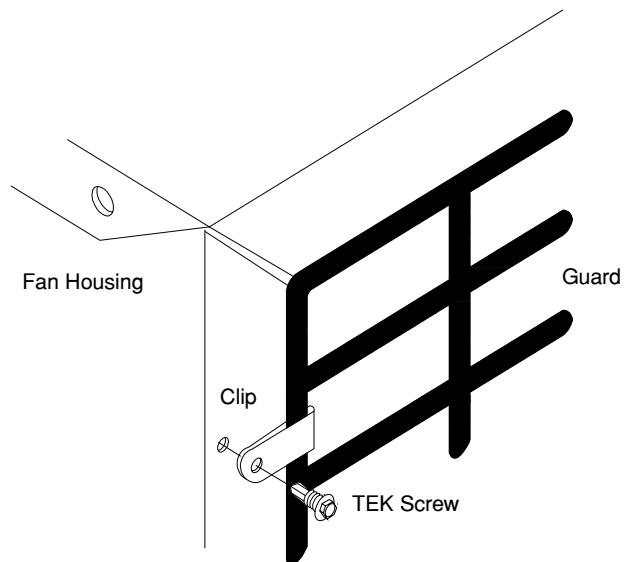


Figure 3

WARRANTY: See Aerotech, Inc. Limited Warranty Statement

AEROTECH, INC.
 4215 Legion Dr. Mason, MI 48854-1036 USA
 Ph. (517) 676-7070 Fax (517) 676-7078

FORM: QM1207
 Rev. 1, August 1997
 Page 2 of 2