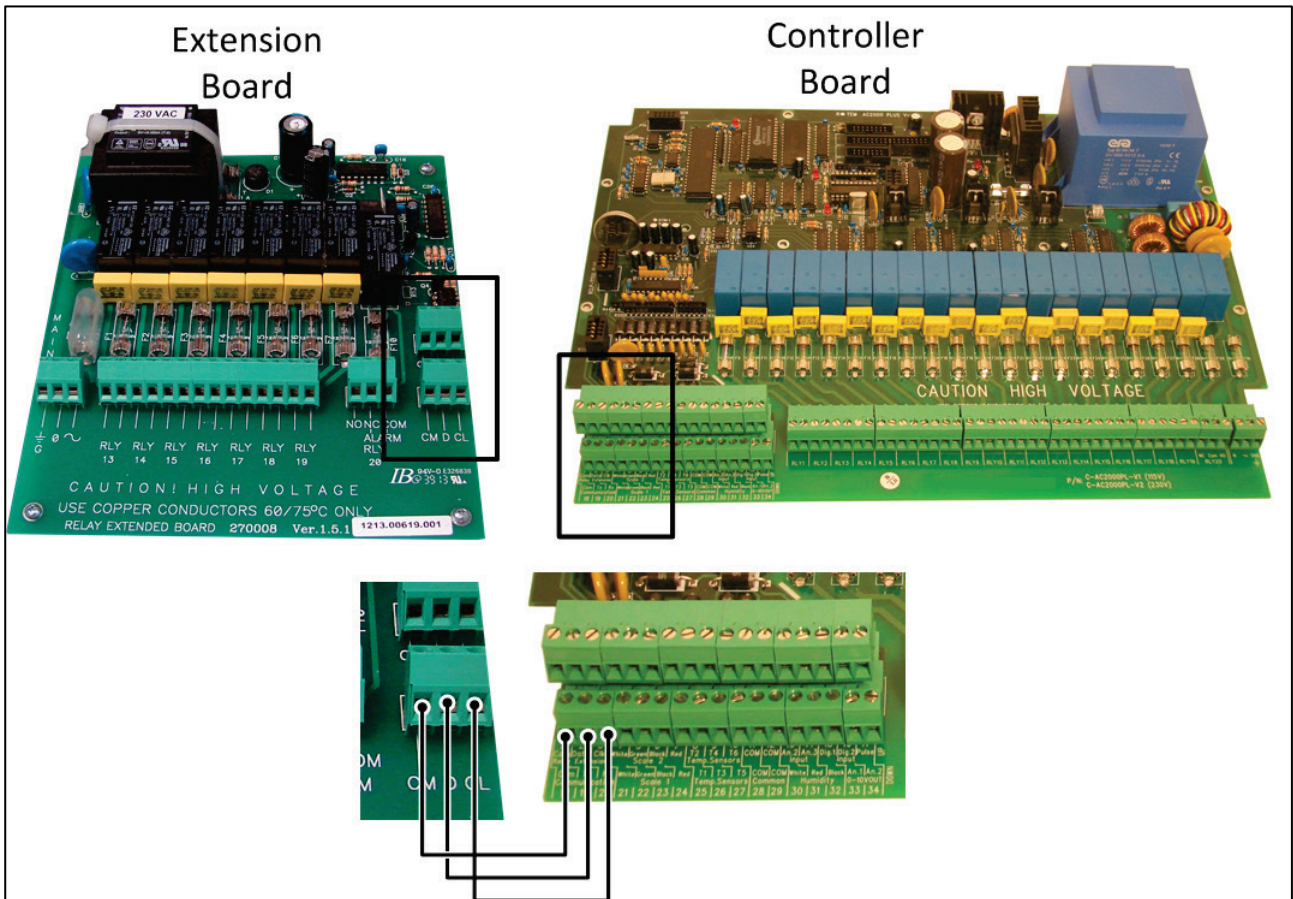




AC-2000 Extension to AC-2000 Installation Guide

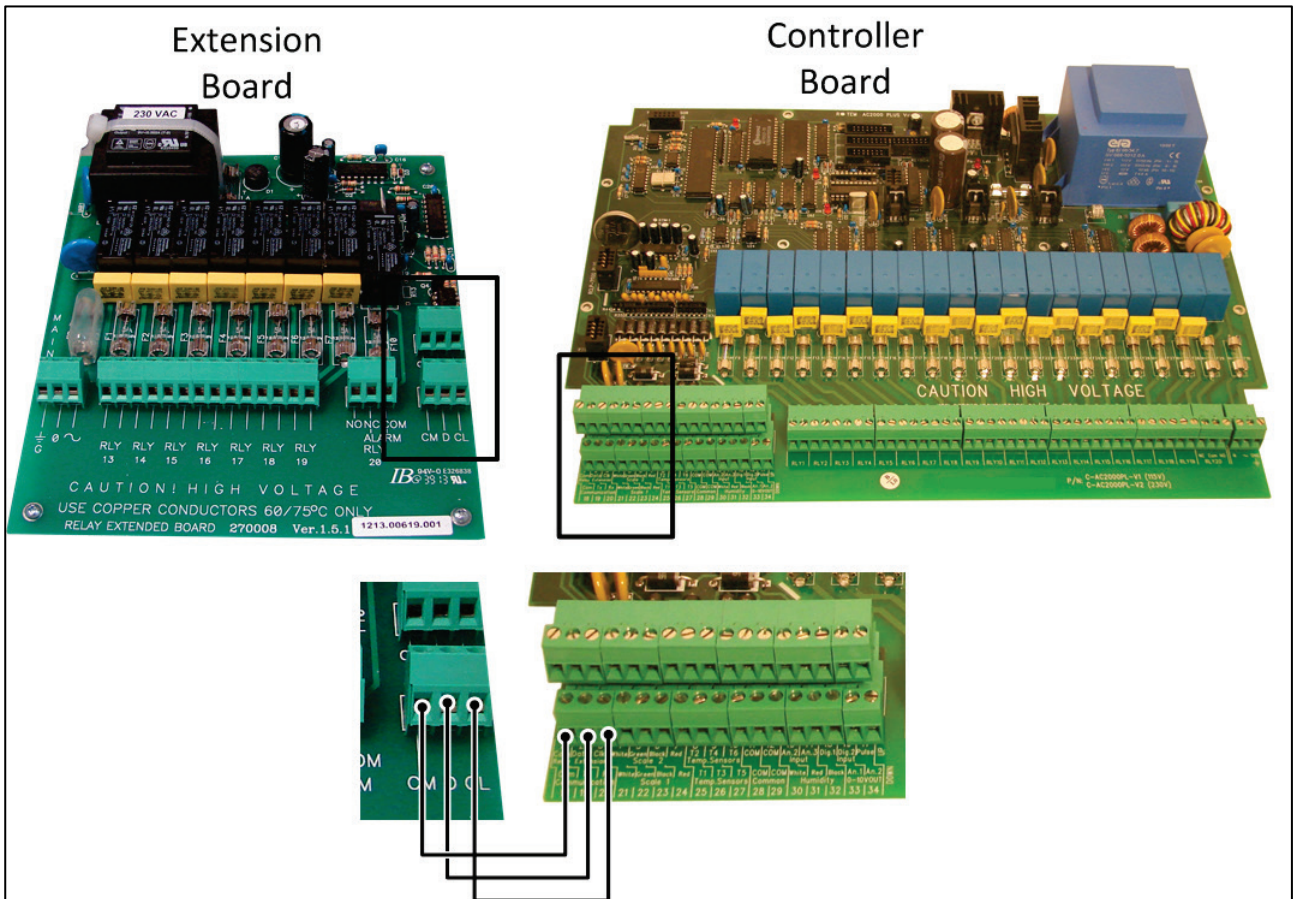


Farm Pro Extension
 CL
 D
 CM

Farm Pro Low Voltage Terminal
 Clk Ext
 Data Ext
 COM Relay



AC-2000 Extension to AC-2000 Installation Guide



Farm Pro Extension
 CL
 D
 CM

Farm Pro Low Voltage Terminal
 Clk Ext
 Data Ext
 COM Relay

Installation

- The Extension Box must be installed by an authorized electrician. Disconnect the power to avoid electrical shock and damage.
- To avoid exposing the Extension Box to harmful gases or high humidity, install the unit in the service room.
- Installation Category (Overvoltage Category) III
- The power supply to the Extension Box should be protected by 5 Amps circuit breaker.
 1. Open the enclosure lid by unfastening the two screws to the left-hand side in the front.
 2. Place the required cables through the cable holders at the bottom of the unit.
 3. Connect the wires according to the wiring diagrams:
 4. Close the Extension Box enclosure lid carefully and tightly. Use RTV silicon or equivalent sealant to seal the cable holders.
 5. After completing the installation, operate the Extension Box for a few hours and re check for proper operation.

Specifications

Input Voltage Supply	Single phase 110 VAC (USA & CANADA)
	Single phase 240 VAC (ROW)
	0.315 Amp, 50 - 60 Hz
Relays Outputs	5 Amp. Normally Open Relays
Alarm Output	NO and NC Pilot Duty
Operating Temperature Range	-10° to +50° C (14° to 122° F)
Enclosure	Water and dust tight (IP55)
Fuses	Main Fuse: 0.315 Amp Slow
	Relays Fuse: 5 Amp. Slow

Environmental Protection



Recycle raw materials instead of disposing as waste. The controller, accessories and packaging should be sorted for environmental-friendly recycling. The plastic components are labeled for categorized recycling.

Installation

- The Extension Box must be installed by an authorized electrician. Disconnect the power to avoid electrical shock and damage.
- To avoid exposing the Extension Box to harmful gases or high humidity, install the unit in the service room.
- Installation Category (Overvoltage Category) III
- The power supply to the Extension Box should be protected by 5 Amps circuit breaker.
 1. Open the enclosure lid by unfastening the two screws to the left-hand side in the front.
 2. Place the required cables through the cable holders at the bottom of the unit.
 3. Connect the wires according to the wiring diagrams:
 4. Close the Extension Box enclosure lid carefully and tightly. Use RTV silicon or equivalent sealant to seal the cable holders.
 5. After completing the installation, operate the Extension Box for a few hours and re check for proper operation.

Specifications

Input Voltage Supply	Single phase 110 VAC (USA & CANADA)
	Single phase 240 VAC (ROW)
	0.315 Amp, 50 - 60 Hz
Relays Outputs	5 Amp. Normally Open Relays
Alarm Output	NO and NC Pilot Duty
Operating Temperature Range	-10° to +50° C (14° to 122° F)
Enclosure	Water and dust tight (IP55)
Fuses	Main Fuse: 0.315 Amp Slow
	Relays Fuse: 5 Amp. Slow

Environmental Protection



Recycle raw materials instead of disposing as waste. The controller, accessories and packaging should be sorted for environmental-friendly recycling. The plastic components are labeled for categorized recycling.