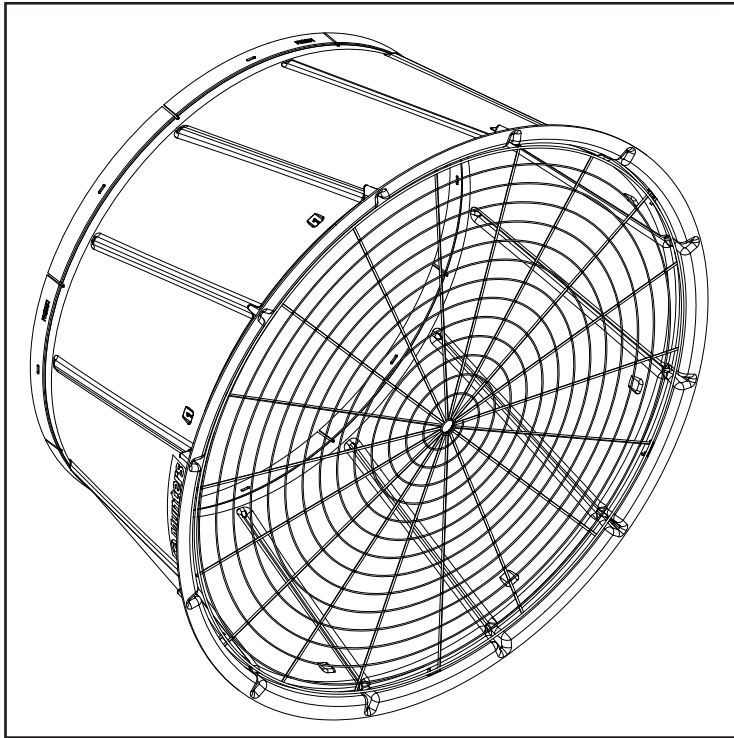


# Instruction Manual



**Discharge  
Cone**  
"RC" Series  
36", 48", 51", 55"

## Discharge Cone

"RC" Series for 36", 48", 51" and 55" Fans

Models: 36RC • 48RC • 51RC • 55RC

# Discharge Cone “RC” Series

## Instructions for Use and Maintenance

### Thank You:

Thank you for purchasing a Munters “RC” Series Discharge Cone. Munters equipment is designed to be the highest performing, highest quality equipment you can buy. With the proper installation and maintenance it will provide many years of service.

### Please Note:

To achieve maximum performance and insure long life from your Munters product it is essential that it be installed and maintained properly. Please read all instructions carefully before beginning installation.

### Warranty:

For Warranty claims information see the “Warranty Claims and Return Policy” form QM1021 available from the [Munters Corporation office at 1-800-227-2376 or by e-mail at aghort.info@munters.com](mailto:aghort.info@munters.com).

### Conditions and Limitations:

- Products and Systems involved in a warranty claim under the “Warranty Claims and Return Policy” shall have been properly installed, maintained and operated under competent supervision, according to the instructions provided by Munters Corporation.
- Malfunction or failure resulting from misuse, abuse, negligence, alteration, accident or lack of proper installation or maintenance shall not be considered a defect under the Warranty.

# Index

Chapters	Page
1. Unpacking the Equipment	4
1.1 Parts List	4
1.2 Dimensions	4
2. Installation Instructions	5
3. Winterizing	8
3.1 Winterizing	8
3.2 Winter Weather Protection	8
4. Exploded View and Parts List	9

# Unpacking the Equipment

# 1.

Before beginning installation, check the overall condition of the equipment. Remove packing materials, and examine all components for signs of shipping damage. Any shipping damage is the customer's responsibility and should be reported immediately to your freight carrier.

## 1.1 Parts List

Each Cone Includes:

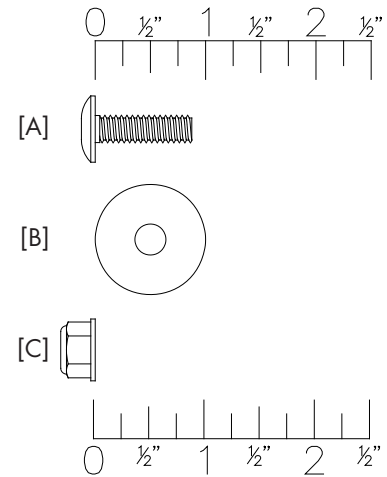
- 1 - Cone
- 1 - Guard
- 1 - Hardware Package for the following:

*HP1099 - 36RC/48RC/51RC/55RC Cone with Snap-in Guard*

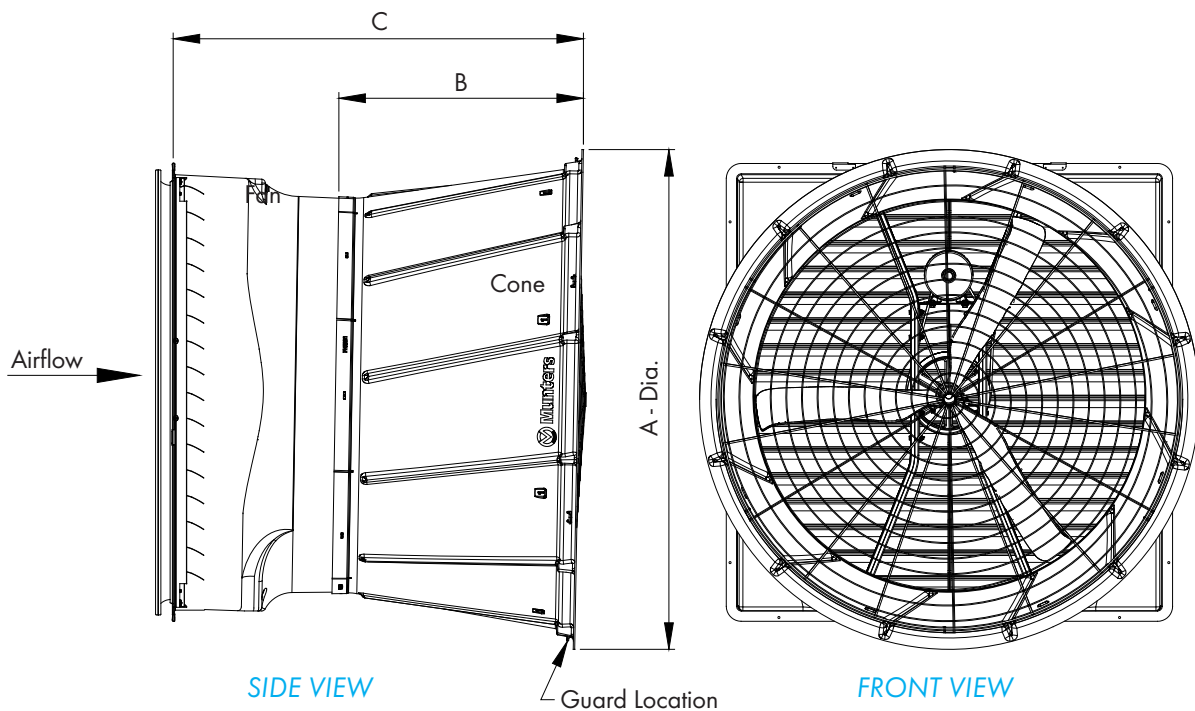
ID	Qty.	Cat. No.	Description
[A]	8	KS0650	1/4"-20 x 7/8" Truss Head Bolt, SS
[B]	8	KW3012	1/4" x 1" O.D. Flat Washer, SS
[C]	8	KN1717	1/4"-20 Hex Flange, Nylock Nut, SS

*HP1149 - FH1551/FH1555 Cone only w/ existing Bolt-in Guard*

ID	Qty.	Cat. No.	Description
[A]	16	KS0650	1/4"-20 x 7/8" Truss Head Bolt, SS
[B]	8	KW3012	1/4" x 1" O.D. Flat Washer, SS
[C]	16	KN1717	1/4"-20 Hex Flange, Nylock Nut, SS



## 1.2 Dimensions



Cat. No.	Fan Dia.	A - Dia.	B	C
36RC	36"	50 <sup>3</sup> / <sub>8</sub> "	28 <sup>7</sup> / <sub>16</sub> "	50 <sup>13</sup> / <sub>16</sub> "
48RC	48"	63 <sup>5</sup> / <sub>8</sub> "	32 <sup>7</sup> / <sub>16</sub> "	55 <sup>3</sup> / <sub>8</sub> "
51RC	51"	65"	32 <sup>5</sup> / <sub>16</sub> "	54 <sup>3</sup> / <sub>16</sub> "
55RC	55"	70"	34 <sup>3</sup> / <sub>8</sub> "	58 <sup>9</sup> / <sub>16</sub> "

# Installation Instructions

# 2.

## 2.1 Install

### Step 1

Installing the one piece cone may require 2 people. If temperature is above 50°F then proceed to Step 3. If temperature is below 50°F then proceed to Step 2.

### Step 2

Using Locking Sheet Metal Pliers bend the cone tabs outward to allow the cone to slide onto the fan easier.

See Figure 1.

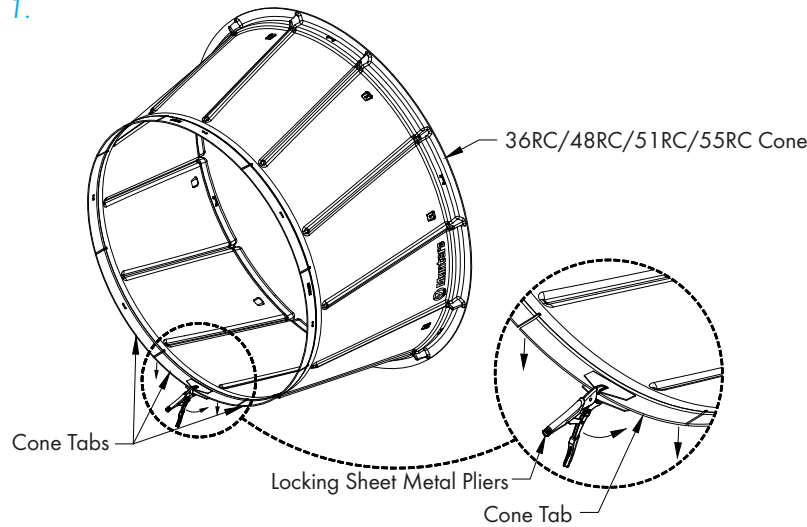


Figure 1

### Step 3

Look for the "TOP" label on the Polycone and set the top of the Polycone on top of the fan orifice and install (2) Truss Head Bolts [A] through holes in fan outlet through the slots in the cone at about the 10 and 2 o'clock positions and fasten with Washers [B] and Flange Nuts [C]. Truss head of each bolt must be on the inside of the fan outlet; washers and flange nuts must be on outside of cone. See Figure 2A and 2B. Finger tighten nuts only at this time.

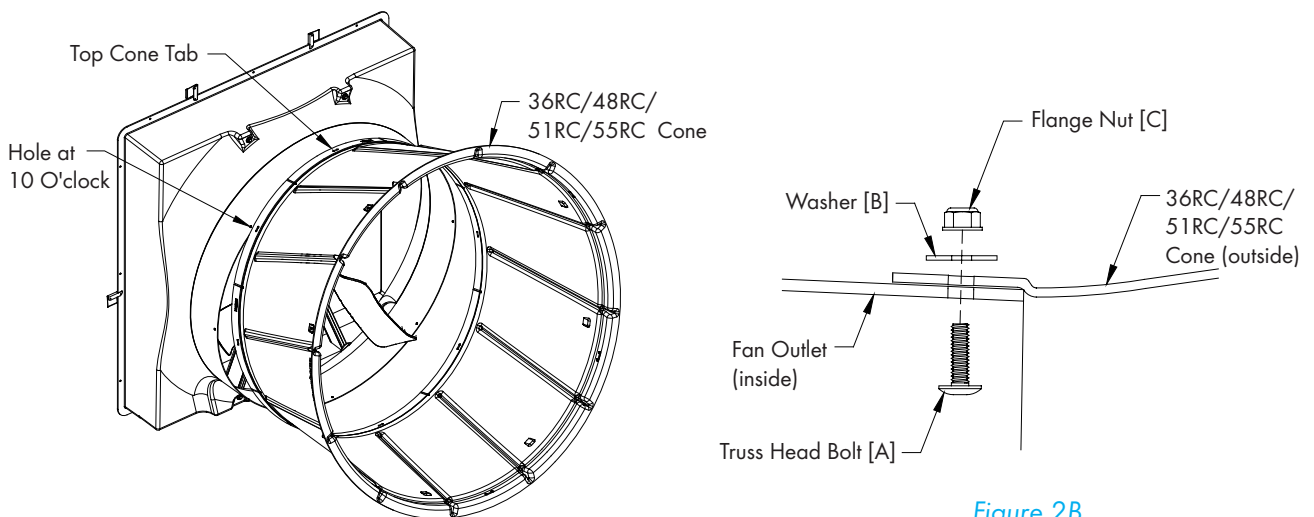


Figure 2B

Figure 2A

**Step 4**

Work down the sides of the cone, sliding the cone tabs onto the fan until the bottom tab is in place. Keep pressure on the cone to make sure tabs stay on the fan. Install (6) Truss Head Bolts [A], Washers [B] and Flange Nuts [C] in the remaining holes in the fan outlet and slots in the cone to finish securing cone to fan. See [Figure 2B](#) and [Figure 3](#). Tighten all nuts at this time, making sure not to over tighten.

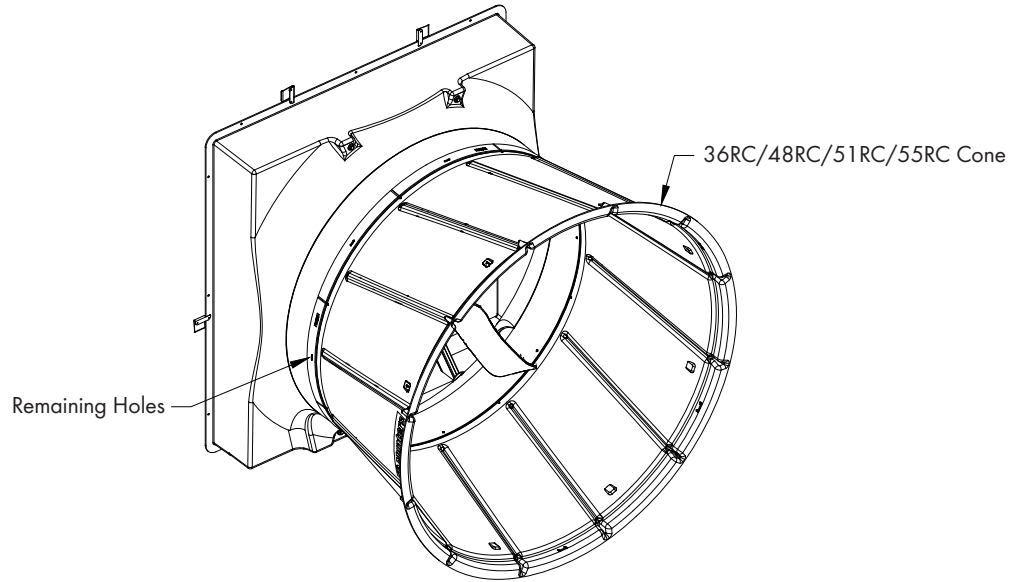


Figure 3

**NOTE:**

If installing your existing guard in the new Polycone then proceed to Step 7. If installing the new snap-in guard then proceed to Step 5.

**Step 5**

The snap-in guard has a slight conical shape to it so, when installed the center of the guard should protrude out slightly. See [Figure 4A](#).

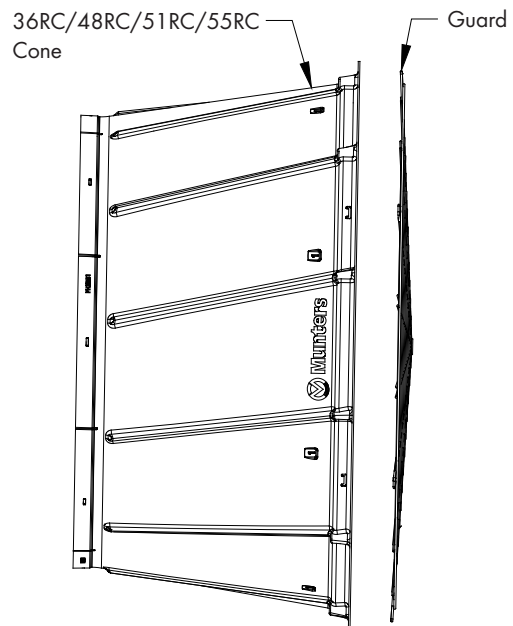


Figure 4A

**Step 6**

Starting at the bottom of the cone, locate one of the guard tabs and put the guard tab through the guard slot in the cone. See [Figure 4B](#). Then work up around the guard and install each of the other guard tabs in each of the corresponding guard slots. Some force may be required to snap the last tab into the last slot, pull out on the center of the cone while pushing in on the guard tab until it snaps into place.

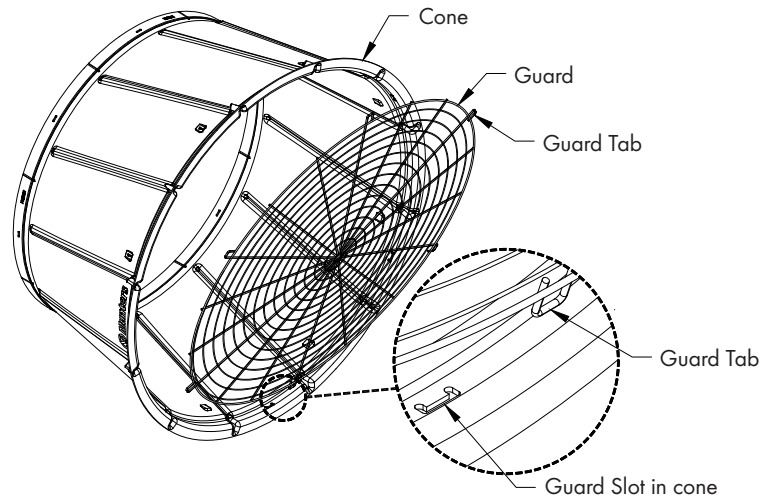


Figure 4B

**Step 7**

If installing your existing guard into the new 36" cone push the existing guard into the cone until it stops and rotate the guard so each of the guard eyelets are on a flat surface and drill a  $\frac{9}{32}$ " dia. hole in the center of each eyelet. Then fasten guard in place using (8) Truss Head Bolts [A] and Flange Nuts [C]. If installing your existing guard into the new 48", 51" or 55" cone, locate the flat guard mounting pads on the cone and drill a  $\frac{9}{32}$ " dia. hole in the center of each pad. Then insert existing guard into cone with the guard eyelets facing away from you. Line up each eyelet with a hole in the guard pads. Secure guard to cone using (8) Truss Head Bolts [A] and Flange Nuts [C]. See [Figure 5A and 5B](#). Tighten all nuts at this time.

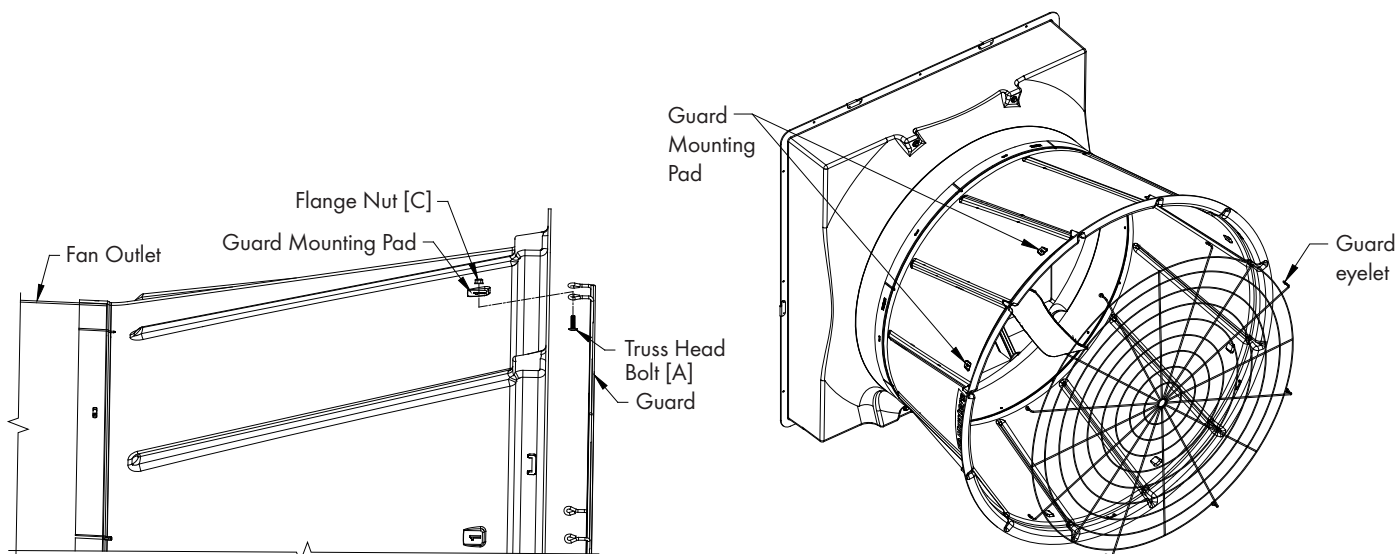


Figure 5A

Figure 5B

## 3.1 Winterizing

In most climates, it is probable that the ventilation system will never need to operate at a total capacity during the colder winter months. Consequently, it is advisable to “winterize” those fans which will not be used in cold weather to avoid unnecessary heat loss and condensation.

To winterize, turn fan control “off”. Install the insulated closure panel over the fan intake. If you don’t have an insulated closure panel, a piece of rigid insulation material can be used. Remember the insulation panel must be removed before warmer weather returns.

**NOTE:** At least one single speed fan should be left uncovered and with power available to provide air movement in the event of variable speed control difficulties.

## 3.2 Winter Weather Protection

To prevent cone or fan damage from snow or ice sliding off building roof, weather protection must be provided. A weather shelter may be constructed to cover the entire fan, *See Figure 6*, or snow guards may be placed on the roof, *See Figure 7*.

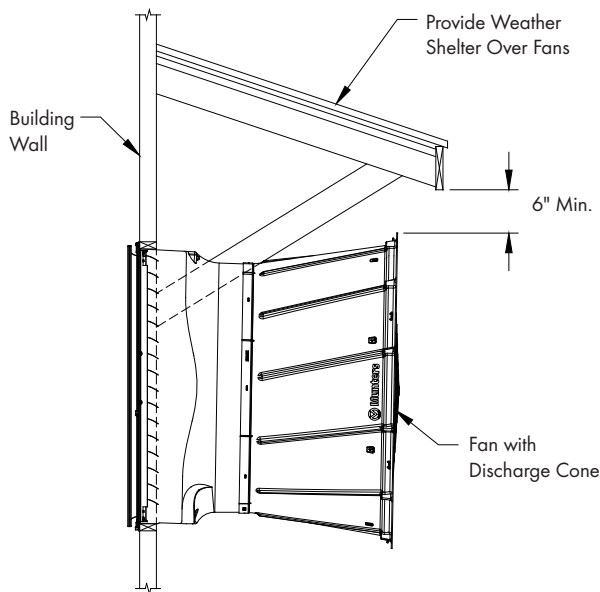


Figure 6

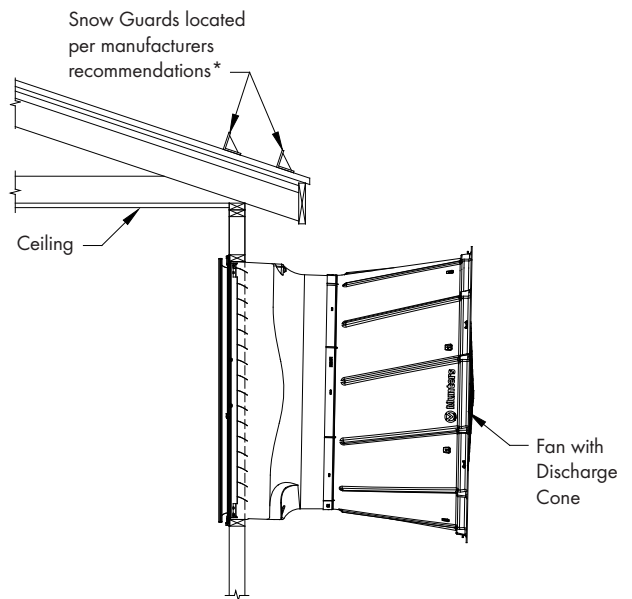


Figure 7

### \* Snow Guard Suppliers

Company Name	Phone No.	Fax No.	Web Site
Snojax, Inc.	800-766-5291	717-697-2452	www.snojax.com
Polar Blox	800-298-4328	814 629-9090	www.polarblox.com
LM Curbs	800-284-1412	903 759-3598	www.lmcurbs.com
Alpine Snow Guards	888-766-4273	888-766-9994	www.alpinesnowguards.com

### **IMPORTANT**

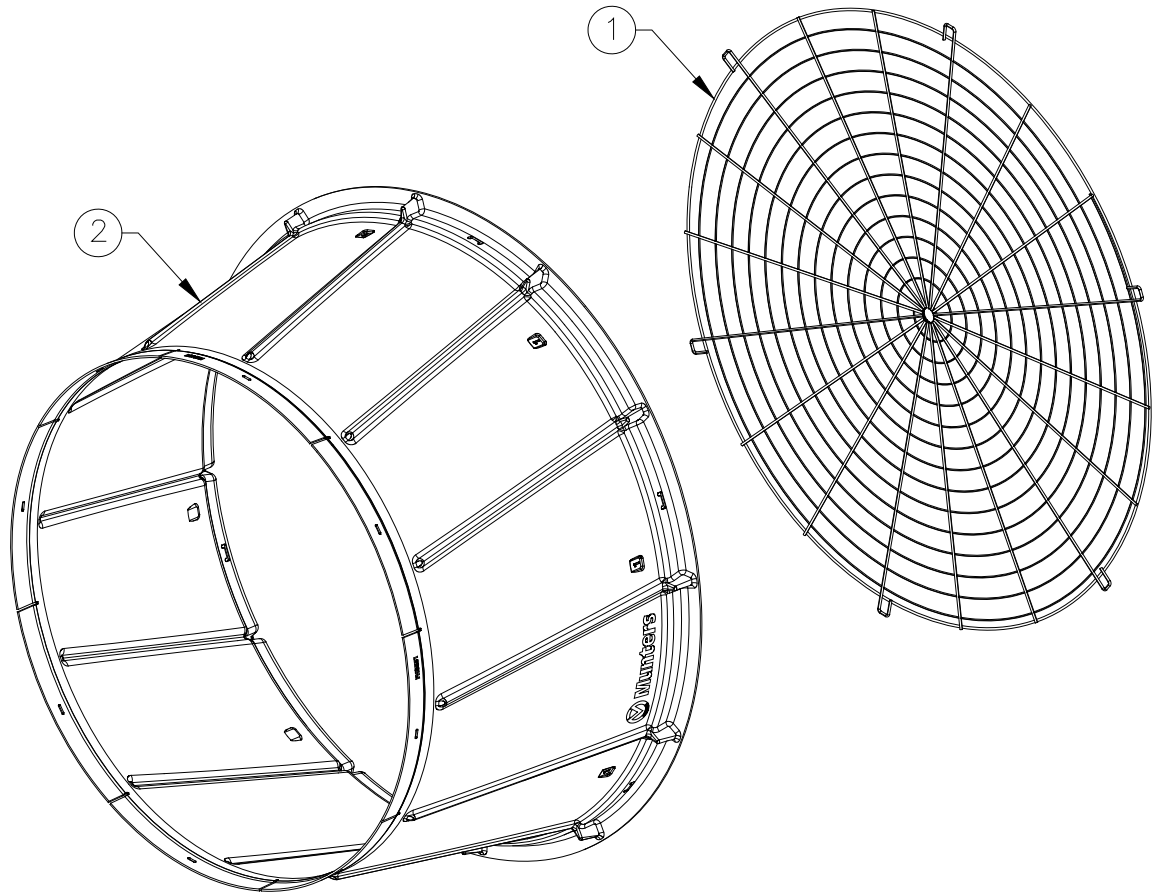
Munters Product and System Warranties do not cover cone or fan damage from external sources.

**Note:** Snow guards are designed to prevent sudden, dangerous snow and ice slides when attached to the building roof according to manufacturers recommendations. The supplier listing above is given as a reference only. Munters does not endorse any specific snow guard product and no performance warranty is implied.



# Exploded View and Parts List

# 4.



Item	Catalog Number				Part Name/Description	Qty
	36RC	48RC	51RC	55RC		
1	FH8736	FH8748	FH8851	FH8855	Guard kit, One piece cone, PVC CTD	1
2	FH3536	FH3548	FH3551	FH3555	Discharge Cone, Plastic (1) Piece	1

"RC" Discharge Cone is developed and produced by Munters Corporation, Lansing, Michigan U.S.A. 1-800-227-2376



Munters Europe AB, Isafjordsgatan 1, P.O. Box 1150, SE-164 26 Kista, Sweden. Phone +46 08 626 63 00, Fax +46 8 754 56 66.

Munters Corporation 2691 Ena Drive Lansing, MI 48917 U.S.A. Phone +1 800-227-2376, Fax +1 517-676-7078

[www.munters.us](http://www.munters.us)

[Australia](#) Munters Pty Limited, Phone +61 2 6025 6422, [Brazil](#) Munters Brasil Industria e Comercio Ltda, Phone +55 41 3317 5050, [Canada/US](#) Munters Corporation Lansing, MI Phone +1 517 676 7070, [China](#) Munters Air Treatment Equipment (Beijing) Co. Ltd, Phone +86 10 80 481 121, [Denmark](#) Munters A/S, Phone +45 9862 3311, [India](#) Munters India, Phone +91 20 3052 2520, [Indonesia](#) Munters, Phone +62 818 739 235, [Italy](#) Munters Italy S.p.A., Chiusavecchia, Phone +39 0183 52 11, [Japan](#) Munters K.K., Phone +81 3 5970 0021, [Korea](#) Munters Korea Co. Ltd., Phone +82 2 761 8701, [Mexico](#) Munters Mexico, Phone +52 818 262 54 00, [Russia](#) Munters AB, Phone +7 812 448 5740, [Singapore](#) Munters Pte Ltd., Phone +65 744 6828, [South Africa and Sub-Sahara Countries](#) Munters (Pty) Ltd., Phone +27 11 997 2000, [Spain](#) Munters Spain S.A., Phone +34 91 640 09 02, [Sweden](#) Munters AB, Phone +46 8 626 63 00, [Thailand](#) Munters Co. Ltd., Phone +66 2 642 2670, [Turkey](#) Munters Form Endüstri Sistemleri A.Ş, Phone +90 322 231 1338, [USA](#) Munters Corporation Lansing, MI Phone +1 517 676 7070, [Vietnam](#) Munters Vietnam, Phone +84 8 3825 6838, [Export & Other countries](#) Munters Italy S.p.A., Chiusavecchia Phone +39 0183 52 11