

Each Box includes:

1 - 18" or 24" Direct Drive Fan

Fan Specifications:

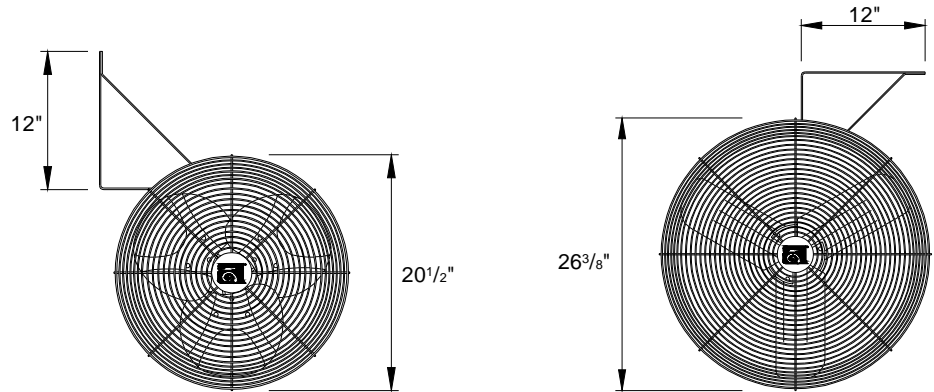
18" & 24" Fans

Power: 115 VAC

Phase: 1

Hertz: 60

NOTE: All bracket configurations fit both 18" and 24" fans.



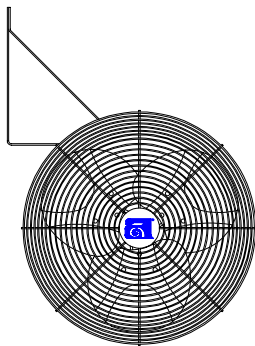
**18" FAN
SHOWN WITH
WALL MOUNT**

**24" FAN
SHOWN WITH
CEILING MOUNT**

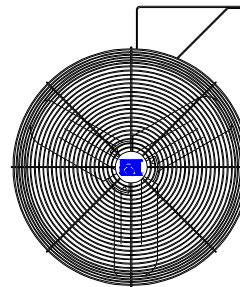
UNPACKING THE EQUIPMENT

Before beginning installation, check the overall condition of the equipment. Remove packing materials, and examine all components for signs of shipping damage. Any shipping damage is the customer's responsibility and should be reported immediately to the freight carrier.

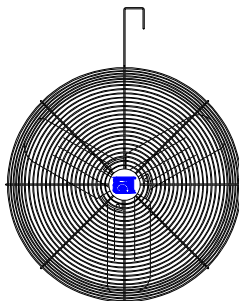
TYPICAL CONFIGURATIONS for 18" AND 24" FANS



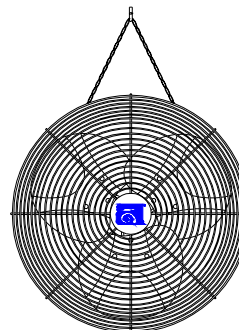
WALL MOUNT BRACKET
go to Step 1, page 2



CEILING MOUNT BRACKET
go to Step 3, page 2



SUSPENSION BRACKET
go to Step 6, page 3



CHAIN & S-HOOKS MOUNT BRACKET
go to Step 8, page 3

INSTALLATION INSTRUCTIONS

⚠ WARNING



High Voltage,
disconnect power
before installation.

WALL MOUNT:

- 1) With "notch" in motor mount facing upward, attach motor mount to wall bracket using (1) $\frac{3}{8}$ " x $2\frac{1}{2}$ " bolt through "hinge" in motor mount and secure with $\frac{3}{8}$ " lock washer and nut. Do not fully tighten at this time. *See Figure 1.*
- 2) Then attach motor assembly to motor mount using (1) $\frac{1}{2}$ " x $1\frac{1}{4}$ " bolt, lock washer, and nut and (1) $\frac{1}{4}$ " x 1" bolt with flat washer, lock washer and nut. *See Figure 1.* Position fan with wall bracket to desired location and secure to wall with lag screws or bolts (not provided). Set fan to desired angle and tighten all bolts.

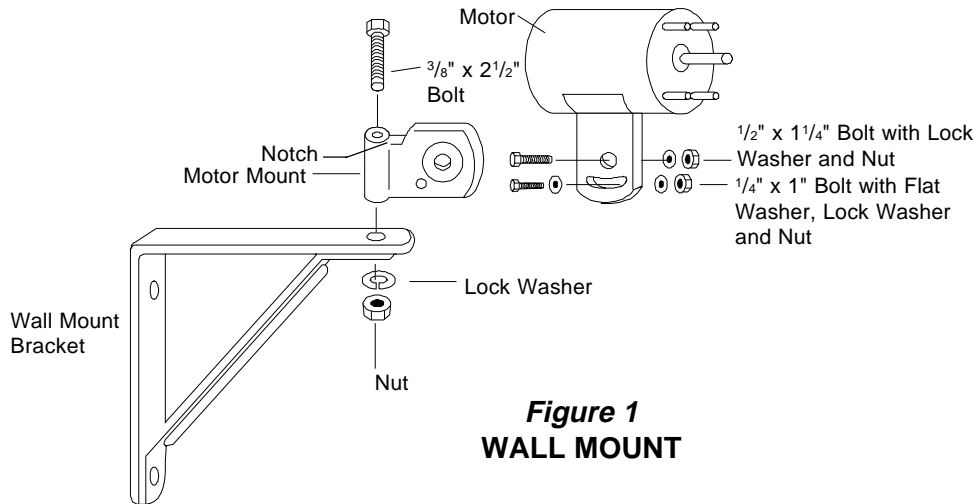


Figure 1
WALL MOUNT

CEILING MOUNT:

- 3) Using $\frac{3}{8}$ " x 1" bolt, star washer, lock washer and nut, fasten swivel bracket to ceiling bracket. Be sure to locate star washer between swivel bracket and ceiling bracket as shown in *Figure 2.*
- 4) With "notch" in motor mount facing downward, line up hole in swivel bracket with hole in hinge of motor mount. Fasten motor mount to swivel bracket using (1) $\frac{3}{8}$ " x $2\frac{1}{2}$ " bolt, lock washer and nut. *See Figure 2.*
- 5) Then attach motor assembly to motor mount using (1) $\frac{1}{2}$ " x $1\frac{1}{4}$ " bolt, lock washer and nut and (1) $\frac{1}{4}$ " x 1" bolt with flat washer, lock washer and nut. Position fan with ceiling bracket to desired location and secure to ceiling with lag screws or bolts (not provided). Set fan to desired angle and tighten all bolts. *See Figure 2.*

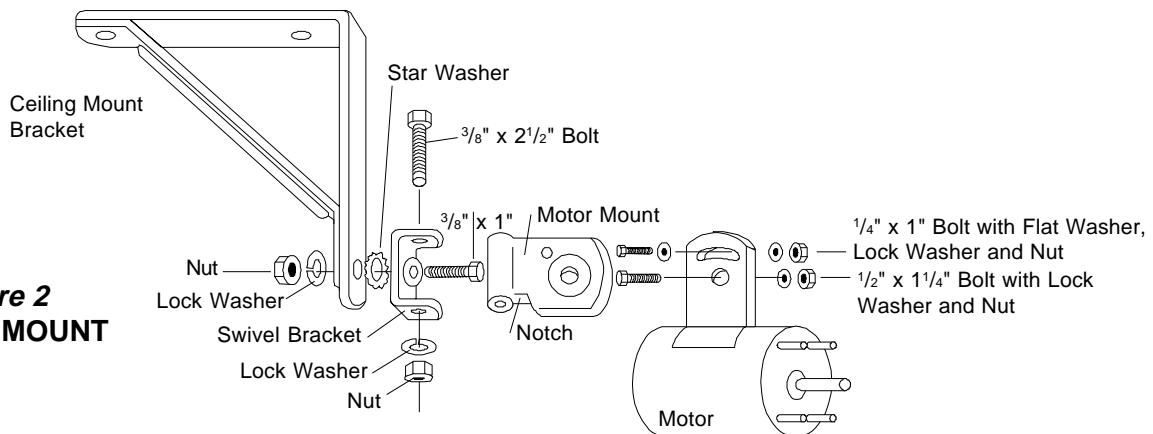
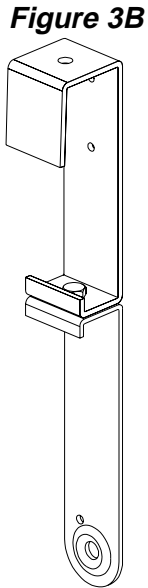
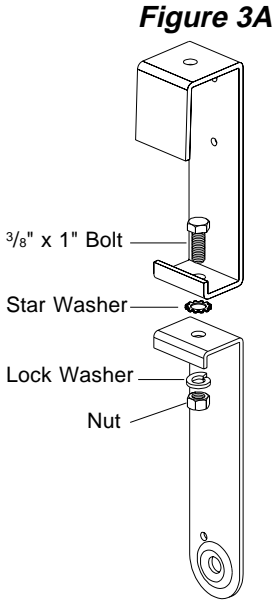


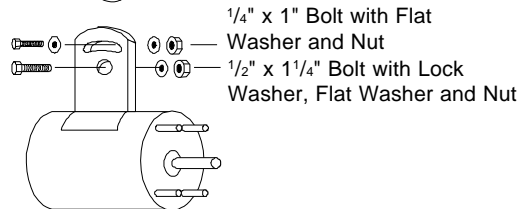
Figure 2
CEILING MOUNT

SUSPENSION BRACKET MOUNT:

6) Attach suspension bracket sections together using $\frac{3}{8}$ " x 1" bolt, star washer, lock washer and nut as shown in **Figure 3A**. Be sure to locate the star washer between the bracket sections



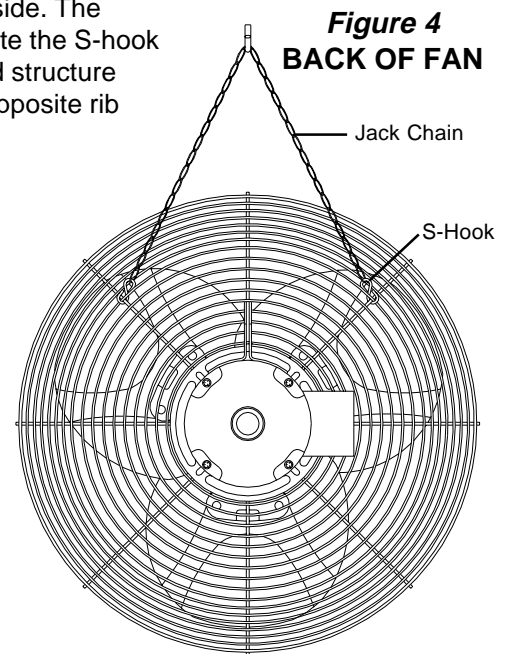
7) Then attach motor assembly to suspension bracket using (1) $\frac{1}{2}$ " x $1\frac{1}{4}$ " bolt, lock washer and nut and (1) $\frac{1}{4}$ " x 1" bolt with flat washer, lock washer and nut. Position fan with suspension bracket to desired location and secure with lag screws or bolts (not provided). Set fan to desired angle and tighten all bolts. **See Figure 3B.**



CHAIN & S-HOOKS MOUNT:

8) Install S-Hook on one end of jack chain and attach to guard on motor side. The hook must be fully closed on large rib wire and end of jack chain. Locate the S-hook about eight spiral wires from top of guard O.D. Then loop chain around structure support or through open eye bolt and secure with second S-hook on opposite rib wire as above. **See Figure 4.**

NOTE: Be sure to fully close both ends of S-hook. A third jack chain with S-hooks may be necessary to fully stabilize fan.



CAUTION
 A safety support cable is recommended when installing a fan in an overhead location to prevent fan from falling if accidentally struck or if mounting fails.

ELECTRICAL WIRING

⚠ WARNING



High Voltage,
disconnect power
before installation.

All wiring should be installed in accordance with National, State, and Local electrical codes. Fans used to ventilate buildings where continuous air movement is essential should be connected to individual electrical circuits, with a minimum of two circuits per room. For electrical connection requirements and motor specifications, refer to diagram on motor nameplate.

OPERATION and MAINTENANCE

⚠ WARNING



Moving parts,
disconnect power
before servicing.

OPERATING THE 18" FAN

- 1) Plug power cord into 115V, 60 Hz, 1 phase power source.

OPERATING THE 24" FAN WITH PULL CHAIN

- 2) Plug power cord into 115V, 60Hz, 1 phase power source. Pull chain controls motor. In installation where the motor is mounted upside down (ceiling model), pull cord should be draped over the motor and down the opposite side.

The motor bearings are permanently lubricated at the factory and do not require any additional lubrication. The whole unit may be cleaned with normal cleaner or a detergent.