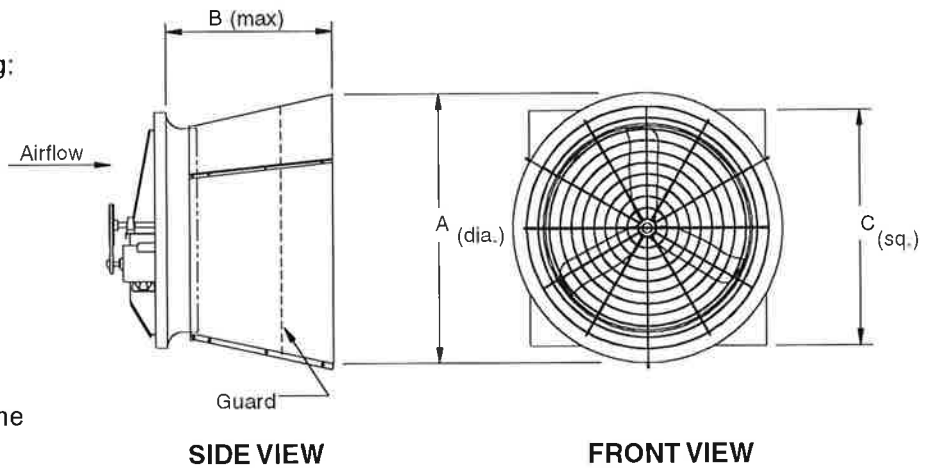


**Each Cone includes:**

- 3 - Cone Sections (all the same)
- 1 or 2 - Guard Section(s)
- 1 - Hardware Package (HP1004) including:
  - 12 - ¼" - 20 x 1¼" Hex Head Bolts, ZP
  - 12 - ¼" - 20 Hex Nuts, ZP
  - 24 - ¼" Flat Washers, ZP
  - 5 - Wire Ties, black
  - 2 - #10 x ½" TEK Screws, ZP

**NOTE:** This Discharge Cone is designed to mount on the fan outlet for increased airflow and to support an exhaust guard. A shutter or guard **must** be mounted on the fan inlet.



CAT. NO.	FAN DIA.	A	B	C
365GC	36"	48"	28¾"	42¼"
427GC	42"	54"	28¾"	48¼"
481GC	48"	60"	29¾"	54¼"

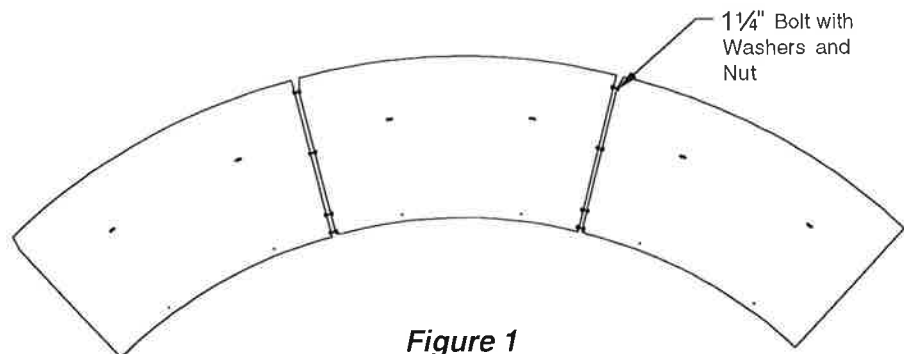
### UNPACKING THE EQUIPMENT

Before beginning installation, check the overall condition of the equipment. Remove packing materials, and examine all components for signs of shipping damage. Any shipping damage is the customer's responsibility and should be reported immediately to the freight carrier.

### INSTALLATION INSTRUCTIONS



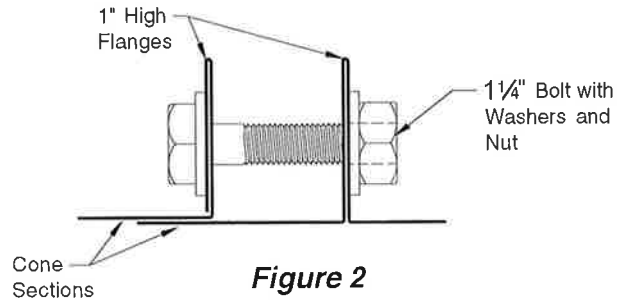
- 1) Remove cone sections and guard pieces from shipping carton.
- 2) Place (3) cone sections on a flat surface. **See Figure 1.** The 1" high flanges at the ends of each section should be upward.



**Figure 1**

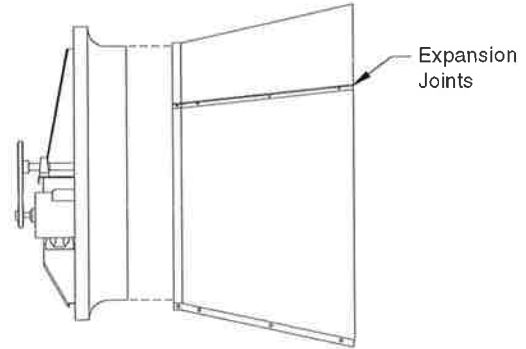
3) Join cone sections using (8) 1 1/4" bolts with washers and nuts. **See Figure 2. DO NOT** tighten. Nuts should be started only one turn onto bolts at this time.

4) Stand cone sections on edge and curl ends around until they meet, forming a round cone. The 1" high flanges should be on outside of cone. Join ends using remaining (4) 1 1/4" bolts with washers and nuts. **DO NOT** tighten.

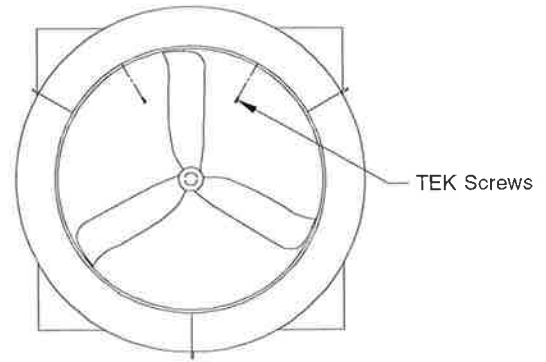


5) Expand joints between sections as far as possible and install cone on fan. Two people are usually required to do this. Cone should slide over fan outlet approximately 1 1/2". **See Figure 3.**

6) Tighten bolts evenly at each joint to secure cone to fan, beginning with those bolts closest to fan and working outward. It is normal for the gap between flanges to be wider near the fan.



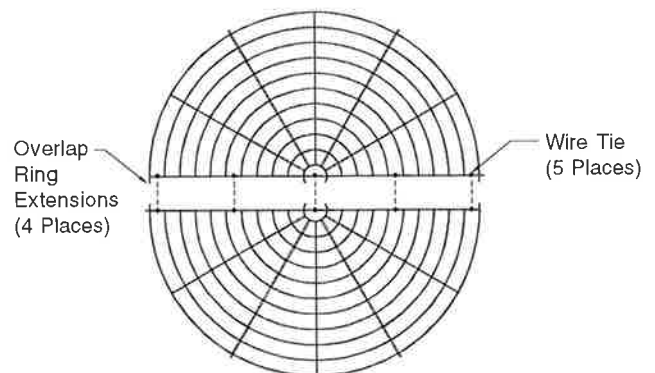
7) Install (2) TEK screws from inside fan outlet out into mounting flanges of cone, near the top. Locate screws around the 1 and 11 o'clock positions and about 3/8" from edge of fan outlet. **NOTE:** rotate propeller by hand to make sure each blade tip clears screw heads. **See Figure 4.**



8) If installing the one-piece guard proceed to Step 9. If installing the two-piece guard, place the guard sections on a flat surface with the large, extended cross wire on each section opposite the other. Overlap the small ring wire extensions and secure guard sections together with (5) wire ties. **See Figure 5.**

9) Install guard in holes around cone.

10) If cone outlet is not perfectly round, it can be reshaped by gently pushing the sections in or out, as needed. Assembly is now complete.



**⚠ WARNING**



**ROTATING FAN BLADES.**  
Operation of fan without wire screens or guards may result in direct contact with blades and cause severe personal injury or death.

**Figure 5**

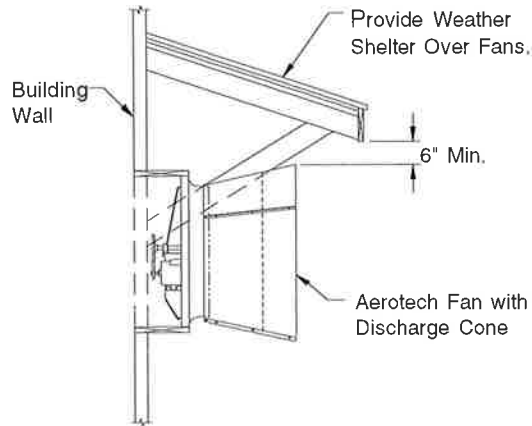
**WARRANTY:** See Aerotech, Inc. Limited Warranty Statement

**AEROTECH, INC.**  
4215 Legion Dr. Mason, MI 48854-1036 USA  
(517) 676-7070 Fax (517) 676-7078

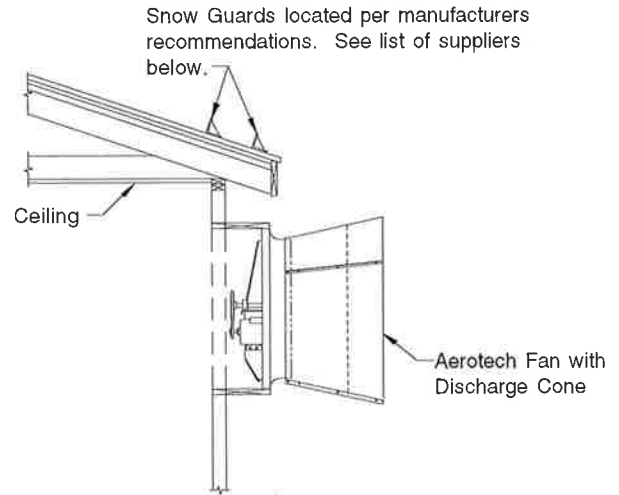
**FORM: QM1014**  
Rev. 6, September 1998  
Page 2 of 3

## WINTER WEATHER PROTECTION

To prevent cone or fan damage from snow or ice sliding off building roof, weather protection must be provided. A weather shelter may be constructed to cover the entire fan, **See Figure 6**, or snow guards may be placed on the roof, **See Figure 7**.



**Figure 6**



**Figure 7**

### **Snow Guard Suppliers**

<u>Company Name</u>	<u>Phone No.</u>	<u>Fax No.</u>
Snojax, Inc. _____	(717) 697-1900	(717) 697-2452
Polar Blox _____	(814) 629-7397	(814) 629-9090
LM Curbs _____	(800) 284-1412	(903) 759-0879
Real-Tool, Inc. _____	(703) 338-4544	(703) 338-4654
Vermont Slate & Copper Services, Inc. _____	(802) 888-8573	(802) 888-8574

**Note:** Snow guards are designed to prevent sudden, dangerous snow and ice slides when attached to the building roof according to manufacturers recommendations. The supplier listing above is given as a reference only. Aerotech does not endorse any specific snow guard product and no performance warranty is implied.

### **IMPORTANT**

**Aerotech, Inc. product and system warranties do not cover cone or fan damage from external sources.**