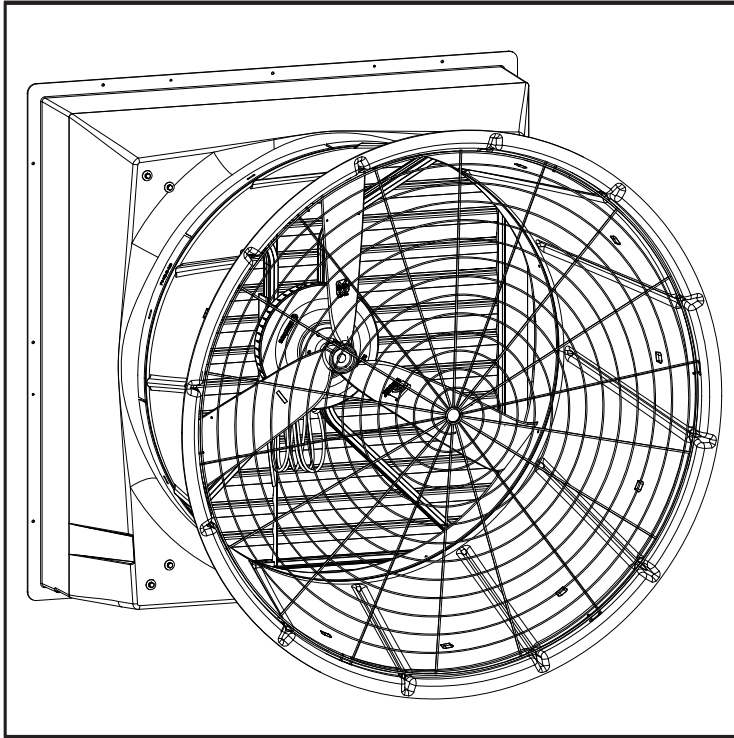


**Aerotech
VX36 & VX48
with RC cone and
Munters Drive***

* Patents Pending

Instruction Manual



VX36 and VX48 with Munters Drive

36" and 48" Exhaust Fan

Models: VX36DFxxCP-Hx • VX48DFxxCP-Hx



VX36 and VX48 Fans

with RC Cone and Munters Drive

Instructions for Use and Maintenance

Thank You:

Thank you for purchasing an Aerotech VX36 and VX48 with Munters Drive fan. Munters equipment is designed to be the highest performing, highest quality equipment you can buy. With the proper installation and maintenance it will provide many years of service.

Please Note:

To achieve maximum performance and insure long life from your Munters product it is essential that it be installed and maintained properly. Please read all instructions carefully before beginning installation.

Warranty:

For Warranty claims information see the "Warranty Claims and Return Policy" form QM1021 available from the [Munters Corporation office at 1-800-227-2376 or by e-mail at aghort.info@munters.com](mailto:aghort.info@munters.com).

Conditions and Limitations:

- Products and Systems involved in a warranty claim under the "Warranty Claims and Return Policy" shall have been properly installed, maintained and operated under competent supervision, according to the instructions provided by Munters Corporation.
- Malfunction or failure resulting from misuse, abuse, negligence, alteration, accident or lack of proper installation or maintenance shall not be considered a defect under the Warranty.

Index

Chapters	Page
1. Unpacking the Equipment	4
1.1 Parts List	4
1.2 Fan Specifications	4
2. Installation Instructions	5
2.1 Fan Installation	5
2.2 PT Style Shutter	10
2.3 PZ Style Shutter	11
3. Electrical Wiring	11
3.1 Recommended Wire Routing	12
3.2 Electrical Wiring	13
3.3 Recommended Wiring	14
4. Operation and Maintenance	20
4.1 Operation	20
4.2 Maintenance	20
5. Troubleshooting	21
6. Winterizing	22
6.1 Winterizing	22
6.2 Winter Weather Protection	22
7. Exploded View and Parts List	23-24

Unpacking the Equipment

1.

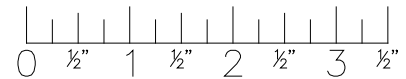
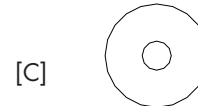
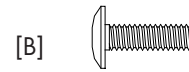
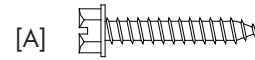
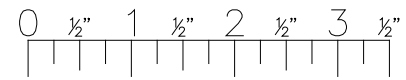
1.1 Parts List

Each Fan includes:

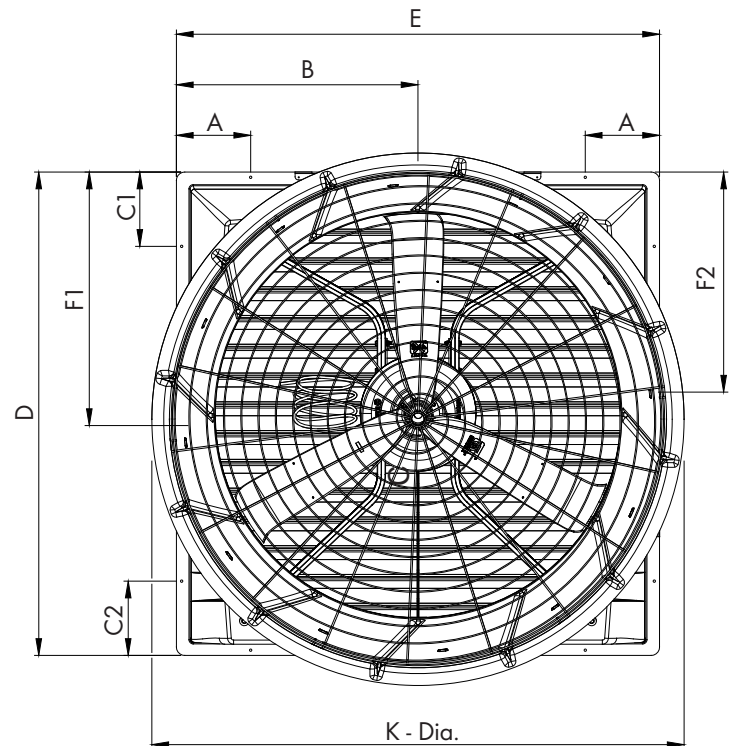
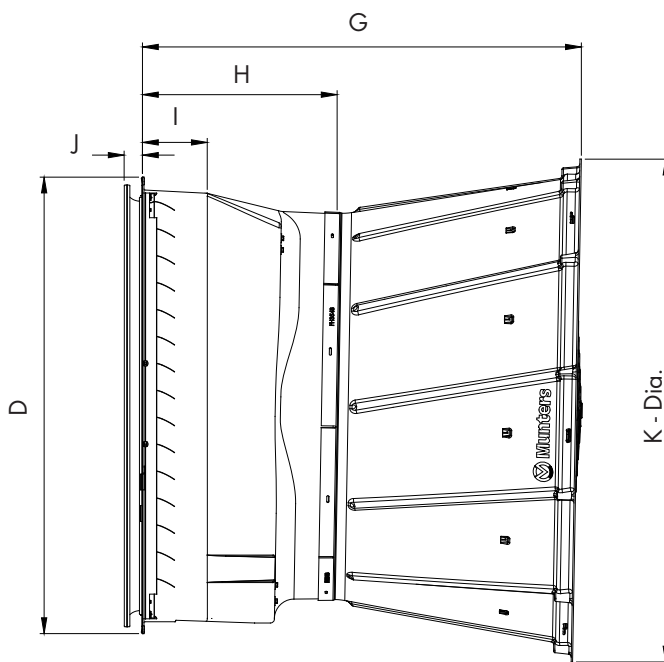
- 1 - Munters Drive Fan
- 1 - Cone
- 1 - Guard
- 1 - Shutter
- 1 - Hardware Package (HP1167)

HP1167 - 36"/48" Fan, One Piece Cone

ID	Qty.	Cat. No.	Description
[A]	12	KS2105	#14 x 1.5" Lag Screw, SS
[B]	8	KS0650	1/4"-20 x 7/8" Truss Head Bolt, SS
[C]	8	KW3012	1/4" x 1" O.D. Flat Washer, SS
[D]	8	KN1717	1/4"-20 Hex Flange, Nylock Nut, SS



1.2 Fan Dimensions:



Fan Specifications: 60Hz shown (50Hz available)

Power: 230 VAC or 230/460 VAC

Phase: 1 or 3

FAN DIA.	A	B	C1*	C2*	D	E	F1*	F2*	G	H	I	J	K-Dia.	WALL OPENING (I.D., framed)
36"	6 7/8"	22 7/8"	6 7/8"	6 7/8"	45 3/4"	45 3/4"	22 7/8"	22 7/8"	50 5/8"	24 1/16"	8"	-	50 3/8"	43" W 43" H
48"	8 7/8"	28 7/8"	8 7/8"	8 7/8"	57 3/4"	57 3/4"	28 7/8"	28 7/8"	55 3/8"	24 7/16"	8"	2 5/16"	63 3/8"	55" W 55" H

*Dimensions plus/minus 1/4", field verify.

Installation Instructions

2.

2.1 Fan Installation

Step 1

Construct the framed opening to correct size according to the Chart A. See Figure 1A and 1B.

Chart A

FAN DIA.	CONE	WALL OPENING (W. X H.)	MINIMUM SPACING 'Z'	CENTER TO CENTER DIMENSION
36"	36RC	43" W. x 43" H.	12" recommended; 8" minimum	51" Minimum
48"	48RC	55" W. x 55" H.	12" recommended; 9" minimum	64" Minimum

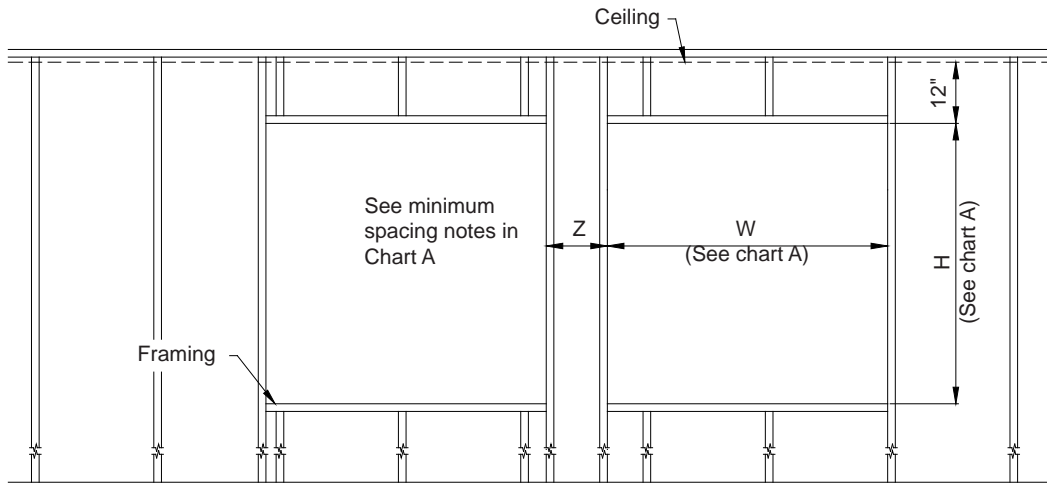


Figure 1A Frame Construction

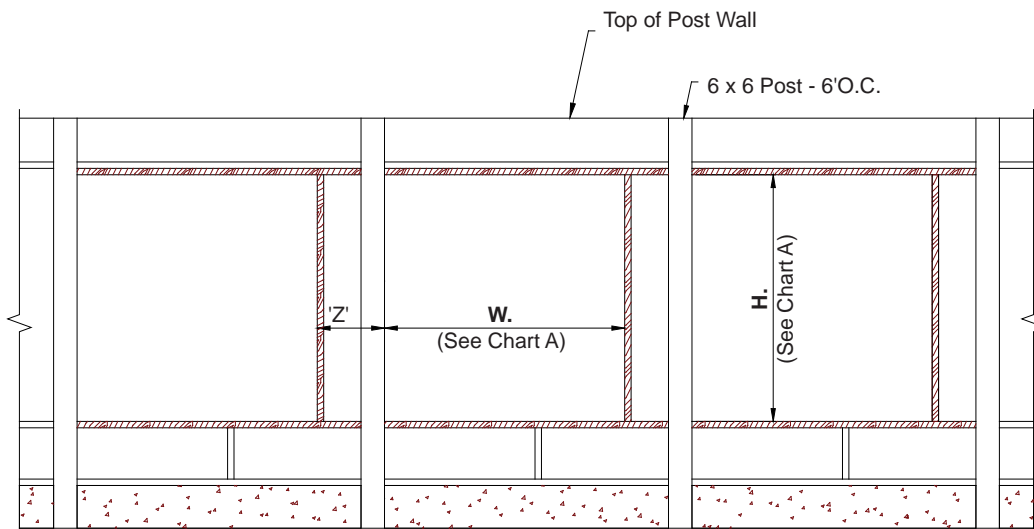


Figure 1B Post Construction

Step 2A

Insert fan into the framed opening from the inside. While lifting fan up tight to framing, fasten top of fan with (3) Lag Screw [A]. See Figure 2A and 2B. Next, fasten bottom of fan, then both sides with remaining (9) Lag Screw [A]. Install flashing around opening tight to fan and caulk around fan to seal.

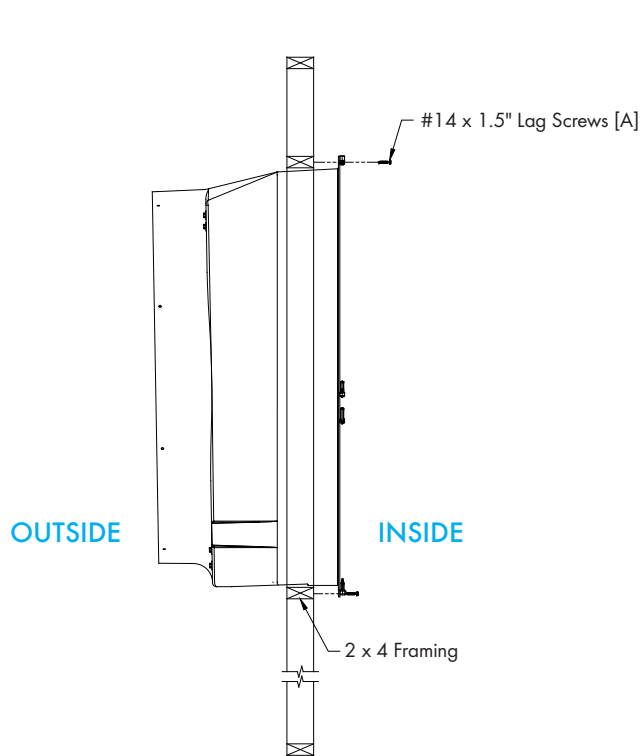


Figure 2A - Frame Construction

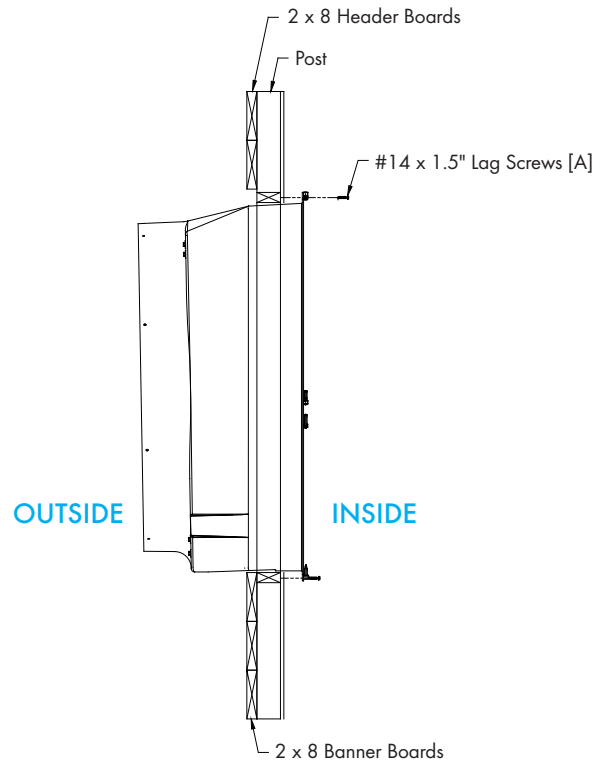


Figure 2B - Frame Construction

Step 2B

If fan needs to be mounted, so that shutter does not stick into building then frame fan as shown in Figure 3. Top and sides require 4" minimum and bottom requires 2" minimum.

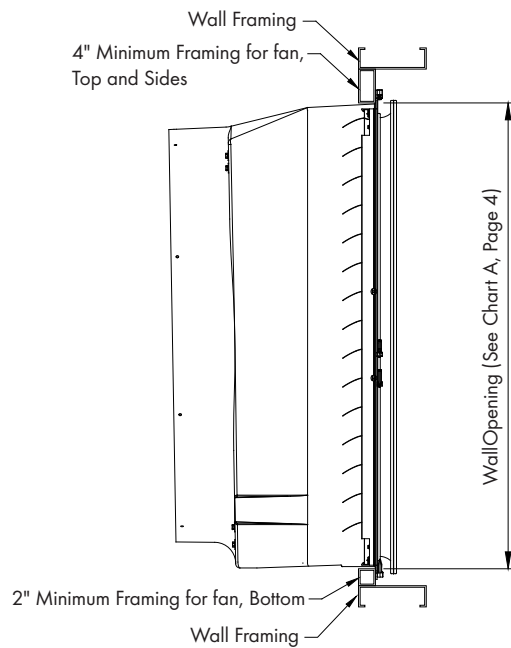


Figure 3

Step 3

Installing the one piece cone may require 2 people. If temperature is above 50°F then proceed to [Step 5](#). If temperature is below 50°F then proceed to [Step 4](#).

Step 4

Using Locking Sheet Metal Pliers bend the cone tabs outward to allow the cone to slide onto the fan easier. See [Figure 4](#).

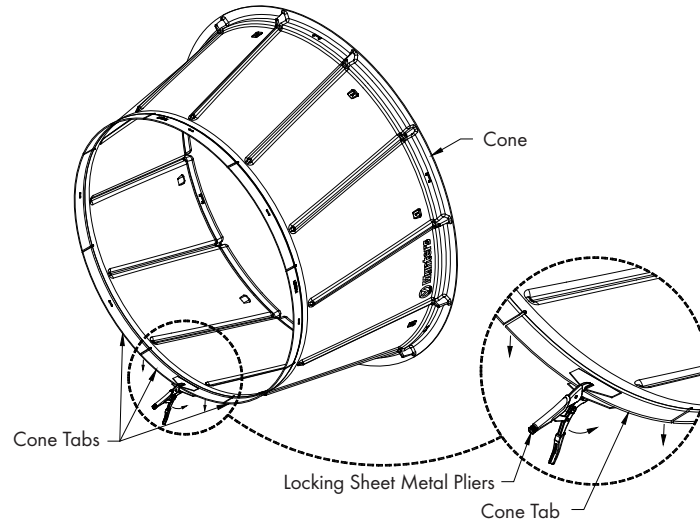


Figure 4

Step 5

Look for the "TOP" label on the Polycone and set the top of the Polycone on top of the fan orifice and install (2) Truss Head Bolts [B] through holes in fan outlet through the slots in the cone at about the 10 and 2 o'clock positions and fasten with Washers [C] and Flange Nuts [D]. Truss head of each bolt must be on the inside of the fan outlet; washers and flange nuts must be on outside of cone.

See [Figure 5A and 5B](#). Finger tighten nuts only at this time.

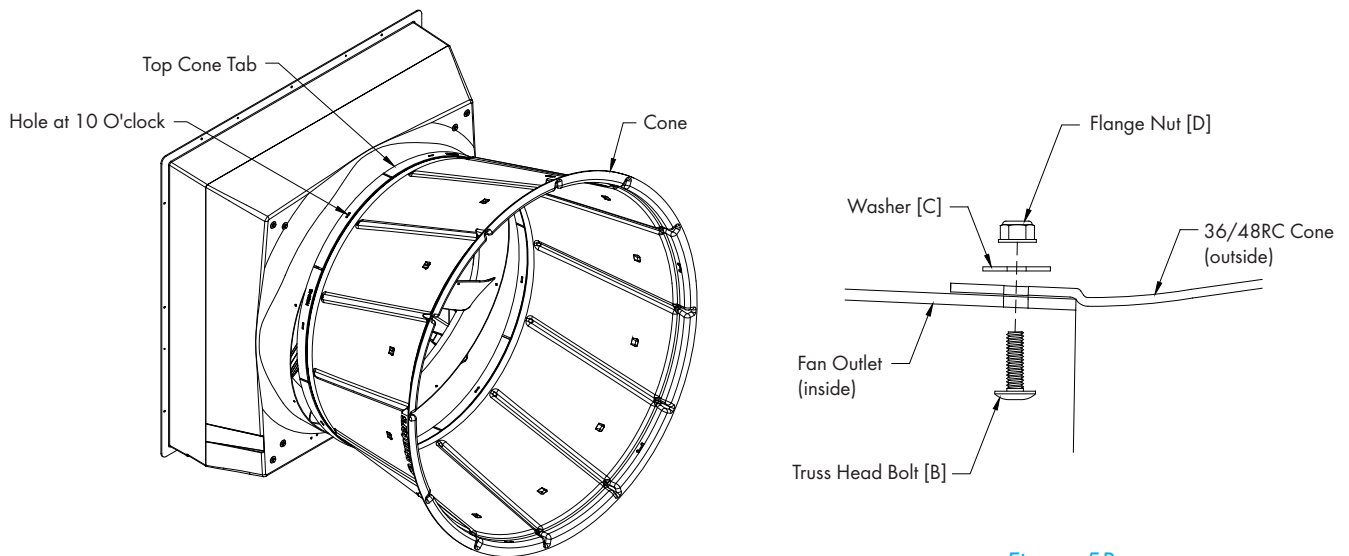


Figure 5B

Figure 5A

Step 6

Work down the sides of the cone, sliding the cone tabs onto the fan until the bottom tab is in place. Keep pressure on the cone to make sure tabs stay on the fan. Install (6) Truss Head Bolts [B], Washers [C] and Flange Nuts [D] in the remaining holes in the fan outlet and slots in the cone to finish securing cone to fan. See Figure 5B and Figure 6. Tighten all nuts at this time, making sure not to over tighten.

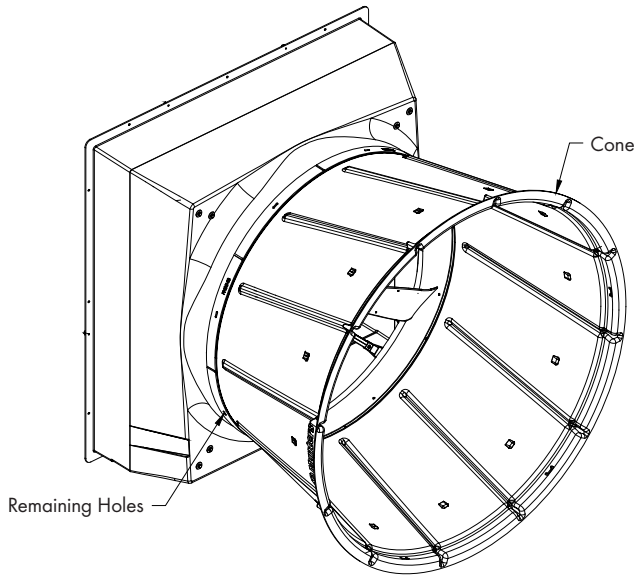


Figure 6

Note:

If installing your existing guard in the new Polycone, then proceed to Step 9. If installing the new snap-in guard then proceed to Step 7.

Step 7

The snap-in guard has a slight conical shape to it so, when installed the center of the guard should protrude out slightly. See Figure 7.

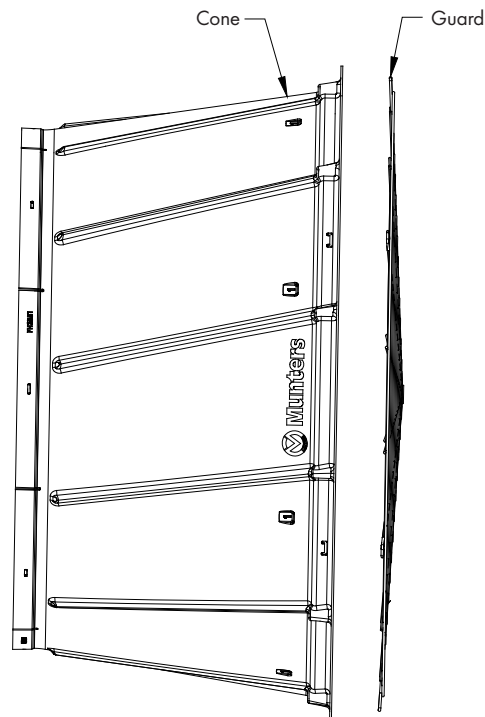


Figure 7

Step 8

Starting at the bottom of the cone, locate one of the guard tabs and put the guard tab through the guard slot in the cone. See Figure 7B. Then work up around the guard and install each of the other guard tabs in each of the corresponding guard slots. Some force may be required to snap the last tab into the last slot, pull out on the center of the cone while pushing in on the guard tab until it snaps into place.

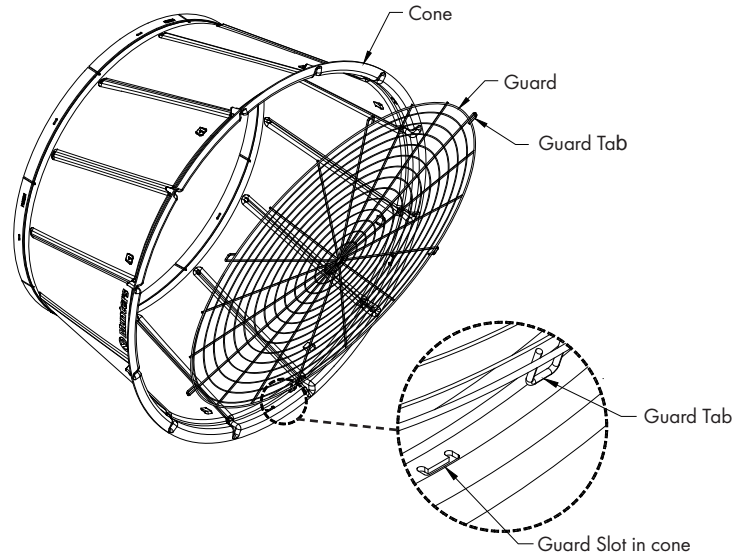


Figure 7B

Step 9

If installing your existing guard into the new cone, locate the flat guard mounting pads on the cone and drill a $\frac{1}{32}$ " dia. hole in the center of each pad. Then insert existing guard into cone with the guard eyelets facing away from you. Line up each eyelet with a hole in the guard pads. Secure guard to cone using (8) existing Bolts and Nuts. See Figure 8A and 8B. Tighten all nuts at this time.

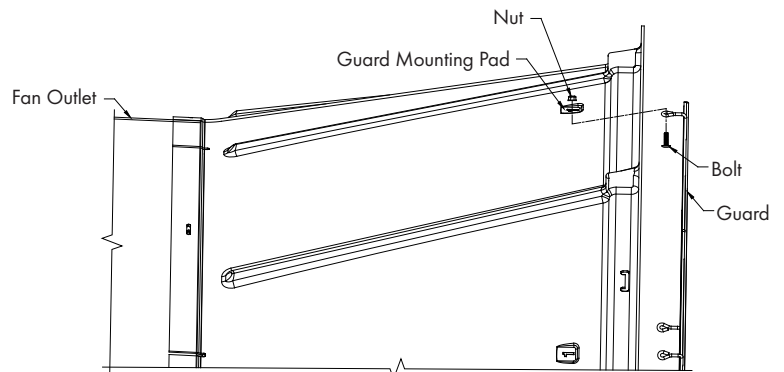


Figure 8A

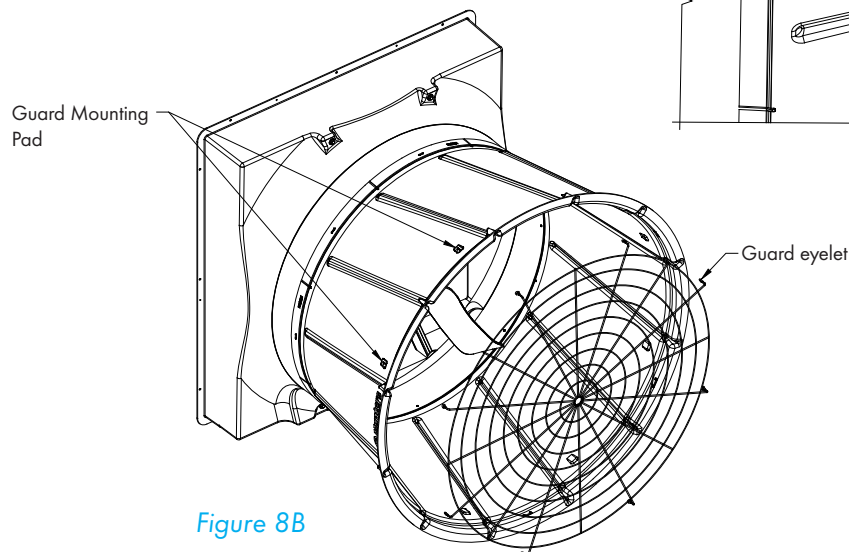


Figure 8B

2.2 PT Style Shutter

Step 10

Insert PT Shutter into fan by sliding the bottom flange of shutter into bottom shutter clips and pressing shutter inward. *See Figure 9.*

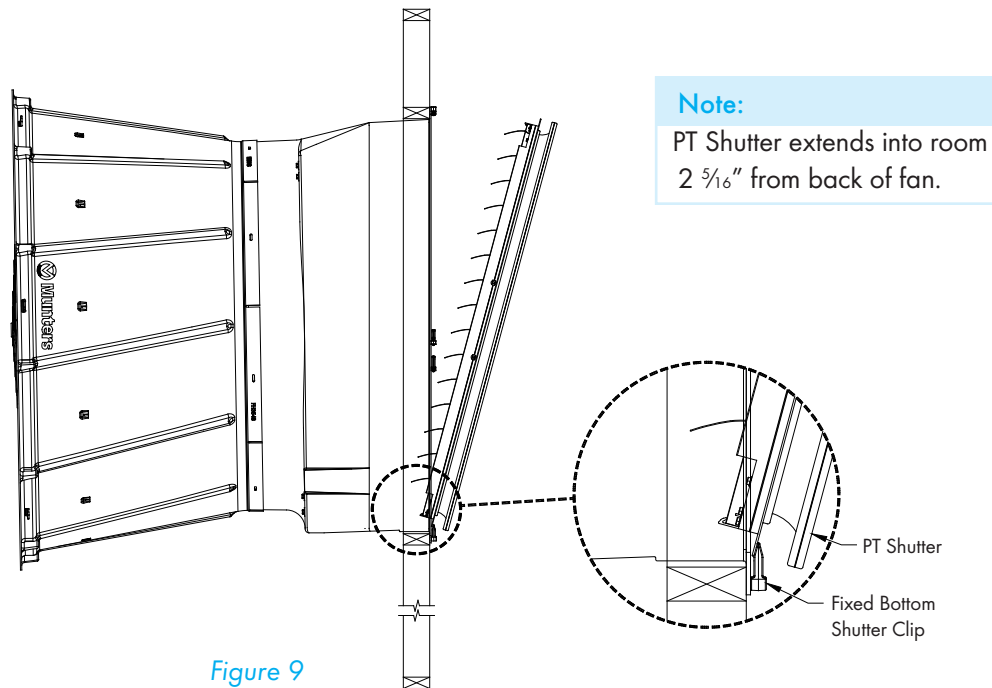


Figure 9

Step 11

Fasten shutter in place by rotating the side and top shutter clips over the shutter flanges. *See Figure 10.*

Installation is now complete, proceed to Electrical Wiring Section.

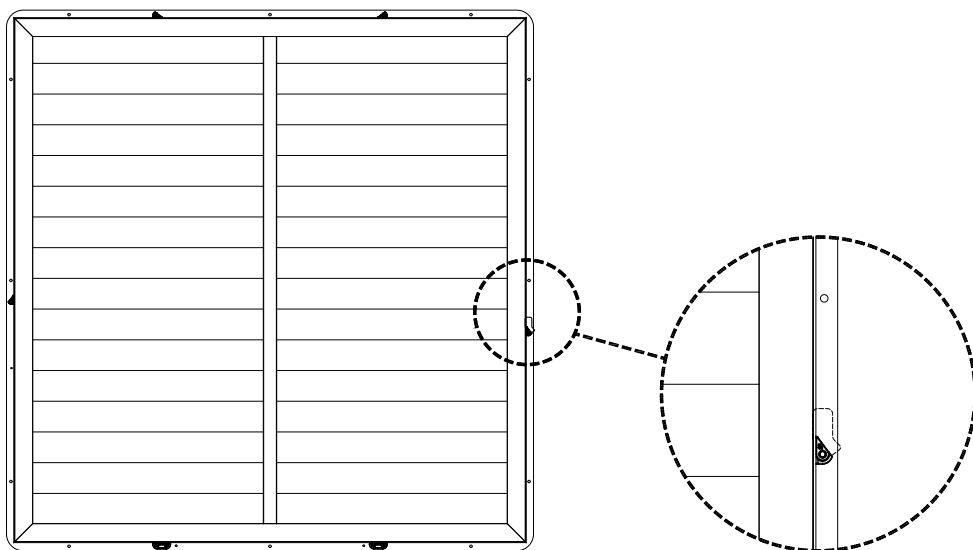


Figure 10

2.3 PZ Style Shutter

Step 12

Insert PZ shutter into fan by sliding the bottom flange of shutter into bottom shutter clips and pressing shutter inward, *See Figure 11A*. Fasten shutter in place by rotating the side and top shutter clips over the shutter flanges, *See Figure 11B*.

Installation is now complete, proceed to electrical wiring section.

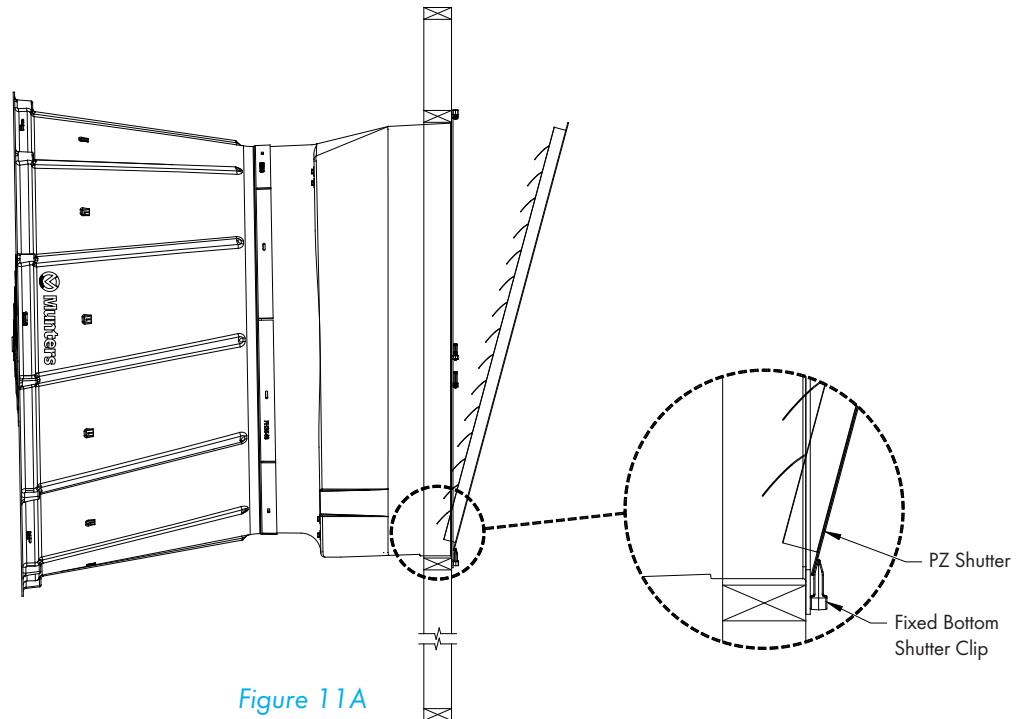


Figure 11A

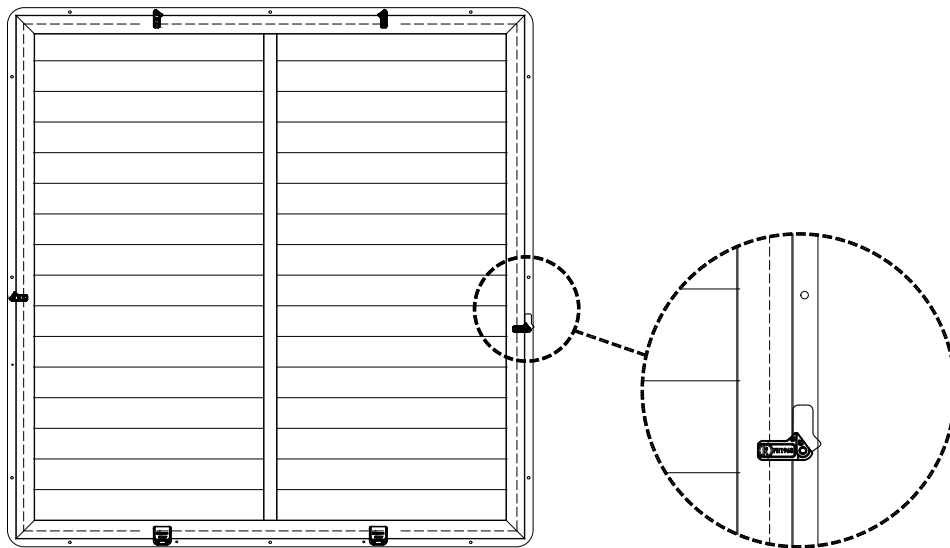


Figure 11B

3.1 Recommended Wire Routing

The Munters Drive Fan comes with a coil of electrical cable that is pre-wired to motor. Find the end of the cable and route it outside the fan and connect it to the incoming power supply and/or the safety cut-off switch. (Safety cut-off switch by others). See [Figure 12A](#).

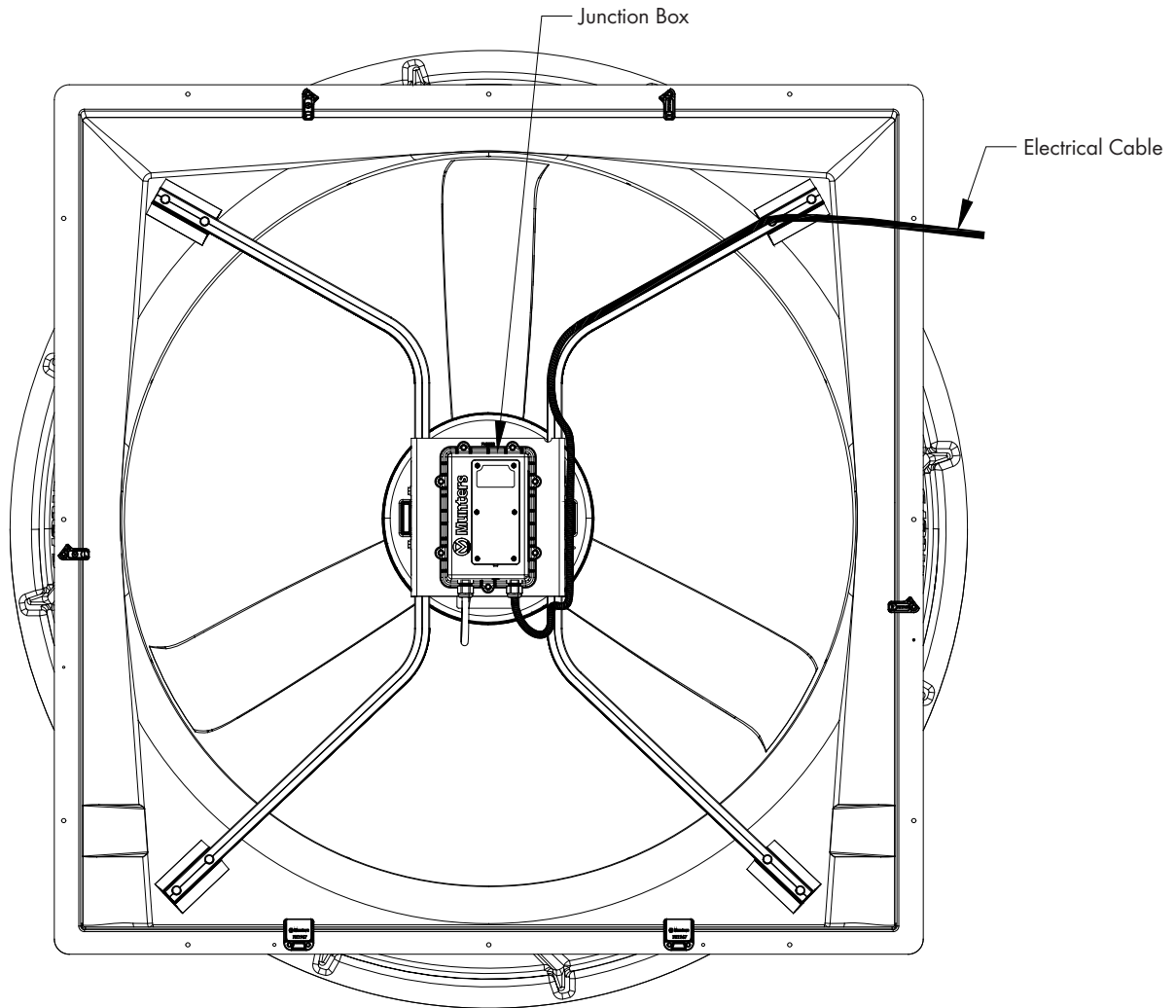


Figure 12A

WARNING: Fan is designed to be operated with shutter in place. Do not apply power to fan without shutter being installed.

3.2 Electrical Wiring



All wiring should be installed in accordance with National, State, and Local electrical codes. Fans used to ventilate livestock buildings or other rooms where continuous air movement is essential should be connected to individual electrical circuits, with a minimum of two circuits per room. For electrical connection requirements, refer to diagram on motor nameplate and to information enclosed with the environmental control to be used.

Single Phase and Three Phase Munters Drives: Power supply for fans to have Circuit Breaker or Fuse Protection. The installer must refer to NEC and local codes to ensure safety and compliance. See Figure 12B & 12C.

If recommended lightning protection was purchased, wire it to the fan power supply as shown and secure the lightning protection unit near the disconnect or the bus panel. See Figure 12B & 12C.

NOTE: A safety cut-off switch should be located adjacent to each fan.

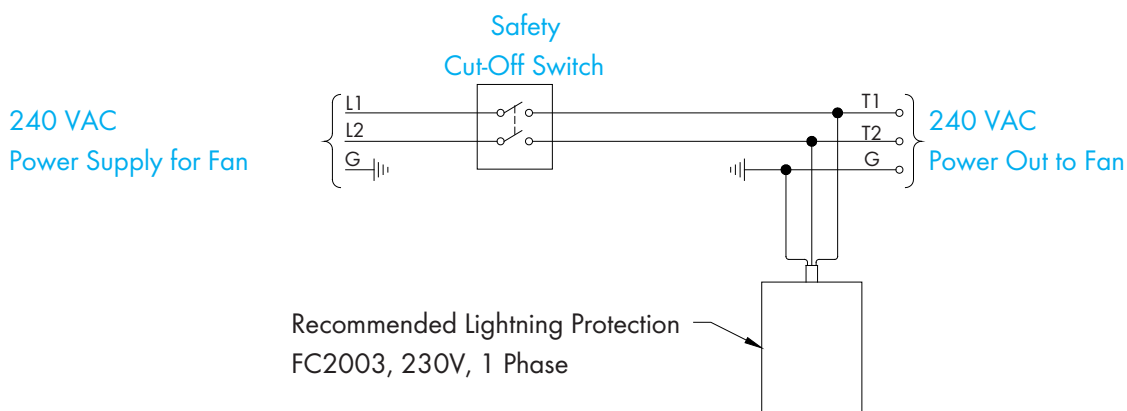


Figure 12B
Single Phase

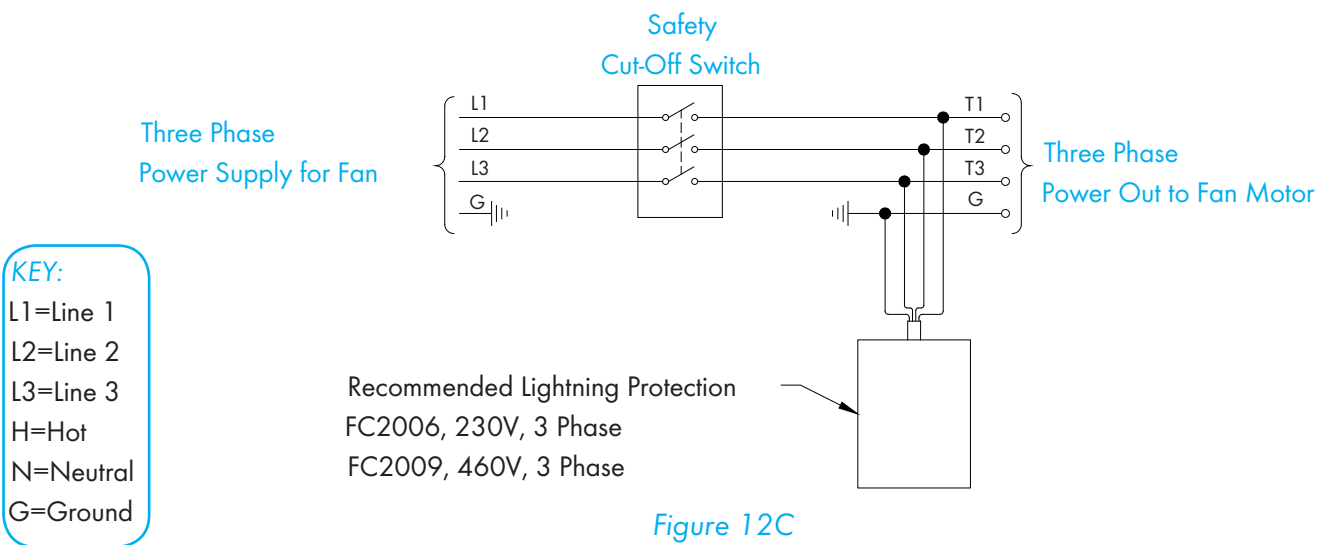


Figure 12C
Three Phase

KEY:
 L1=Line 1
 L2=Line 2
 L3=Line 3
 H=Hot
 N=Neutral
 G=Ground

3.3 Recommended Wiring

The Munters Drive fan ships configured for simple ON/OFF operation. When electrical power is applied to the main cable and the 'RUN' Switch is in the 'ON' Position, the fan will start and run at full speed.

See Figure 13A.

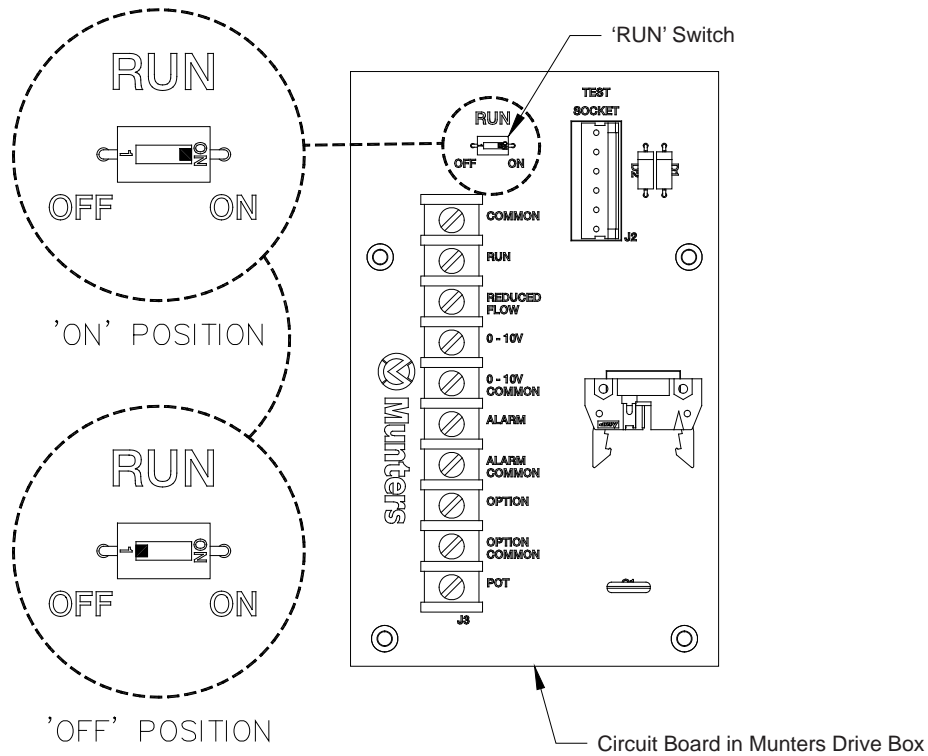


Figure 13A
Default Operation Full Speed

*****WARNING*****

The Blue Box electrical enclosure must not be removed from mounting bracket. Removing Blue Box from the mounting bracket will void the warranty. Any water or other damage to the controller will not be covered if the Blue Box is removed.

*****NOTE*****

All Low Voltage wire must be shielded cable. i.e. Belden 8770 or equivalent.

WARNING: Fan is designed to be operated with shutter in place. Do not apply power to fan without shutter being installed.

When making connections to Munters Drive Box, be sure to use the supplied watertight fittings with only 1 cable per fitting. If watertight fittings are not used or if 2 cables or more are in 1 watertight fitting, equipment failure from water damage will not be covered under warranty. If 2 or more cables are used in 1 watertight fitting, they must be sealed on both sides of Munters Drive Box wall to prevent water infiltration.

If you are going to run the Munters Drive with a signal from a control, carefully remove 6 screws and the cover and save to reinstall later. Carefully punch the knock-out from the bottom of the Munters Drive Box and install the Watertight connector as shown. See Figure 13B and 13C.

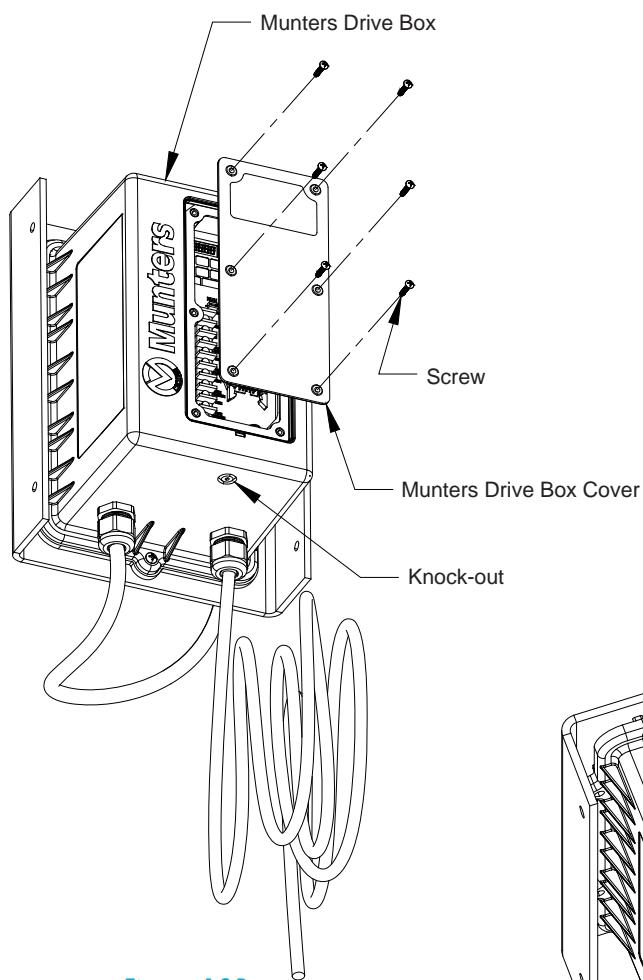


Figure 13B

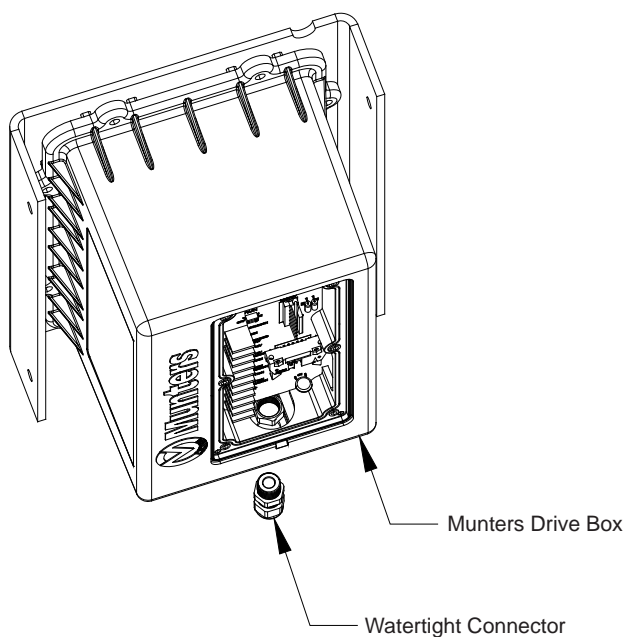


Figure 13C

To operate the Munters Drive On/Off with a control, Slide the 'RUN' switch, located on the circuit board in the Munters Drive Box, to the 'OFF' position. Now wire an 'ON' command from the 'COMMON' terminal to the input relay in the control and from the output of the control relay to the 'RUN' terminal in the Munters Drive Box. See Figure 13A & 13D.

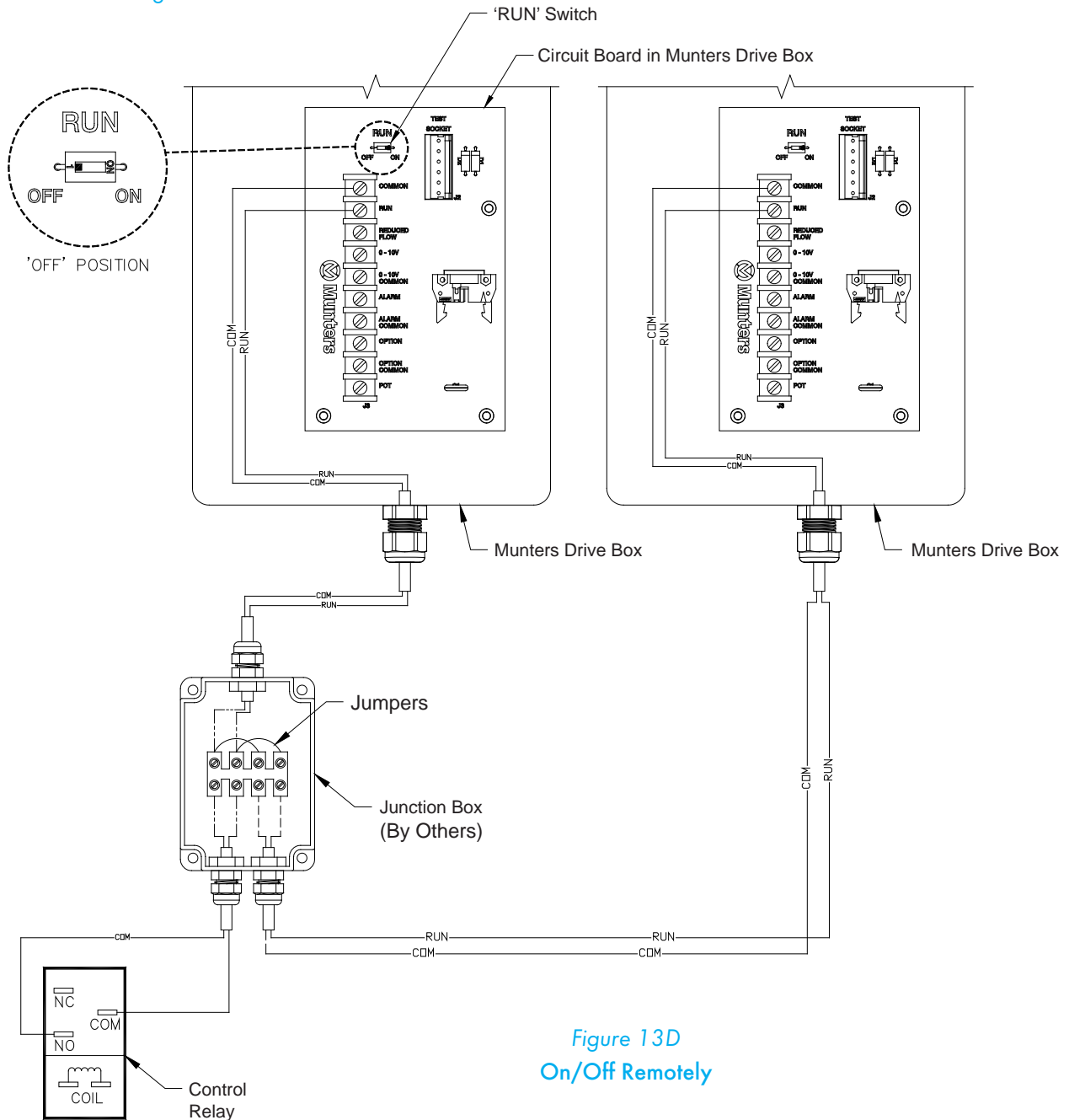


Figure 13D
On/Off Remotely

*****WARNING*****

The Blue Box electrical enclosure must not be removed from mounting bracket. Removing Blue Box from the mounting bracket will void the warranty. Any water or other damage to the controller will not be covered if the Blue Box is removed.

*****NOTE*****

All Low Voltage wire must be shielded cable. i.e. Belden 8770 or equivalent.

WARNING: Fan is designed to be operated with shutter in place. Do not apply power to fan without shutter being installed.

To operate the Munters Drive Off/Low/High with a control, slide the 'RUN' switch, located on the circuit board in the Munters Drive Box, to the 'OFF' position. Now wire an 'ON' command from the 'COMMON' terminal to the input relay in the control and from the output of the relay to the 'RUN' terminal in the Munters Drive Box. Then connect the output of the control relay for 'LOW' to the 'REDUCED FLOW' terminal in the Munters Drive Box. See Figure 13E.

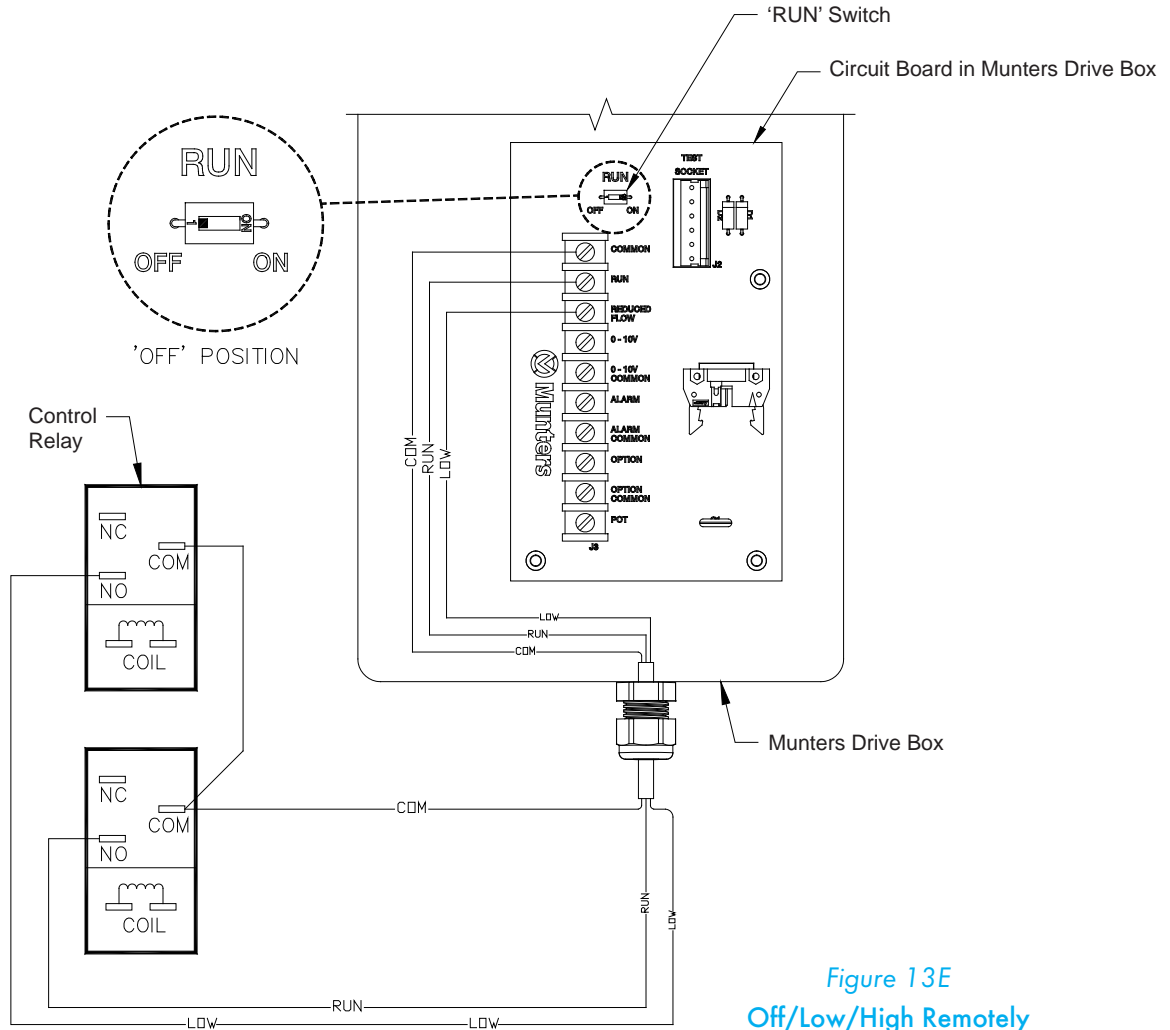


Figure 13E
Off/Low/High Remotely

*****WARNING*****

The Blue Box electrical enclosure must not be removed from mounting bracket. Removing Blue Box from the mounting bracket will void the warranty. Any water or other damage to the controller will not be covered if the Blue Box is removed.

*****NOTE*****

All Low Voltage wire must be shielded cable. i.e. Belden 8770 or equivalent.

WARNING: Fan is designed to be operated with shutter in place. Do not apply power to fan without shutter being installed.

To Operate the Munters Drive variable with a 10-0V Signal, slide the 'RUN' switch, located on the circuit board in the Munters Drive Box, to the 'ON' position. Connect wires from the '0-10V IN' and '0-10V COMMON' terminals in the Munters Drive Box to the 10-0V output in the control. See Figure 13F.

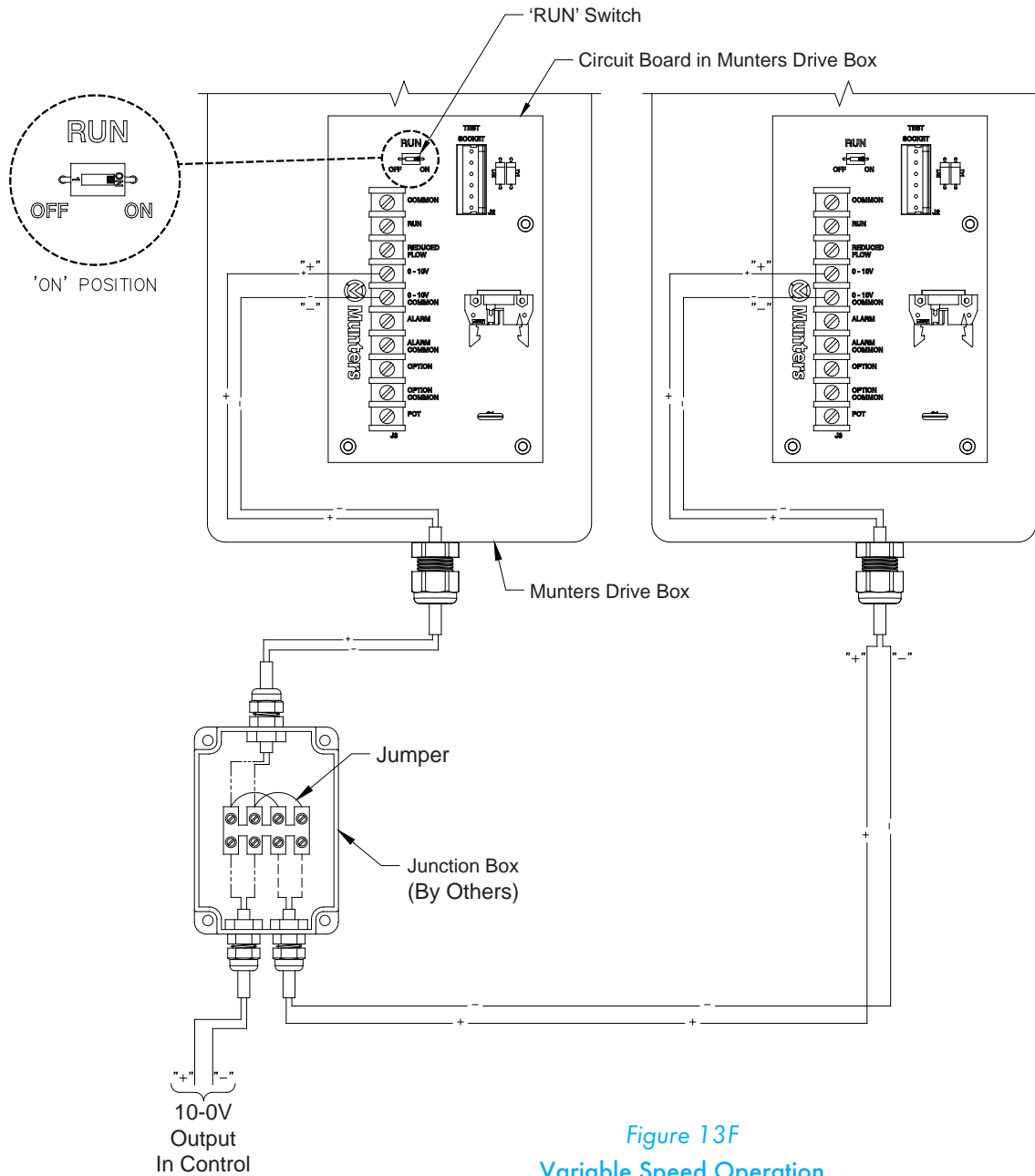


Figure 13F
Variable Speed Operation

*****WARNING*****

The Blue Box electrical enclosure must not be removed from mounting bracket. Removing Blue Box from the mounting bracket will void the warranty. Any water or other damage to the controller will not be covered if the Blue Box is removed.

*****NOTE*****

All Low Voltage wire must be shielded cable. i.e. Belden 8770 or equivalent.

WARNING: Fan is designed to be operated with shutter in place. Do not apply power to fan without shutter being installed.

To operate the Munters Drive Off/Variable with a 10-0V Signal, slide the 'RUN' switch, located on the circuit board in the Munters Drive Box, to the 'OFF' position. Now wire an 'ON' command from the 'COMMON' terminal to the input relay in the control and from the output of the control relay to the 'RUN' terminal in the Munters Drive Box. Also, connect wires from the '0-10V IN' and '0-10V COMMON' terminals in the Munters Drive Box to the 10-0V output in the control. See Figure 13G.

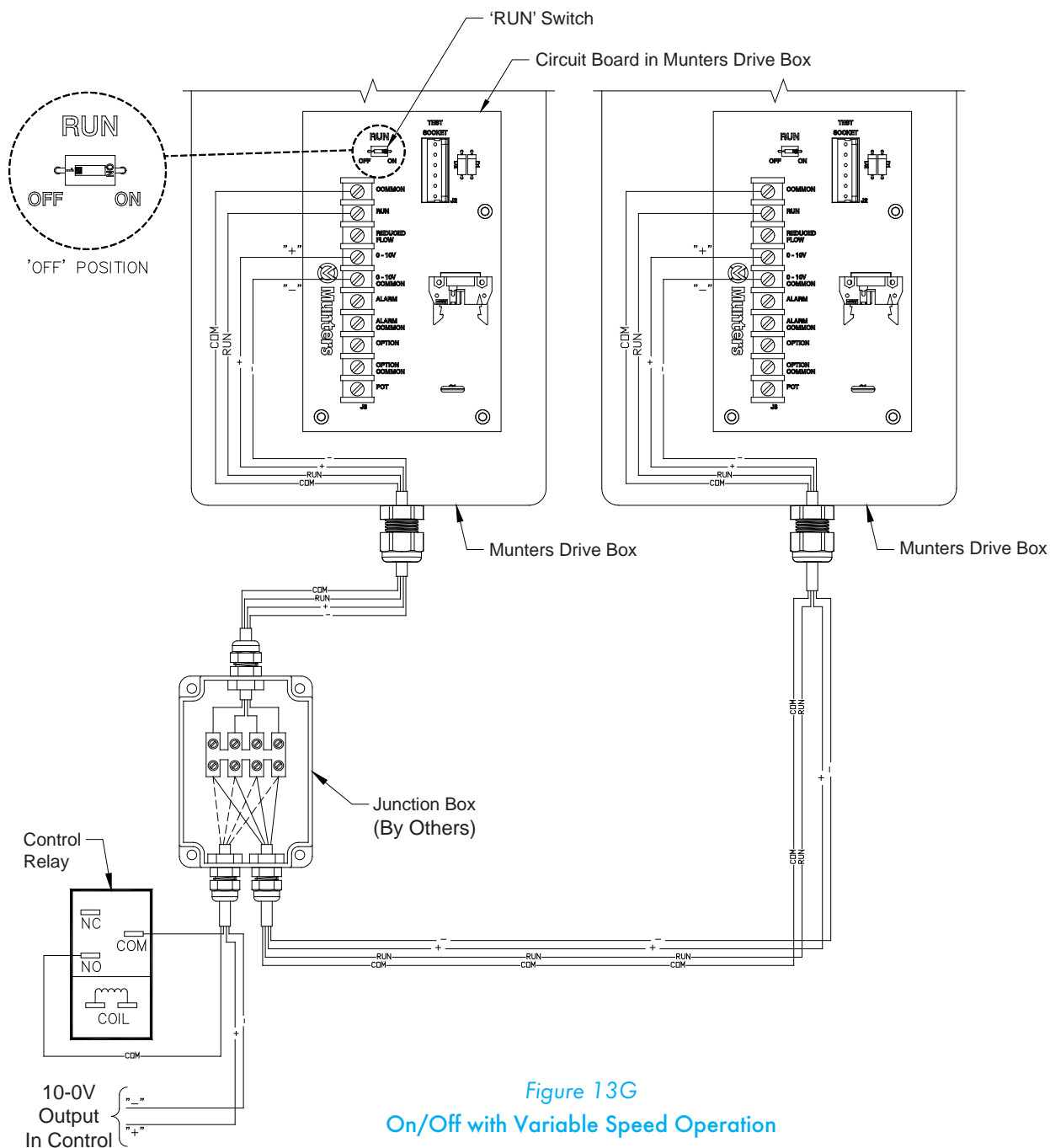


Figure 13G
On/Off with Variable Speed Operation

WARNING: Fan is designed to be operated with shutter in place. Do not apply power to fan without shutter being installed.

Operation and Maintenance

4.

4.1 Operation

- 1) **INITIAL START-UP:** With electrical power off, verify that the fan propeller turns freely and that all fasteners are secure. With shutter in place, turn on electrical power and confirm that the fan operates smoothly.
- 2) **TEMPERATURE ADJUSTMENTS:** Set the fan control to the temperature shown on your Munters ventilation system drawing, or to a value which will provide the desired environmental conditions.



4.2 Maintenance

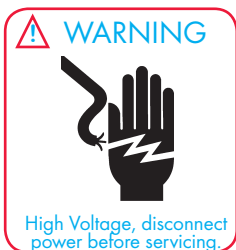
The following inspection and cleaning procedures should be performed monthly:

- 1) **INSPECT PROPELLER:** Check that propeller is secure on drive hub and that there are no signs of damage. The blades are of a self-cleaning design and should not require maintenance.
- 2) **CLEAN** regularly for best results:
 - **FAN MOTOR:** Remove any dust accumulation from motor using a brush or cloth. (DO NOT use a pressure washer). A clean motor will run cooler and last longer. At the same time, verify that the motor is secure in its mount.
 - **SHUTTER:** Carefully clean dust from shutter and frame so that shutter opens and closes freely. A brush or cloth should be used.
 - **GUARD:** Clean any dust or feathers from fan guards using a brush. Dirty guards can reduce airflow.
- 3) **CHECK FASTENERS:** For safety, all fasteners should be inspected. Tighten any loose connections.
- 4) **INSPECT FAN CONTROL:** With power disconnected, inspect all electrical connections. Wiring should be secure and in good condition. Remove any dust build-up from control case and sensor using a soft brush or cloth.



NEVER CLEAN ELECTRICAL EQUIPMENT WITH A PRESSURE WASHER!

5.1 Troubleshooting



SYMPTOM	POSSIBLE CAUSES	CORRECTIVE ACTION
<ul style="list-style-type: none"> Fan Not Operating 	<ul style="list-style-type: none"> Fan control set above room temperature Blown Fuse or open circuit breaker Propeller blade contacting fan housing Fan control defective (i.e. Farm Premium, etc.) 	<ul style="list-style-type: none"> Set to a lower temperature Replace fuse or reset breaker Realign motor in fan housing Repair or replace control
<ul style="list-style-type: none"> Fan Does Not Start Caution: There is a 10 second delay for the fan to start when an 'On' command is present. 	<ul style="list-style-type: none"> Munters Drive motor/controller issue 	<ol style="list-style-type: none"> Verify AC voltage is present at fan. Turn AC power off to fan for 1 minute Verify Prop turns freely <ol style="list-style-type: none"> If not contact Munters Product Support If it turns freely go to next step Turn AC power back on to fan <ol style="list-style-type: none"> If starts up and runs, fan OK <ul style="list-style-type: none"> Periodically observe fan to verify it is still running If it continues to run, fan is OK If fan stops, look through clear window in drive cover to check what drive display reads. Contact Munters Product Support If fan tries to start but stops, look through clear window in drive cover to check what drive display reads. Contact Munters Product Support If fan doesn't try to start, verify 'On' command signal is present at circuit board. Also, slide the switch on the circuit board to the 'On' position.
<ul style="list-style-type: none"> Fan Operating - Insufficient Airflow 	<ul style="list-style-type: none"> Shutter or Damper door jammed Guard dirty/clogged 10-0V signal set incorrectly 	<ul style="list-style-type: none"> Clean shutter or damper door Clean guard Check and adjust 10-0V signal
<ul style="list-style-type: none"> Excessive Noise 	<ul style="list-style-type: none"> Propeller blade contacting fan housing 	<ul style="list-style-type: none"> Sand fan housing to remove high spot
<ul style="list-style-type: none"> Excessive Vibration 	<ul style="list-style-type: none"> Motor loose on mount Propeller damaged 	<ul style="list-style-type: none"> Tighten fasteners Replace propeller

Winterizing

6.

6.1 Winterizing

In most climates, it is probable that the ventilation system will never need to operate at a total capacity during the colder winter months. Consequently, it is advisable to “winterize” those fans which will not be used in cold weather to avoid unnecessary heat loss and condensation.

To winterize, turn fan control “off”. Install the insulated closure panel over the fan intake. If you don’t have an insulated closure panel, a piece of rigid insulation material can be used. Remember the insulation panel must be removed before warmer weather returns.

NOTE: At least one single speed fan should be left uncovered and with power available to provide air movement in the event of variable speed control difficulties.

6.2 Winter Weather Protection

To prevent cone or fan damage from snow or ice sliding off building roof, weather protection must be provided. A weather shelter may be constructed to cover the entire fan, *See Figure 14*, or snow guards may be placed on the roof, *See Figure 15*.

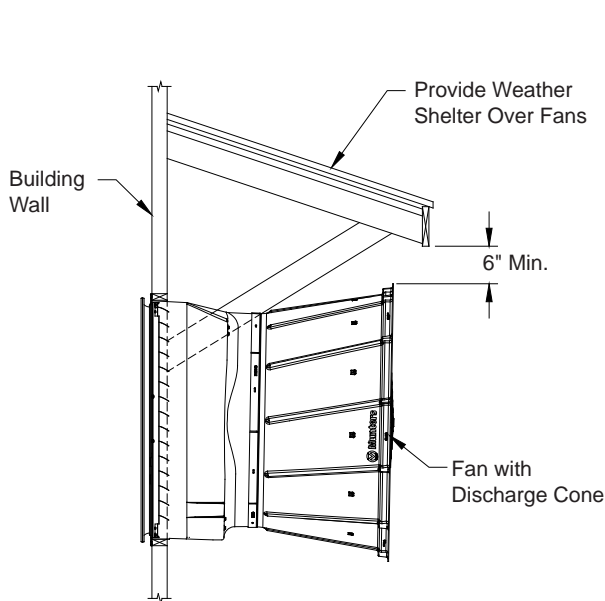


Figure 14

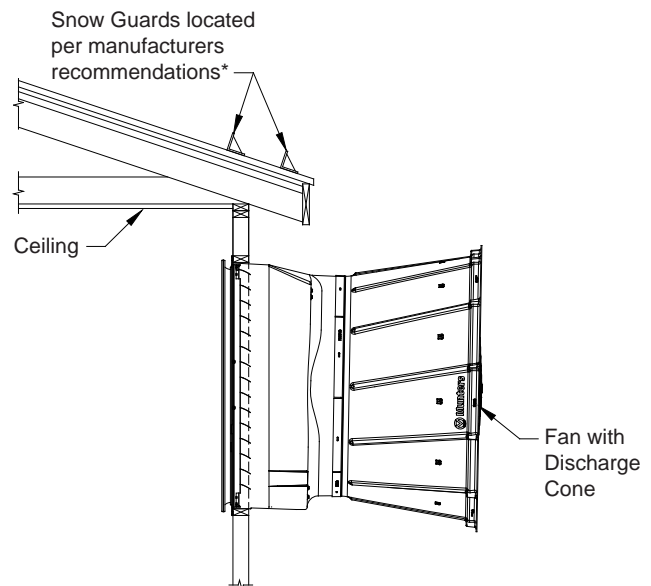


Figure 15

* Snow Guard Suppliers

Company Name	Phone No.	Fax No.	Web Site
Snojax, Inc.	800-766-5291	717-697-2452	www.snojax.com
Polar Blox	800-298-4328	814 629-9090	www.polarblox.com
LM Curbs	800-284-1412	903 759-3598	www.lmcurbs.com
Alpine Snow Guards	888-766-4273	888-766-9994	www.alpinesnowguards.com

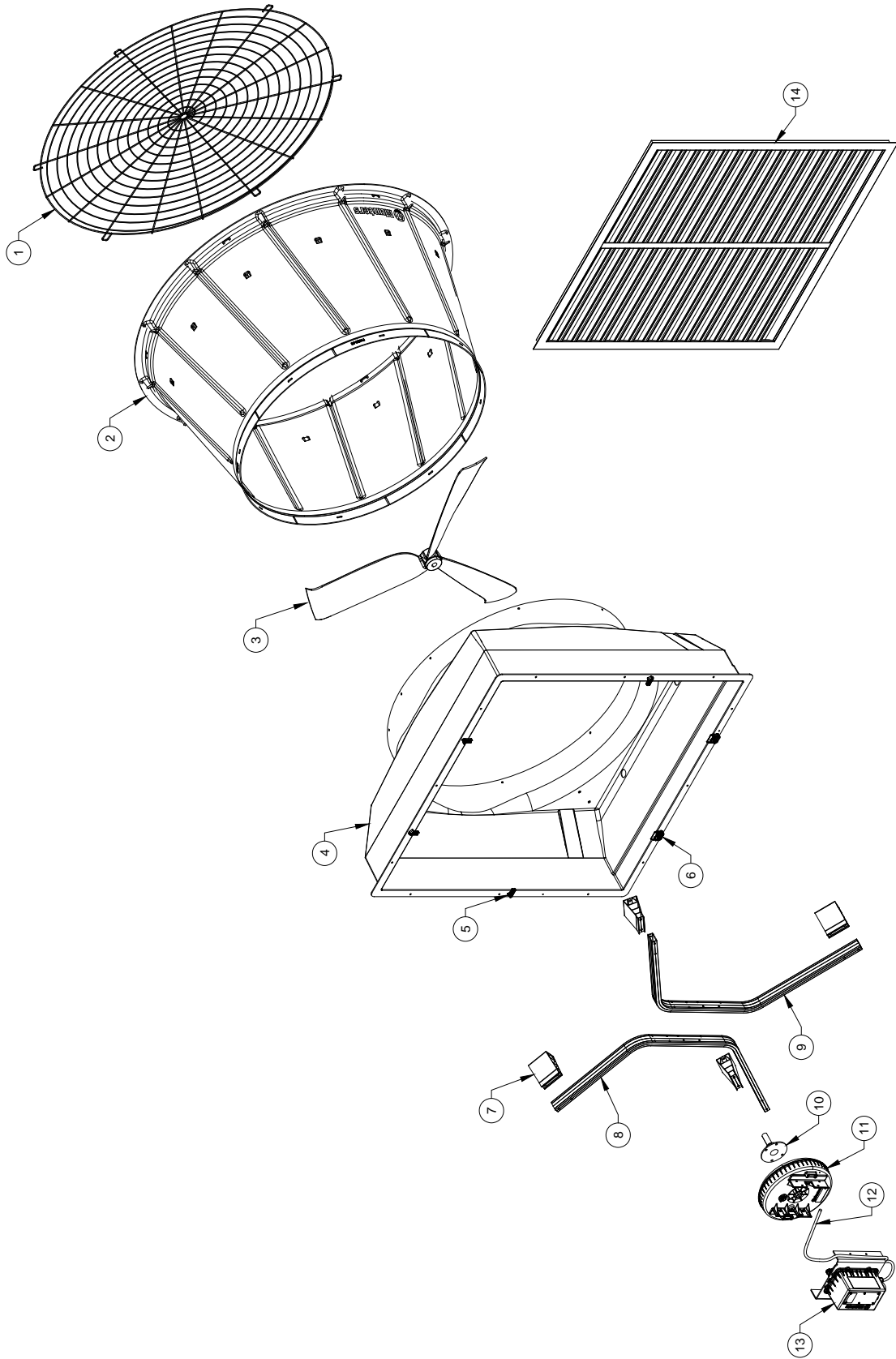
⚠ IMPORTANT

Munters Product and System Warranties do not cover cone or fan damage from external sources.

Note: Snow guards are designed to prevent sudden, dangerous snow and ice slides when attached to the building roof according to manufacturers recommendations. The supplier listing above is given as a reference only. Munters does not endorse any specific snow guard product and no performance warranty is implied.

Exploded view

7.



Item	Catalog Number		Part Number / Description	Qty.
	36"	48"		
	VX36DFxx-Hx	VX48DFxx-Hx		
1	FH4736	FH4748	Guard Kit, One Piece Cone, PVC ETD	1
2	FH3536	FH3548	Discharge Cone, Plastic, (1) Piece	1
3	FP1014SS	FP1016SS	Propeller	1
4	FH2136A	FH2148A	Fan Housing, Fiberglass	1
5	FH1968	FH1968	Pivoting Shutter Clip, PL	4
6	FH1967	FH1967	Fixed Shutter Clip, PL	2
7	FH2808	FH2808	Strut, Spacer, Munters Drive, AL	4
8	FH3737	FH3749	Right Tubular Strut, H-Type, Munters Drive, AL	1
9	FH3736	FH3748	Left Tubular Strut, H-Type, Munters Drive, AL	1
10	FP2064	FP2064	Hub, Prop Adaptor, 1" Dia. Steel	1
11	Various*	Various*	Motor for Munters Drive, Less Controller	1
12	KE2535	KE2535	Cable, Power, 1hp Munters Drive Controller, 16/3, 144"L	1
	KE2536	KE2536	Cable, Power, 3hp Munters Drive Controller, 16/4, 144"L	1
13	Various*	Various*	Controller, AT Munters Drive	1
14	PZ36	PZ48	Shutter, All Plastic	1

*Contact Office for replacement part numbers for your fan configuration.

VX36 & VX48 Munters Drive Fan is developed and produced by Munters Corporation, Lansing Michigan U.S.A. 1-800-227-2376



Munters Europe AB, Isafjordsgatan 1, P.O. Box 1150, SE-164 26 Kista, Sweden. Phone +46 08 626 63 00, Fax +46 8 754 56 66.

Munters Corporation 2691 Ena Drive, Lansing, MI 48917 U.S.A. Phone +1 800-227-2376, Fax +1 517-676-7078

www.munters.us

Australia Munters Pty Limited, Phone +61 2 6025 6422, **Brazil** Munters Brasil Industria e Comercio Ltda, Phone +55 41 3317 5050, **Canada/US** Munters Corporation Lansing MI Phone +1 517 676 7070, **China** Munters Air Treatment Equipment (Beijing) Co. Ltd, Phone +86 10 80 481 121, **Denmark** Munters A/S, Phone +45 9862 3311, **India** Munters India, Phone +91 20 3052 2520, **Indonesia** Munters, Phone +62 818 739 235, **Italy** Munters Italy S.p.A., Chiusavecchia, Phone +39 0183 52 11, **Japan** Munters K.K., Phone +81 3 5970 0021, **Korea** Munters Korea Co. Ltd., Phone +82 2 761 8701, **Mexico** Munters Mexico, Phone +52 818 262 54 00, **Russia** Munters AB, Phone +7 812 448 5740, **Singapore** Munters Pte Ltd., Phone +65 744 6828, **South Africa and Sub-Sahara Countries** Munters (Pty) Ltd., Phone +27 11 997 2000, **Spain** Munters Spain S.A., Phone +34 91 640 09 02, **Sweden** Munters AB, Phone +46 8 626 63 00, **Thailand** Munters Co. Ltd., Phone +66 2 642 2670, **Turkey** Munters Form Endüstri Sistemleri A.Ş., Phone +90 322 231 1338, **USA** Munters Corporation, Lansing MI Phone +1 517 676 7070, **Vietnam** Munters Vietnam, Phone +84 8 3825 6838, **Export & Other countries** Munters Italy S.p.A., Chiusavecchia Phone +39 0183 52 11