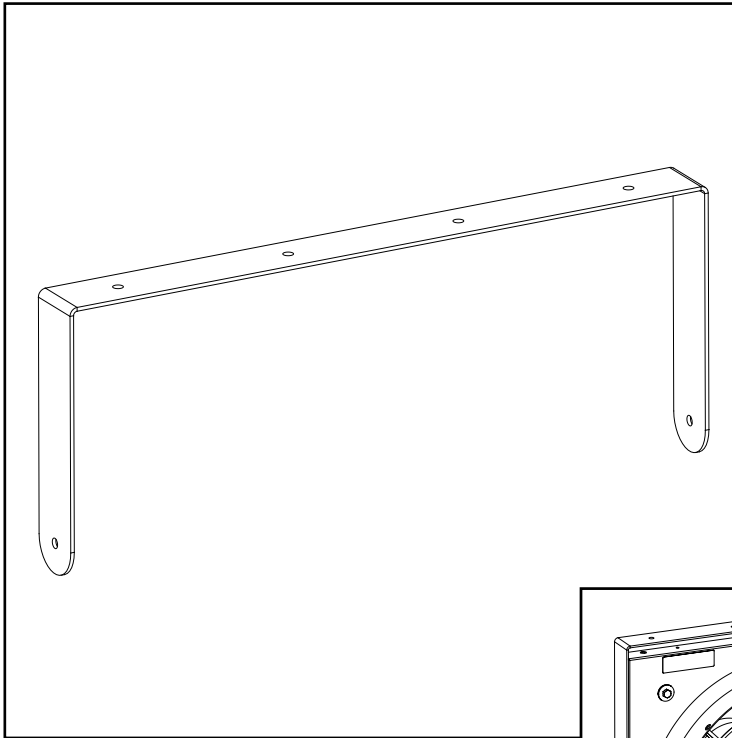
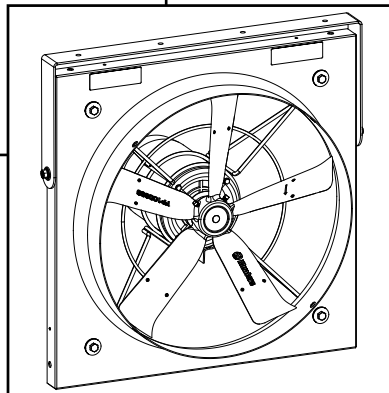


Instruction Manual

Aerotech Hanging Kit for AT18G Circulation Fan



Hanging Kit



Hanging Kit with AT18G

Hanging Kit for AT18G

Models: FH1319

Hanging Kit for AT18G

Instructions for Use and Maintenance

Thank You:

Thank you for purchasing a Munters FH1319 Hanging Kit. Munters equipment is designed to be the highest performing, highest quality equipment you can buy. With the proper installation and maintenance it will provide many years of service.

Please Note:

To achieve maximum performance and ensure long life from your Munters product it is essential that it be installed and maintained properly. Please read all instructions carefully before beginning installation.

Warranty:

For Warranty claims information see the “Warranty Claims and Return Policy” form QM1021 available from the [Munters Corporation office at 1-800-227-2376](#) or by e-mail at aghort.info@munters.com.

Conditions and Limitations:

- Products and Systems involved in a warranty claim under the “Warranty Claims and Return Policy” shall have been properly installed, maintained and operated under competent supervision, according to the instructions provided by Munters Corporation.
- Malfunction or failure resulting from misuse, abuse, negligence, alteration, accident or lack of proper installation or maintenance shall not be considered a defect under the Warranty.

Index

Chapters	Page
1. Unpacking the Equipment	4
1.1 Parts List	4
1.2 Dimensions	5
2. Installation Instructions	6
2.1 Installation	6

Unpacking the Equipment

1.

Before beginning installation, check the overall condition of the equipment. Remove packing materials, and examine all components for signs of shipping damage. Any shipping damage is the customer's responsibility and should be reported immediately to your freight carrier.

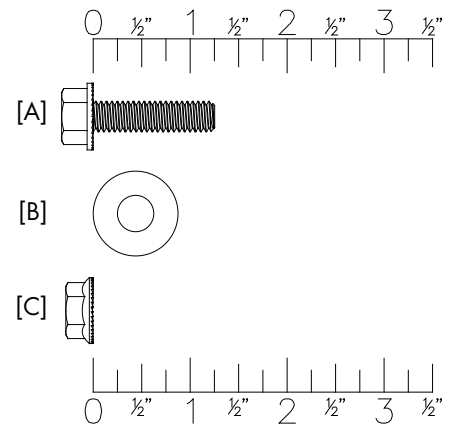
1.1 Parts List

Each FH1319 includes:

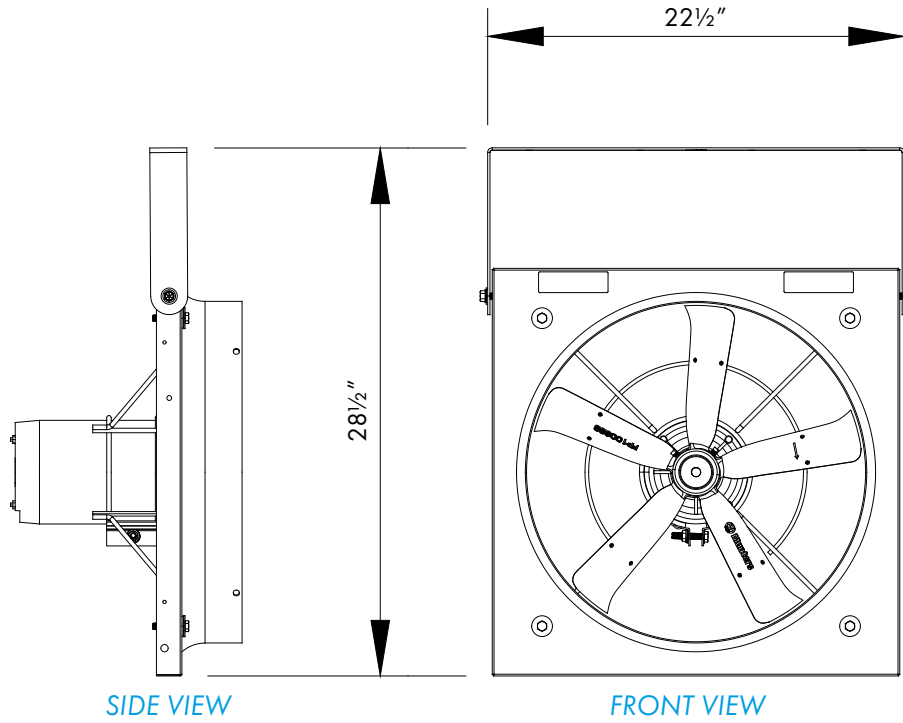
- 1 - Hanger Bracket, GZ
- 1 - Hardware Package as follows:

HP1193 - FH1319 Hanging Kit

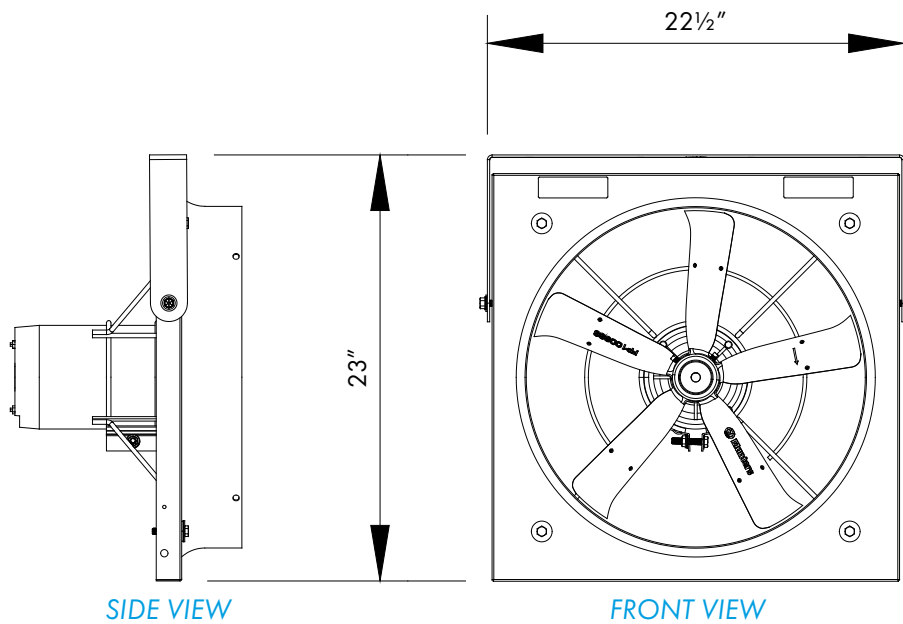
ID	Qty.	Cat. No.	Description
[A]	2	KS1167	5/16"-18 x 1.25" SRTD HX Flange Bolt, ZP
[B]	4	KW3005	5/16" Flat Washer, Type A, Narrow, ZP
[C]	2	KN0706	5/16"-18 Serrated Flange Hex Nut, ZP



1.2 Dimensions



Lower Hanging Fan/Bracket



Higher Hanging Fan/Bracket

Installation Instructions

2.

2.1 Installation

Step 1

Rotate fan so the holes in the top flange of Hanger Bracket are accessible and attach Bracket and Fan to ceiling or truss using (4) Screws (not provided). Make sure screws go into solid surface to hold fan. See Figure 1.

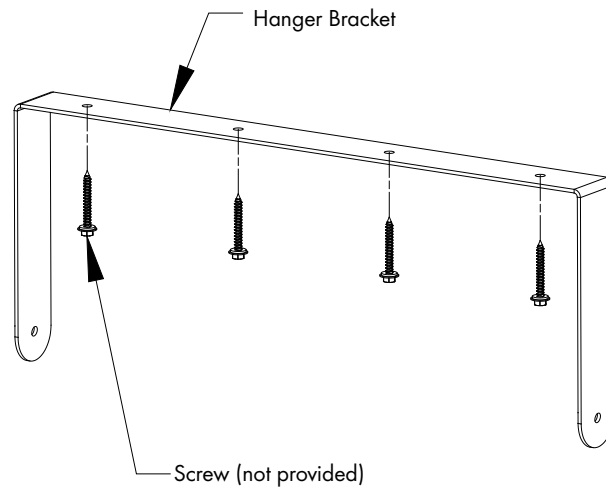


Figure 1

Step 2

Use the upper hole in the side flange of the fan to mount the fan lower or use the lower hole in the side flange to mount the fan higher. See Figure 2. If your fan does not have the lower mounting hole, drill an $1\frac{1}{32}$ " hole, 7" down from top flange of fan.

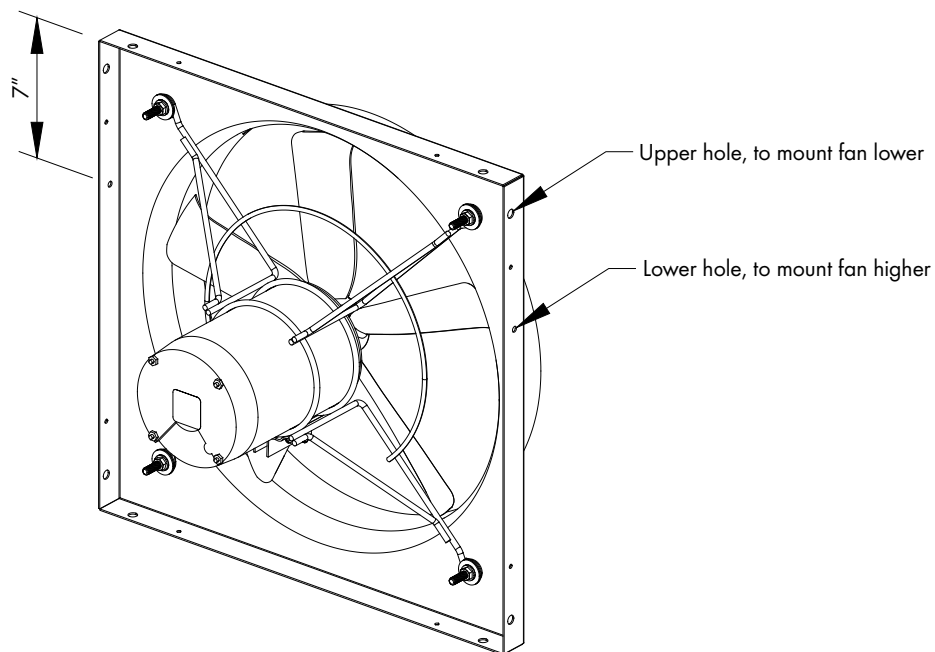
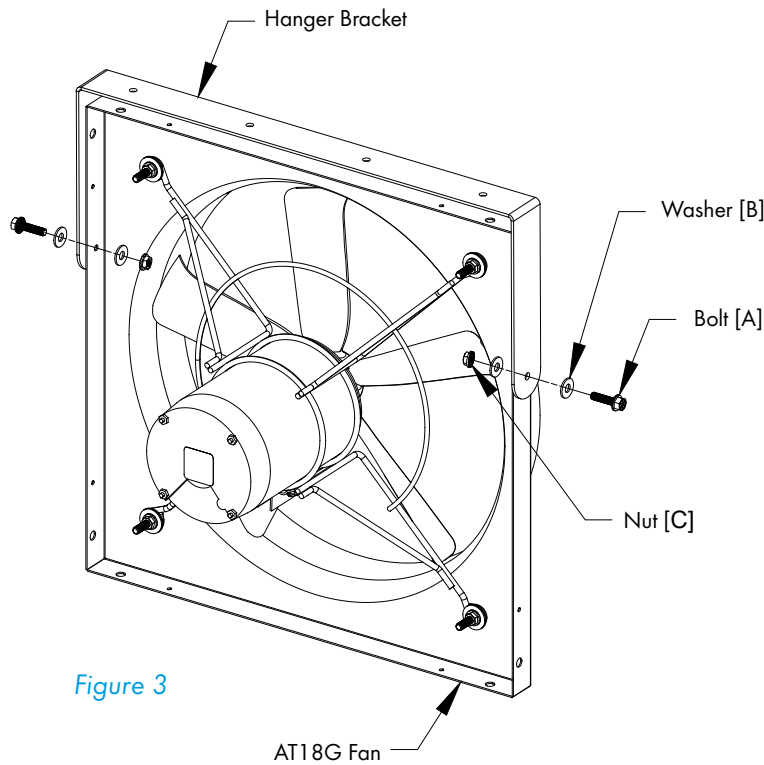


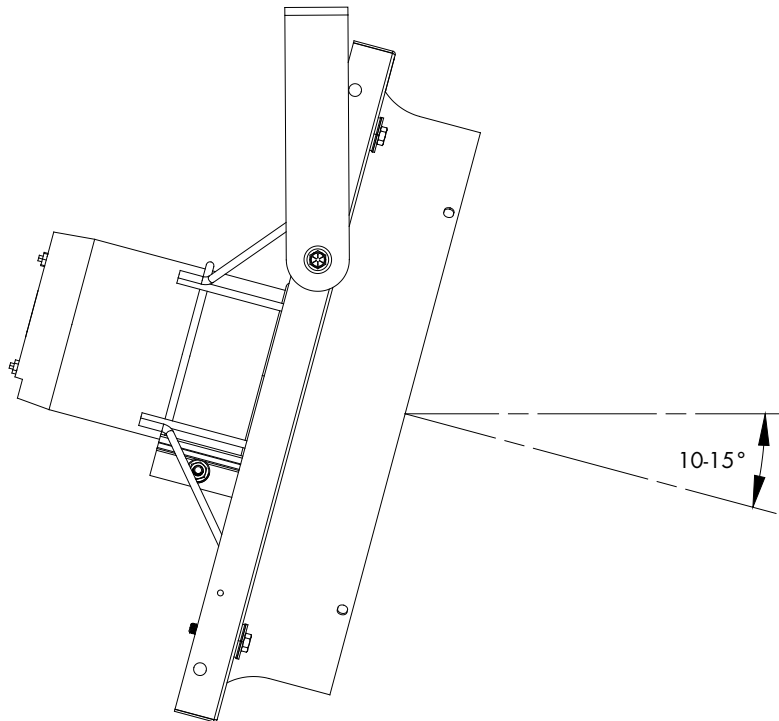
Figure 2

Step 3

Place the Hanger Bracket over the top of the fan so that the hole in the side arms line up with the desired hole in the side flange of fan and attach with (2) Bolts [A], (4) Washers [B] and (2) Nuts [C]. *See Figure 3.* DO NOT FULLY TIGHTEN, fan must be able to rotate.

**Figure 3****Step 4**

Rotate fan to desired angle for airflow. Tighten bolts holding fan to bracket to keep fan at desired angle. *See Figure 4.* The standard angle is 10-15°.

**Figure 4**

Hanging Kit for AT18G Fan is developed and produced by Munters Corporation, Lansing, Michigan U.S.A. 1-800-227-2376



Munters Europe AB, Isafjordsgatan 1, P.O. Box 1150, SE-164 26 Kista, Sweden. Phone +46 08 626 63 00, Fax +46 8 754 56 66.

Munters Corporation 2691 Ena Drive Lansing, MI 48917 U.S.A. Phone +1 800-227-2376, Fax +1 517-676-7078

www.munters.us

[Australia](#) Munters Pty Limited, Phone +61 2 6025 6422, [Brazil](#) Munters Brasil Industria e Comercio Ltda, Phone +55 41 3317 5050, [Canada/US](#) Munters Corporation Lansing, MI Phone +1 517 676 7070, [China](#) Munters Air Treatment Equipment (Beijing) Co. Ltd, Phone +86 10 80 481 121, [Denmark](#) Munters A/S, Phone +45 9862 3311, [India](#) Munters India, Phone +91 20 3052 2520, [Indonesia](#) Munters, Phone +62 818 739 235, [Italy](#) Munters Italy S.p.A., Chiusavecchia, Phone +39 0183 52 11, [Japan](#) Munters K.K., Phone +81 3 5970 0021, [Korea](#) Munters Korea Co. Ltd., Phone +82 2 761 8701, [Mexico](#) Munters Mexico, Phone +52 818 262 54 00, [Russia](#) Munters AB, Phone +7 812 448 5740, [Singapore](#) Munters Pte Ltd., Phone +65 744 6828, [South Africa and Sub-Sahara Countries](#) Munters (Pty) Ltd., Phone +27 11 997 2000, [Spain](#) Munters Spain S.A., Phone +34 91 640 09 02, [Sweden](#) Munters AB, Phone +46 8 626 63 00, [Thailand](#) Munters Co. Ltd., Phone +66 2 642 2670, [Turkey](#) Munters Form Endüstri Sistemleri A.Ş, Phone +90 322 231 1338, [USA](#) Munters Corporation Lansing, MI Phone +1 517 676 7070, [Vietnam](#) Munters Vietnam, Phone +84 8 3825 6838, [Export & Other countries](#) Munters Italy S.p.A., Chiusavecchia Phone +39 0183 52 11