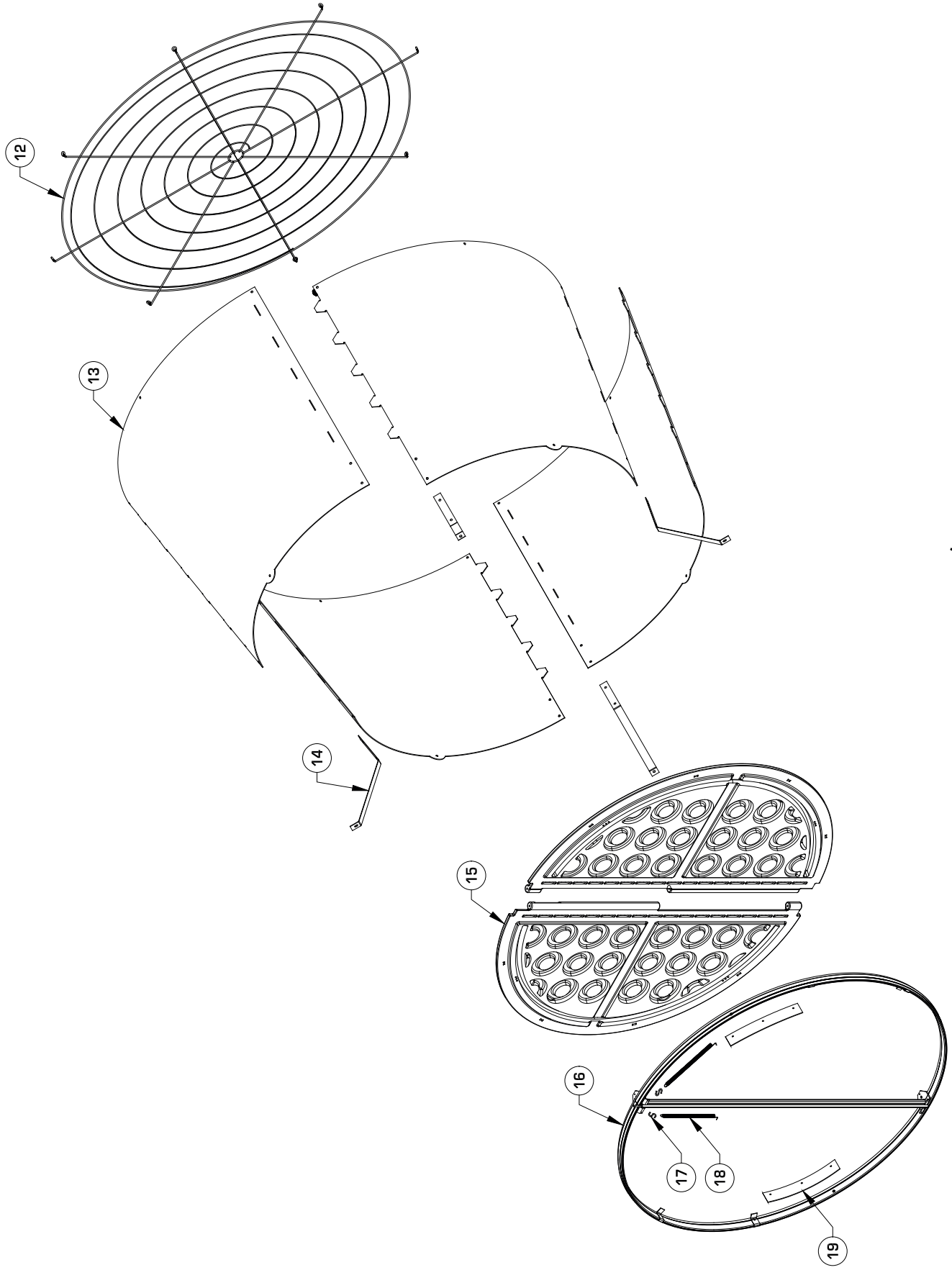


Fan Components



Damper/Cone Components

Catalog No.			
Item	WM54DK	Part Name/Description	Qty.
1	FH1654	Orifice Panel, FG	1
2	FP2454	Prop Assembly, 3-blade, GZ	1
3	Various*	Motor for Munters Drive, less controller	1
4	FH1990	Strut Brace, 39.19"L, PWDCTD	1
5	KE2535	Cable, Power, 1ph Munters Drive Controller, 16/3,144"L	1
	KE2536	Cable, Power, 3ph Munters Drive Controller, 16/4,144"L	1
6	Various*	Controller, WM Munters Drive	1
7	FH1968	1-Hole Pivoting Shutter Clip, BLK PL	8
8	FH1341	Inlet Guard, 2" x 2" mesh, GZ	1
9	FH1675	Tube Strut, Center, PWDCTD	1
10	FH1659	Drip Shield Plate, AL	1
11	FH1980	Cone/Strut Mounting Bracket, GZ	4
12	FH6454	Outlet Guard, Round, CTD BLK	1
13	FH4655	Discharge Cone with Tabs, PL	4
14	FH2431	Cone Support Bracket, GC type, GZ	4
15	FA2054	Door Assembly w/ Latch, PL	1
16	FA2854	Main Frame Assembly, AL	1
17	KX1059	1" S-Hook, 1/16" Wire, SS	2
18	KX1466	Tension Spring, 0.5"OD x 10.8"L, SS	2
19	FH1365	Wing Add-on Kit, 2 Wings w/ Hardware	1

\*Contact office for replacement part numbers for your fan configuration.